

# Sun Sensor

animeo Solo

animeo IB+

animeo IP

animeo KNX

animeo LON

SOLUTIONS FOR BUILDING CONTROL



Ref. 9050100

Sun sensor for the measuring of luminosity in connection with the Outside Sensor Box (ref. 9001606).

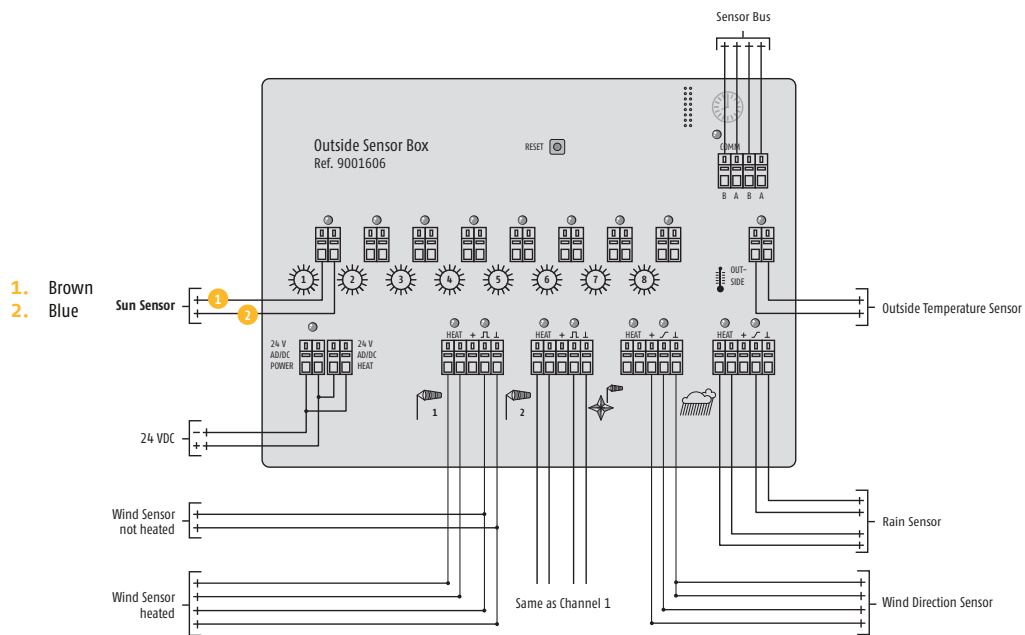
Measurement output is displayed in Lux in the animeo building control solutions.

## Installation advantages

- > Small unique design to allow the integration directly on the outside of the façade.
- > Complete pack including the sun sensors and brackets as well available (ref. 9 127 888).
- > Spring clamp connectors for save and solid wiring to the Outside Sensor Box.

## Functional advantages

- > Take the luminosity of an angle of 150° into account.
- > Up to max. 8 sun sensors can be used in combination with the Outside Sensor Box (ref. 9001606) to cover 8 individual façade orientations.



## CHARACTERISTICS

<b>Dimensions</b>	34 × 88 × 47 mm
<b>Degree of protection</b>	IP 43
<b>Wiring recommendations</b>	2 × 0.8 mm <sup>2</sup>
<b>Angle position</b>	150°
<b>Weight</b>	42 g
<b>Mounting bracket for Sun Sensor</b>	ref. 9127888
<b>Complete pack</b>	ref. 9154043
<b>Conformity</b>	<a href="http://www.somfy.com/ce">www.somfy.com/ce</a>