

## Product data sheet



### Product features

- Awning with folding arms or optionally with Trilliant telescopic arms – a world first
- Exceptionally robust design thanks to forged components and Tenara sewing thread for the fabric
- Modular and expandable awning line
- Individually configurable
- Compact, harmonious and timeless design
- With windlock mechanism
- Optionally selectable: Valance or Lowerable Volant-Plus with gearbox or motor (24 V)
- Optionally selectable: Top board with wall attachment and / or protective sleeve
- Optional and modular: Integrated LED light under the mounting bar and / or in the front bar
- Internal and external water drainage channels for the thicker front bars

### Dimensions

- S6600: Width min. 200 cm, max. 700 cm  
Projection min. 150 cm, max. 400 cm
- S6800: Width min. 200 cm, max. 1800 cm  
Projection min. 150 cm, max. 400 cm
- S6800/P: Width min. 200 cm, max. 600 cm  
Projection min. 150 cm, max. 400 cm
- The dimension options depend on the product configuration

### Installation method and slope

- Installation on the wall or under the ceiling
- Installation on rafters
- S6600/S6800, 0° – 60° slope
- S6800/P, 0° – 45° slope, max. 30° for projection > 3 m

### Wind resistance

- Beaufort 5 (38.5 km/h)  
The wind resistance class may vary depending on the design and dimensions

### Drive system / control

- Motor drive
- Optional for width up to 6 m: Gearbox with crank handle (only for folding arms)
- Operation optionally via wired switch, radio remote control, smart-home systems (e.g. KNX, TaHoma)
- Optional automatic system with sun, wind and rain sensor

### Frame colours

- STOBAG Classic Colours C10 (RAL 9016), C12 (RAL 9010), C28 (RAL 9006), C30 (RAL 9007), C34 (DB703), C48 (RAL 7022), C50 (RAL 7016), C52 (RAL 9005)
- Optional colours: Lifestyle (matt and textured) and Rainbow

### Fabric

- Acrylic and Oeko Weave
- Soltis Lounge 96, microperforated
- Water and Fire
- Lowerable Volant-Plus: Acrylic / Soltis Horizon 86 / Soltis Harmony 88 / Soltis Perform 92 / Screens 1% / Screens 5% / Twilight / Water / Fire

### Lighting

- Optional LED light at the front in the front bar, with dimmer function
- Optional LED light attached at the rear on the mounting bar, with dimmer function

### Certificates / Awards



EN 13561

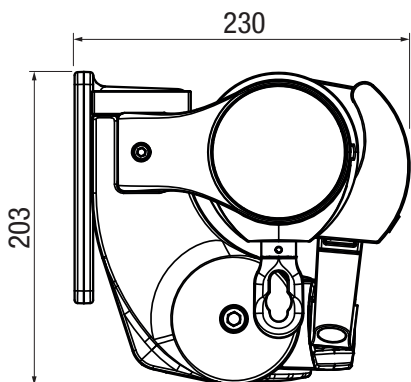


reddot winner 2024

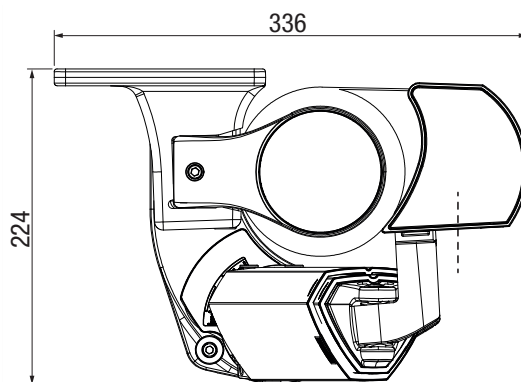
### Warranty

- 5 years  
Manufacturer's warranty 2 years, with the option to extend by an additional 3 years

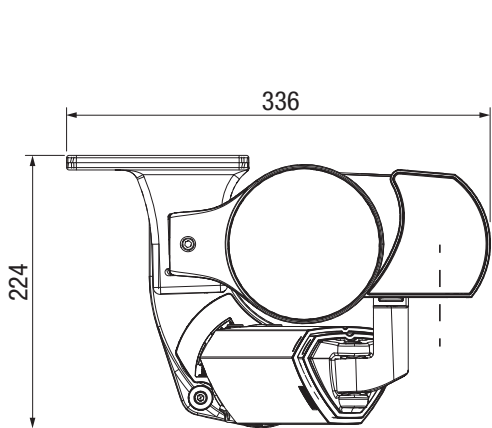
Technical data (dimensions in mm)



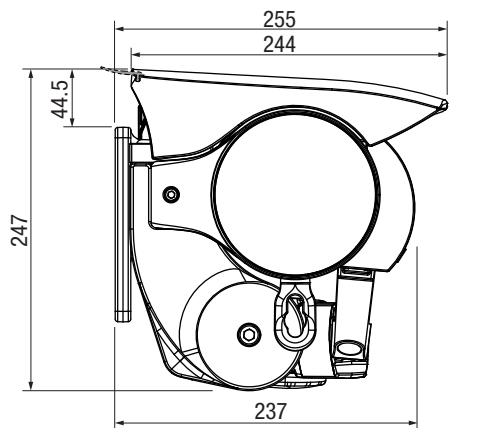
S6600  
Wall mounting



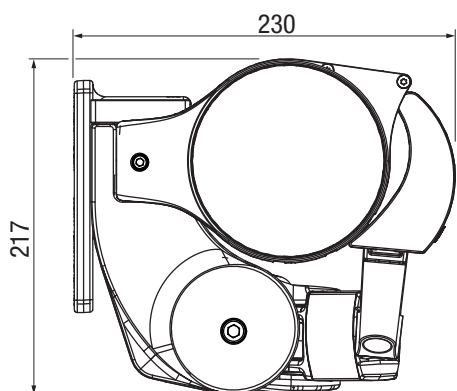
S6600  
Ceiling installation



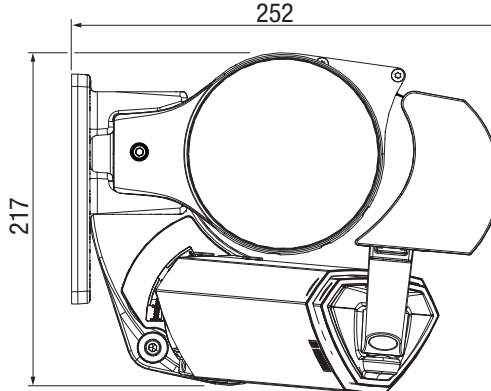
S6800  
Ceiling installation



S6800  
Wall mounting  
with canopy S630



S6800/P  
Wall mounting



S6800/P  
With S631-2 narrow wall bracket  
and reinforced drop profile S624