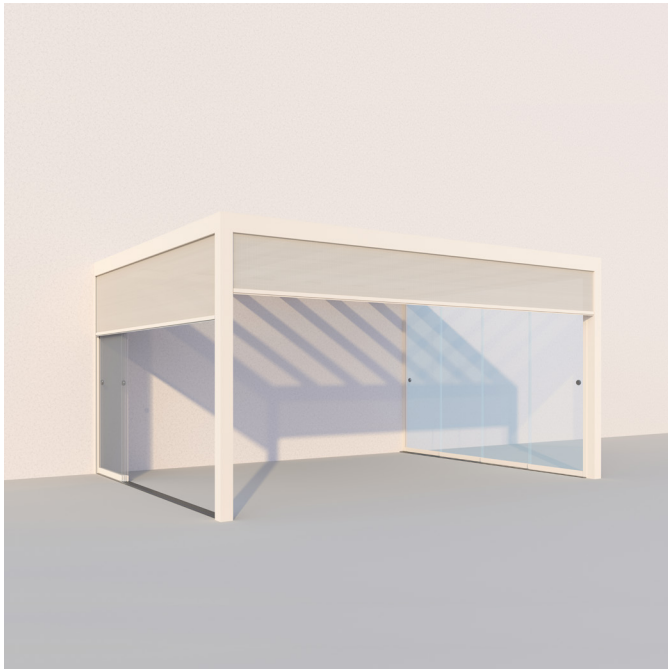


Product data sheet



Product features

- Cubic glass roof with no visible slope
- Laminated safety glass 10 or 12 mm
- Patented wall connection and glass insert
- Integrated water drainage through the supports
- Optional roof shading as underglass or overglass shading
- Optional integrated lighting, power outlet
- Optional and modular integrated side and front glazing and side shades

Dimensions

- Width min. 100 cm, max. 700 cm
- Projection min. 100 cm, max. 450 cm

Height

- Min. 64 cm, max. 290 cm

Installation method and slope

- Installation on the wall, 0° slope

Roof load

- 85 to 450 kg/m²

Drive system / control

- Motor drive
- Operation optionally via wired switch, radio remote control, smart-home systems (e.g. KNX, TaHoma)
- Optional automatic system with sun, wind and rain sensor

Frame colours

- STOBAG Classic Colours C10 (RAL 9016), C12 (RAL 9010), C28 (RAL 9006), C30 (RAL 9007), C34 (DB703), C48 (RAL 7022), C50 (RAL 7016), C52 (RAL 9005)
- Optional colours according to the STOBAG LIFESTYLE or RAINBOW colour palette

Fabric

- Side / front shades: Soltis Horizon 86, Soltis Harmony 88, Soltis Perform 92, Screens 1%, Screens 5%, Twilight
- Overglass shading: Acrylic
- The application options depend on the specific product configuration

Lighting

- Optional LED strips with dimmer function (2700 – 5000 K) and Tunable White or LED spots (optionally: 2700 / 3000 / 4000 K)
- Colour temperature: Optionally between 2700 and 5000 K
- Luminous flux: 960 lm

Certificates / Awards



EN 13561



EN 1090-1

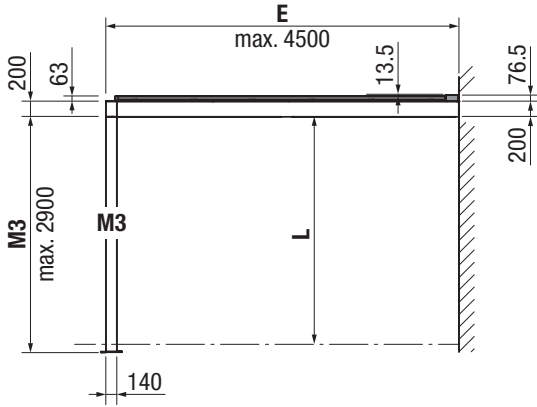


reddot winner 2022

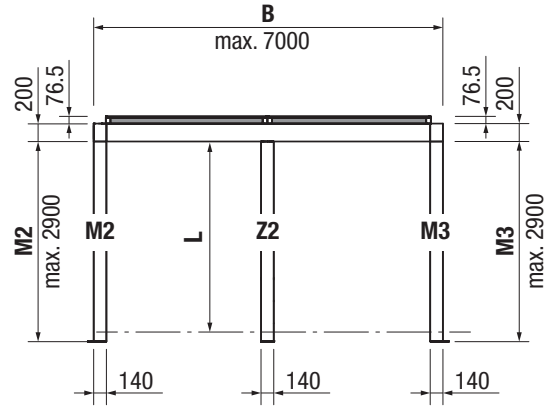
Warranty

- 5 years
- Manufacturer's warranty 2 years, with the option to extend by an additional 3 years

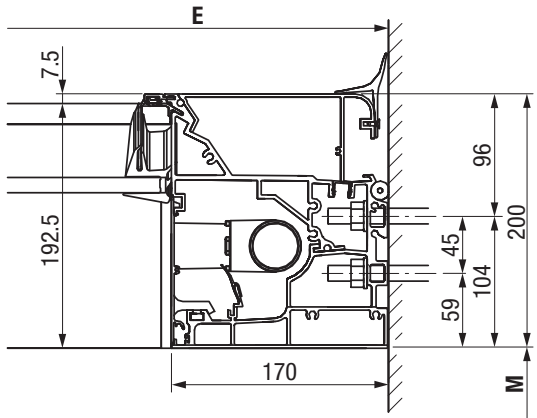
Technical data (dimensions in mm)



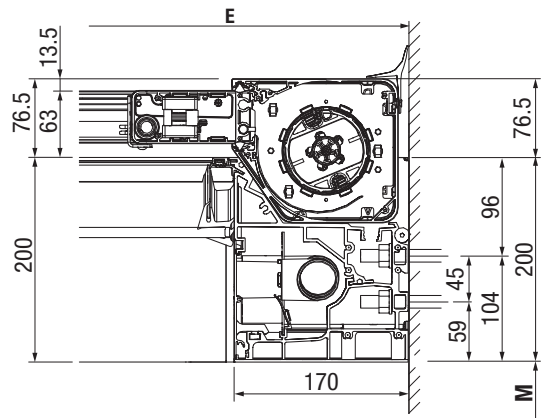
GP8000
Side view of ARNEX PS8000



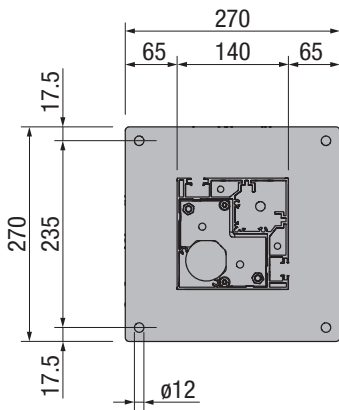
GP8000
Front view of ARNEX PS8000



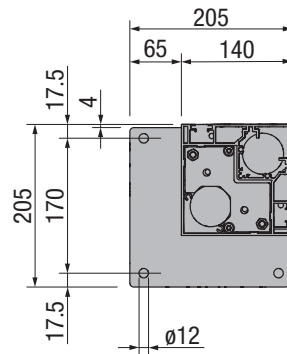
GP8000
Wall fittings



GP8000
Wall connection with ARNEX PS8000



GP8000
Standard base plate



GP8000
Base plate (corner model)