

Product data sheet



Product features

- Awning for large conservatories
- Guide rails infinitely adjustable inwards up to 100 cm
- Self-supporting box
- Extra-long projection for optimal front shading
- Cables and plugs can be stowed in the side cover

Dimensions

- PS6000: Width min. 100 cm, max. 700 cm
Projection min. 110 cm, max. 700 cm
- PS6100 Plus: Width min. 100 cm, max. 700 cm
Projection min. 185 cm, max. 700 cm
Choice of extra-long projection 60 cm, 100 cm, 140 cm

Installation method and slope

- Horizontal on conservatory / structure, 3° – 35° slope

Wind resistance

- Beaufort 6 (49.5 km/h)

Drive system / control

- Motor drive
- Operation optionally via wired switch, radio remote control, smart-home systems (e.g. KNX, TaHoma)
- Optional automatic system with sun, wind and rain sensor

Frame colours

- STOBAG Classic Colours C10 (RAL 9016), C12 (RAL 9010), C28 (RAL 9006), C30 (RAL 9007), C34 (DB703), C48 (RAL 7022), C50 (RAL 7016), C52 (RAL 9005)
- Optional colours according to the STOBAG LIFESTYLE or RAINBOW colour palette

Fabric

- Acrylic, Water, Fire
- The application options depend on the specific product configuration

Certificates / Awards

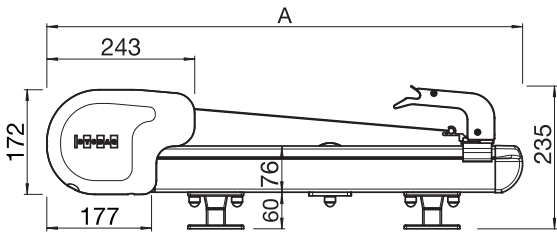


EN 13561

Warranty

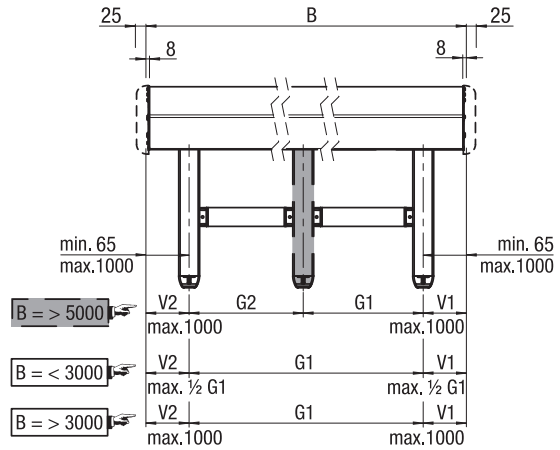
- 5 years
Manufacturer's warranty 2 years, with the option to extend by an additional 3 years

Technical data (dimensions in mm)



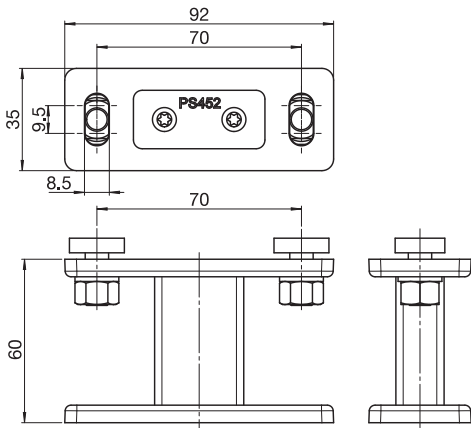
PS6000

Installation on sub-construction
A = Projection



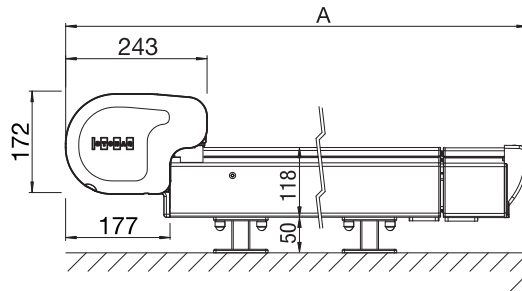
PS6000

B = Total width (without PS619/.)



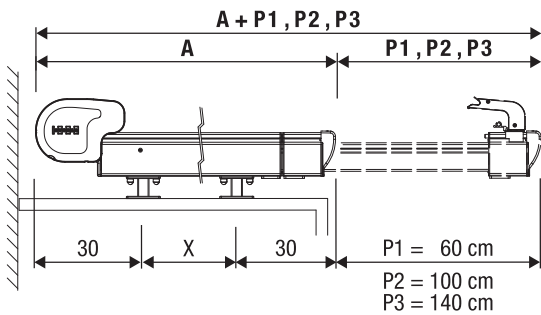
PS6000

PS601/1
Bracket



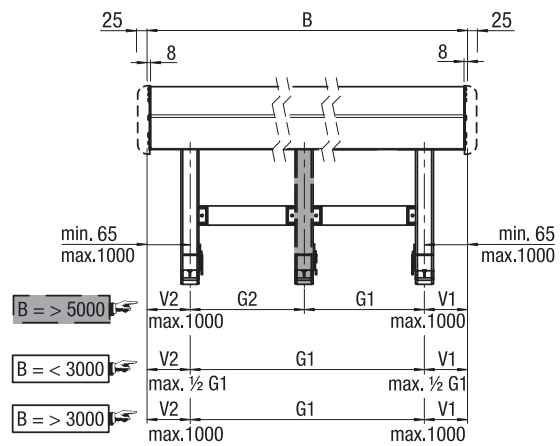
PS6100 Plus

A Projection fix; **P1** Projection Plus 60 cm (min. A = 125 cm); **P2** Projection Plus 100 cm (min. A = 205 cm); **P3** Projection Plus 140 cm (Min. A = 243 cm)



PS6100 Plus

Extended



PS6100

B = Total width (without PS619/.)