

SELECT

Product data sheet

Open awnings
S8130
S8135 Ombramatic
S8133 Plus



Product features

- Awning with folding arms
- Triangular mounting bar technology
- Flexible bracket positioning
- Ombramatic model with manual slope adjustment
- With windlock mechanism
- Optionally selectable: Top board
- Optionally selectable: Valance or Lowerable Volant-Plus

Dimensions

- S8130: Width min. 160 cm, max. 1800 cm
Projection min. 140 cm, max. 350 cm
- S8135 Ombramatic: Width min. 160 cm, max. 600 cm
Projection min. 140 cm, max. 350 cm
- S8133 Plus: Width min. 115 cm, max. 775 cm
Projection min. 150 cm, max. 350 cm

Installation method and slope

- Installation on the wall
- Installation under the ceiling
- Installation on rafters
- 0° – 60° slope

Wind resistance

- Beaufort 5 (38.5 km/h)
The wind resistance class may vary depending on the design and dimensions

Drive system / control

- Motor drive
- Optional for width up to 6 metres: Gearbox with crank handle
- Operation optionally via wired switch, radio remote control, smart-home systems (e.g. KNX, TaHoma)
- Optional automatic system with sun, wind and rain sensor

Frame colours

- STOBAG Classic Colours C10 (RAL 9016), C12 (RAL 9010), C28 (RAL 9006), C30 (RAL 9007), C34 (DB703), C48 (RAL 7022), C50 (RAL 7016), C52 (RAL 9005)
- Optional colours: Lifestyle (matt and textured) and Rainbow

Fabric

- Acrylic and Oeko Weave
- Water
- Fire
- Lowerable Volant-Plus:
Acrylic / Soltis Horizon 86 / Soltis Harmony 88 / Soltis Perform 92 / Screens 1% / Screens 5% / Twilight / Water / Fire

Certificates / Awards

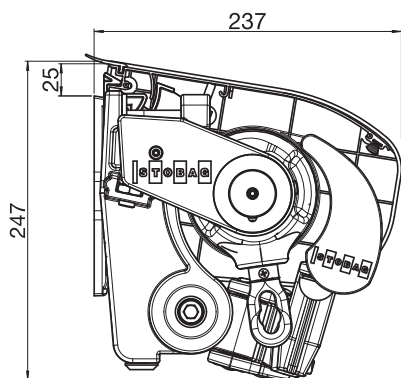


EN 13561

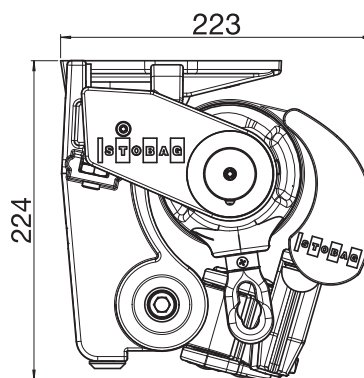
Warranty

- 5 years
Manufacturer's warranty 2 years, with the option to extend by an additional 3 years

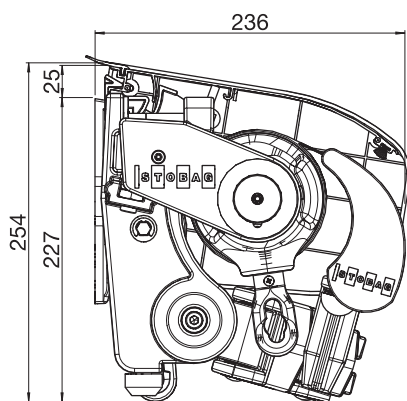
Technical data (dimensions in mm)



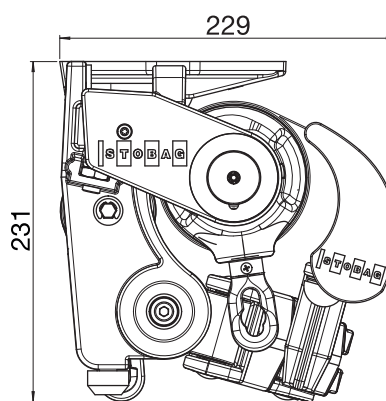
S8130
Wall installation with top board
S877/2 and front rail S894



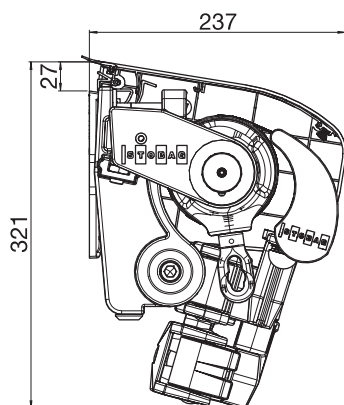
S8130
Top installation



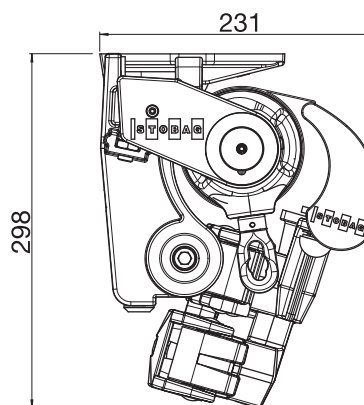
S8135 Ombramatic
Wall installation



S8135 Ombramatic
Ceiling installation



S8133 Plus
Wall installation with top board



S8133 Plus
Top installation