

Product data sheet



Product features

- Pergola awning with folding awning
- Integrated water drainage through the supports
- Optional integrated lighting
- Optional integrated side and front glazing and side shades
- Optional top board

Dimensions

- Width min. 200 cm, max. 500 cm; up to max. 7 installations can be linked
- Projection min. 200 cm, max. 700 cm

Height

- Max. 350 cm; with corner reinforcement from 251 cm

Installation method and slope

- Installation on the wall, 8° – 25° slope

Wind resistance

- Beaufort 7 (61.5 km/h)

Drive system / control

- Motor drive
- Operation optionally via wired switch, radio remote control, smart-home systems (e.g. KNX, TaHoma)
- Optional automatic system with sun, wind and rain sensor

Frame colours

- STOBAG Classic Colours C10 (RAL 9016), C12 (RAL 9010), C28 (RAL 9006), C30 (RAL 9007), C34 (DB703), C48 (RAL 7022), C50 (RAL 7016), C52 (RAL 9005)
- Top board in grey (RAL 9006), white (RAL 9010) or black (RAL 9005); special colours optional on request
- Optional colours according to the STOBAG LIFESTYLE or RAINBOW Colours

Fabric

- Resistant, Resistant Blockout, Soltis W96
- Side / front shades: Soltis Horizon 86, Soltis Harmony 88, Soltis Perform 92, Soltis Veozip, Screens 1%, Screens 5%, Twilight

Lighting

- Optional LED strips (Tunable white) with dimmer function
- Colour temperature: 3500 K
- Luminous flux: 960 lm

Certificates / Awards

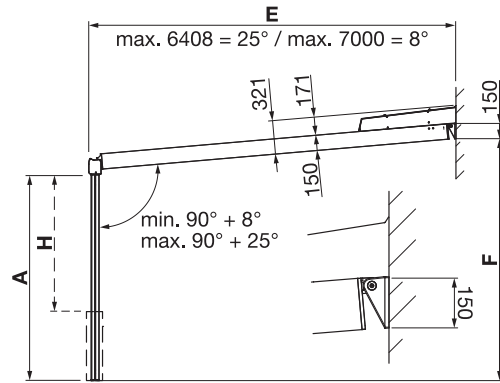
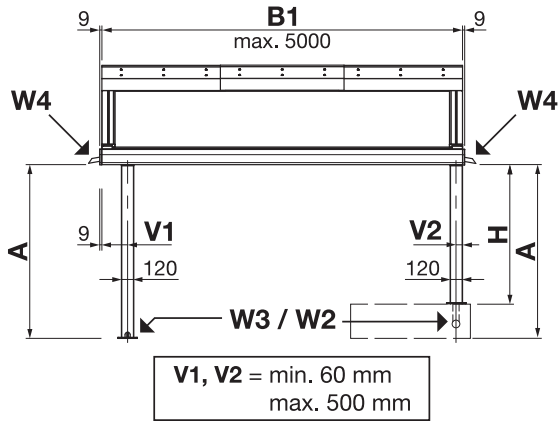


EN 13561

Warranty

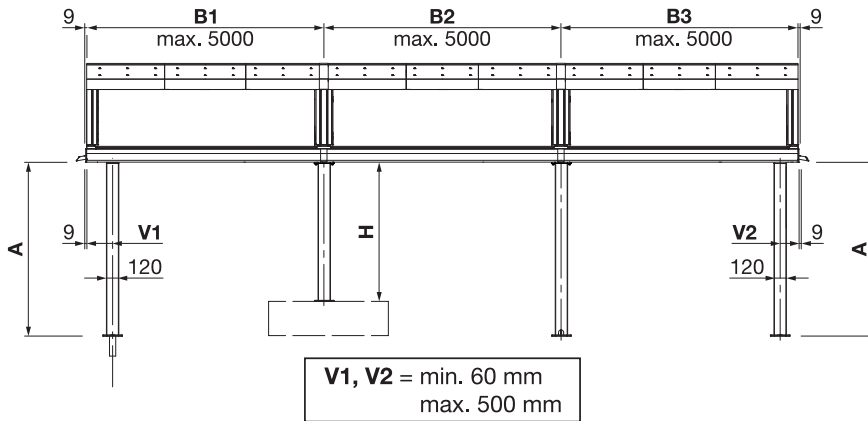
- 5 years
Manufacturer's warranty 2 years, with the option to extend by an additional 3 years

Technical data (dimensions in mm)

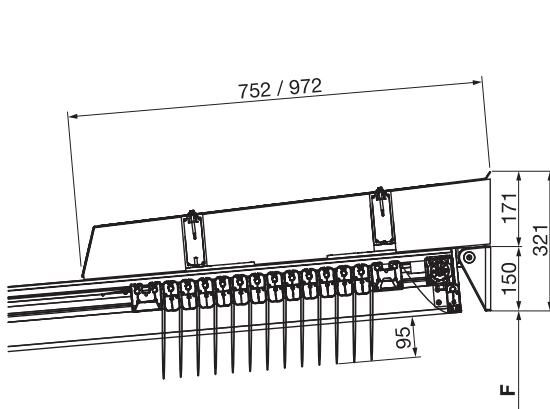


P5000
Front view 1 module

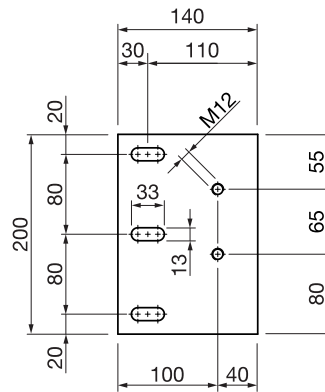
P5000
Side view wall mounting



P5000
Front view 3 modules coupled



P5000
Cover board: width of steel sheet 752 mm with a projection < 400 cm, 972 mm for projection = > 400 cm



P5000
Installation plate P521