

## Product data sheet



### Product features

- Box awning for very large patios up to 18 m total width and 4 m projection
- Patented, modular box connection system ensures maximum stability
- Flexible bracket positioning
- Optional: Drop valance up to max. 14 m, 2-piece if 7 m or more
- Optional: Cover profile as privacy screen on the fabric roller

### Dimensions

- Width min. 200 cm, max. 1800 cm
- Projection min. 150 cm, max. 400 cm

### Installation method and slope

- Installation on the wall
- Installation under the ceiling
- 0° – 40° slope

### Wind resistance

- Beaufort 5 (38.5 km/h)  
The wind resistance class may vary depending on the design and dimensions

### Drive system / control

- Motor drive
- Operation optionally via wired switch, radio remote control, smart-home systems (e.g. KNX, TaHoma)
- Optional automatic system with sun, wind and rain sensor

### Frame colours

- STOBAG Classic Colours C10 (RAL 9016), C12 (RAL 9010), C28 (RAL 9006), C30 (RAL 9007), C34 (DB703), C48 (RAL 7022), C50 (RAL 7016), C52 (RAL 9005)
- Optional colours: Lifestyle (matt and textured) and Rainbow

### Fabric

- Acrylic and Oeko Weave
- Water
- Fire
- Lowerable Volant-Plus:  
Acrylic / Soltis Horizon 86 / Soltis Harmony 88 / Soltis Perform 92 / Screens 1% / Screens 5% / Twilight / Water / Fire

### Certificates / Awards

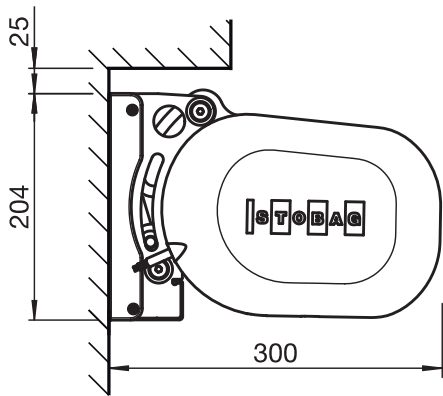


EN 13561

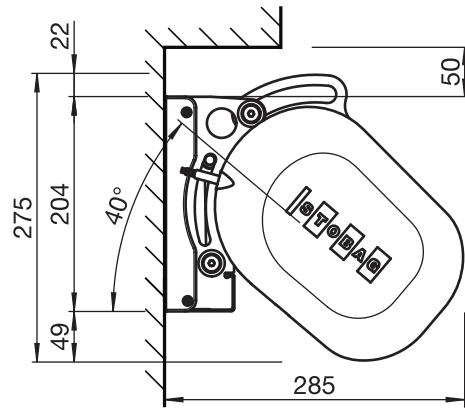
### Warranty

- 5 years  
Manufacturer's warranty 2 years, with the option to extend by an additional 3 years

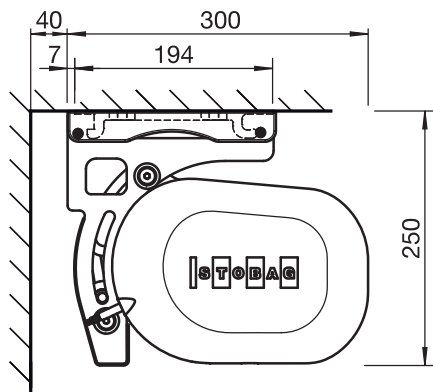
Technical data (dimensions in mm)



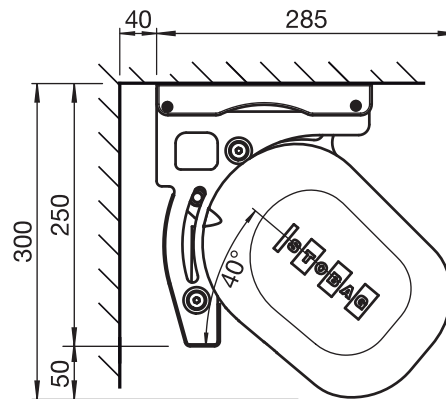
**BX8000**  
Wall installation



**BX8000**  
Wall installation 40°



**BX8000**  
Top installation



**BX8000**  
Top installation 40°