

Product data sheet



Product features

- Smallest protective box among the STOBAG box awnings; box height only 10 cm
- Rounded box
- Fabric and arms protected in the box when closed
- Simple, proven mounting system for attachment (time-saving installation)
- Optional wall connection profile prevents rainwater between facade and awning
- Optional: Console cover profile

Dimensions

- Width min. 185 cm, max. 500 cm
- Projection min. 150 cm, max. 225 cm

Installation method and slope

- Installation on the wall
- Installation under the ceiling
- Installation on rafters
- Awning slope adjustable from 0° to 90°

Wind resistance

- Beaufort 5 (38.5 km/h)
The wind resistance class may vary depending on the design and dimensions

Drive system / control

- Motor drive
- Optional: Gearbox with crank handle
- Operation optionally via wired switch, radio remote control, smart-home systems (e.g. KNX, TaHoma)
- Optional automatic system with sun, wind and rain sensor

Frame colours

- STOBAG Classic Colours C10 (RAL 9016), C12 (RAL 9010), C28 (RAL 9006), C30 (RAL 9007), C34 (DB703), C48 (RAL 7022), C50 (RAL 7016), C52 (RAL 9005)
- Optional colours: Lifestyle (matt and textured) and Rainbow

Fabric

- Acrylic
- Oeko Weave
- Fire

Certificates / Awards

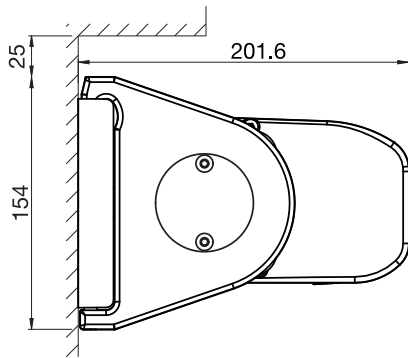


EN 13561

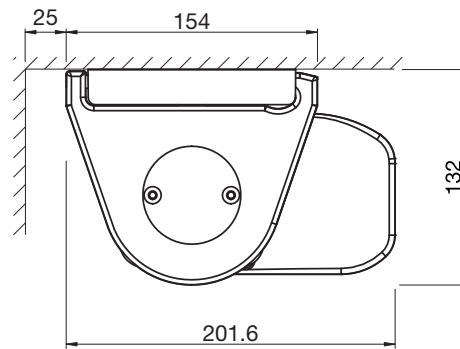
Warranty

- 5 years
Manufacturer's warranty 2 years, with the option to extend by an additional 3 years

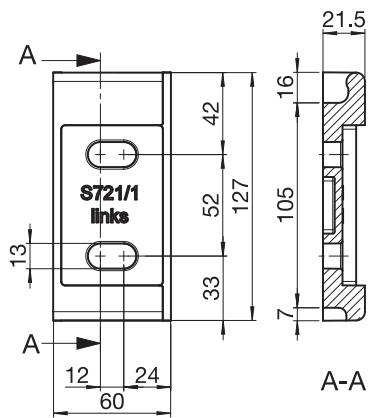
Technical data (dimensions in mm)



BX1500
Wall installation
Installation with bracket S721/1



BX1500
Top installation
Installation with bracket S721/1



BX1500
S721/1
Bracket