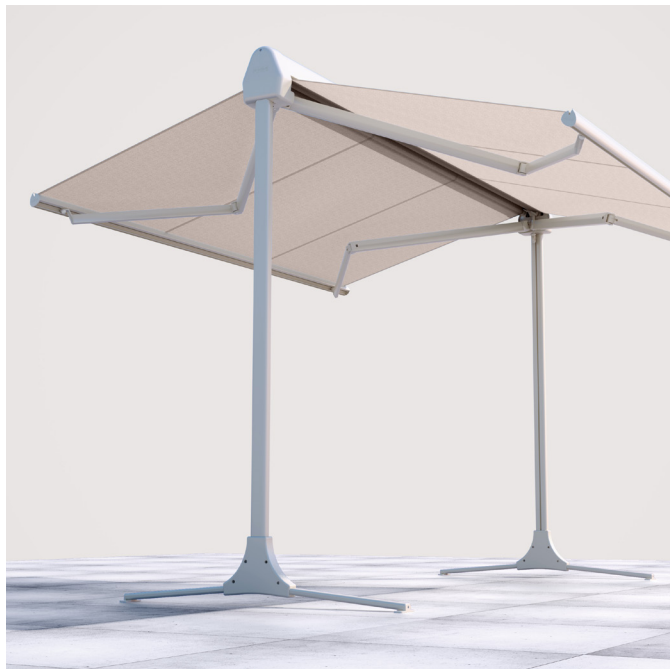


## Product data sheet



### Product features

- Secured by means of T-feet or recessed ground sleeves
- Both extension sides are operated simultaneously
- Integrated gutter in the front bar to channel rainwater away from the seated area
- Support height: 260 cm
- Optional: Protective cover

### Dimensions

- Width min. 315 cm, max. 555 cm
- Projection min. 300 cm, max. 450 cm

### Installation method and slope

- Freestanding awning
- 10° – 20°

### Wind resistance

- Beaufort 5 (38.5 km/h)  
The wind resistance class may vary depending on the design and dimensions

### Drive system / control

- Motor drive
- Operation optionally via wired switch, radio remote control, smart-home systems (e.g. KNX, TaHoma)
- Optional automatic system with sun, wind and rain sensor

### Frame colours

- STOBAG Classic Colours C10 (RAL 9016), C12 (RAL 9010), C28 (RAL 9006), C30 (RAL 9007), C34 (DB703), C48 (RAL 7022), C50 (RAL 7016), C52 (RAL 9005)
- Optional colours: Lifestyle (matt and textured) and Rainbow

### Fabric

- Acrylic and Oeko Weave
- Water
- Fire

### Certificates / Awards

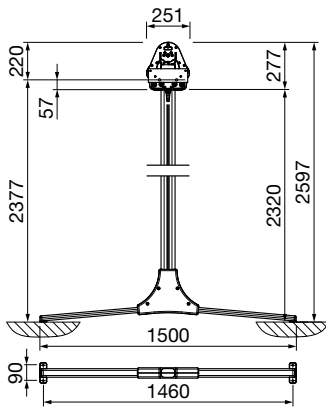


EN 13561

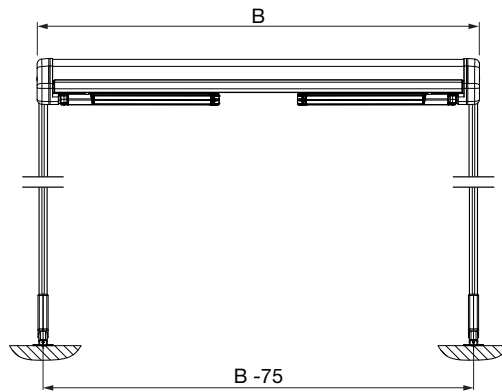
### Warranty

- 5 years  
Manufacturer's warranty 2 years, with the option to extend by an additional 3 years

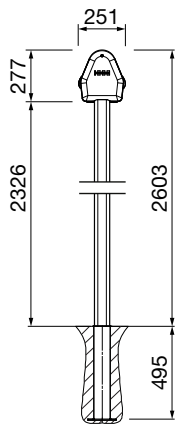
Technical data (dimensions in mm)



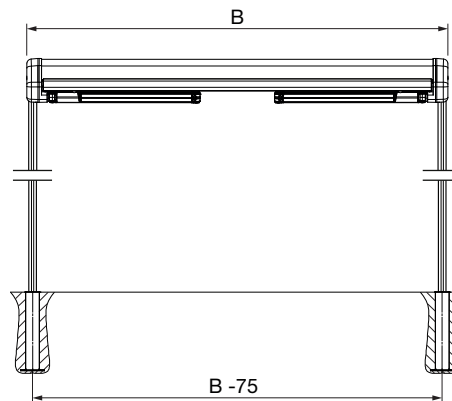
**OS4000**  
Version with 2 posts OS416/1  
with transverse feet OS412



**OS4000**  
Version OS416/1  
with right angle feet



**OS4000**  
Version with 2 posts OS416/2  
with sleeves OS315



**OS4000**  
Version OS416/2  
with sleeves