



### Product features

- Sloping glass roof
- Laminated safety glass 10 or 12 mm
- Integrated water drainage through the supports or drain pipe
- Optional integrated lighting
- Optional and modular integrated side and front glazing and side shades

### Dimensions

- GP3100: Width min. 100 cm, max. 2400 cm  
Projection min. 100 cm, max. 400 cm
- GP4100 Plus / GP4200 Plus:  
Width min. 50 cm, max. 2400 cm  
Projection min. 100 cm, GP4100 Plus max. 450 cm,  
GP4200 Plus max. 550 cm

### Height

- Min. 130 cm, max. 240 cm

### Installation method and slope

- Installation on the wall, 3 – 15° slope

### Roof load

- NYON GP3100: 85 – 200 kg/m<sup>2</sup>
- NYON GP4100 Plus / GP4200 Plus: 85 – 600 kg/m<sup>2</sup>

### Drive system / control

- Motor drive
- Operation optionally via wired switch, radio remote control, smart-home systems (e.g. KNX, TaHoma)
- Optional automatic system with sun, wind and rain sensor

### Frame colours

- STOBAG Classic Colours C10 (RAL 9016), C12 (RAL 9010), C28 (RAL 9006), C30 (RAL 9007), C34 (DB703), C48 (RAL 7022), C50 (RAL 7016), C52 (RAL 9005)
- Optional colours according to the STOBAG LIFESTYLE or RAINBOW colour palette

### Fabric

- Side / front shades: Soltis Horizon 86, Soltis Harmony 88, Soltis Perform 92, Soltis Veozip, Screens 1%, Screens 5%, Twilight
- Overglass shading: Acrylic
- The application options depend on the specific product configuration

### Lighting

- Optional LED strips with dimmer function (2700 – 5000 K) and Tunable White or LED spots (optionally: 2700 / 3000 / 4000 K)
- Colour temperature: Optionally between 2700 and 5000 K
- Luminous flux: 960 lm

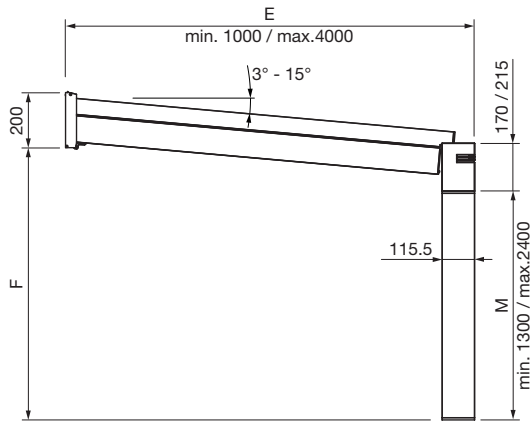
### Certificates / Awards



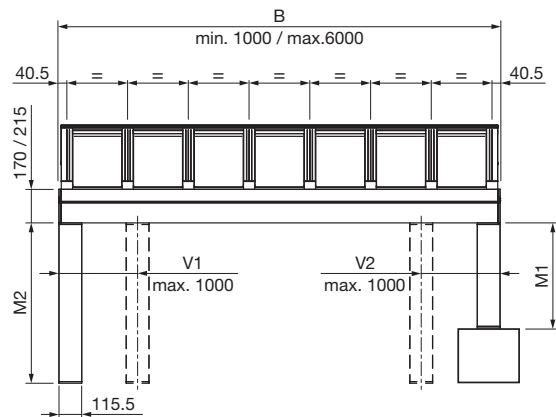
### Warranty

- 5 years  
Manufacturer's warranty 2 years, with the option to extend by an additional 3 years

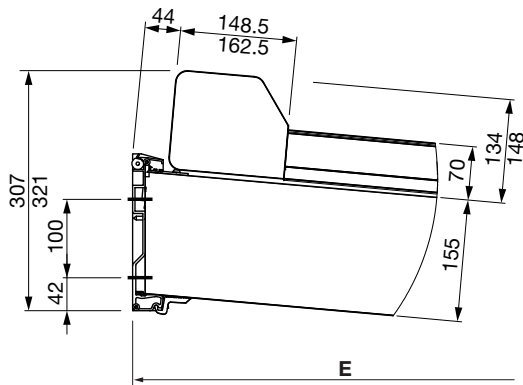
Technical data (dimensions in mm)



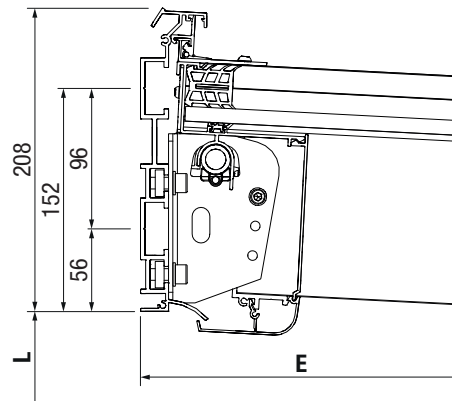
GP3100  
Side view



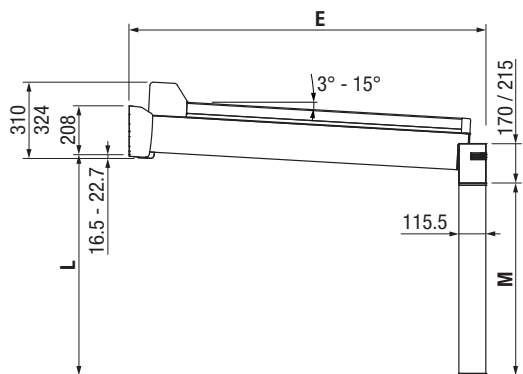
GP3100  
Front view



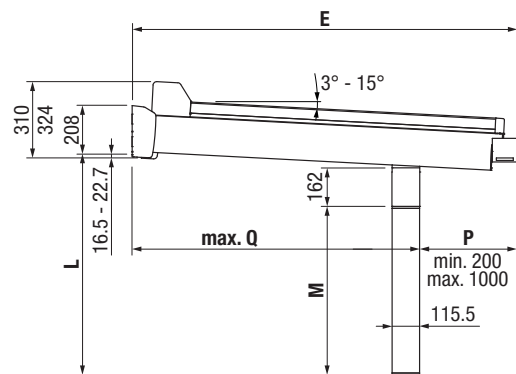
GP3100  
Wall connection



GP4100  
Wall connection



GP4100  
Side view



GP4200  
Side view