

## Product data sheet



### Product features

- Large awning with telescopic arms
- Shading for large areas up to 90 m<sup>2</sup>
- Optional: Top board S247/3 and valance

### Dimensions

- Width min. 395 cm, max. 1800 cm
- Projection min. 350 cm, max. 500 cm

### Installation method and slope

- Installation on the wall
- Installation under the ceiling
- 5° – 22° slope

### Wind resistance

- Beaufort 5 (38.5 km/h)
- The wind resistance class may vary depending on the design and dimensions

### Drive system / control

- Motor drive; tandem motor drive for width of 650 cm or above
- Operation optionally via wired switch, radio remote control, smart-home systems (e.g. KNX, TaHoma)
- Optional automatic system with sun, wind and rain sensor

### Frame colours

- STOBAG Classic Colours C10 (RAL 9016), C12 (RAL 9010), C28 (RAL 9006), C30 (RAL 9007), C34 (DB703), C48 (RAL 7022), C50 (RAL 7016), C52 (RAL 9005)
- Optional colours: Lifestyle (matt and textured) and Rainbow

### Fabric

- Acrylic and Oeko Weave
- Water
- Fire

### Certificates / Awards

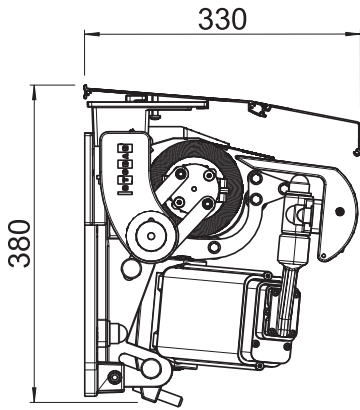


EN 13561

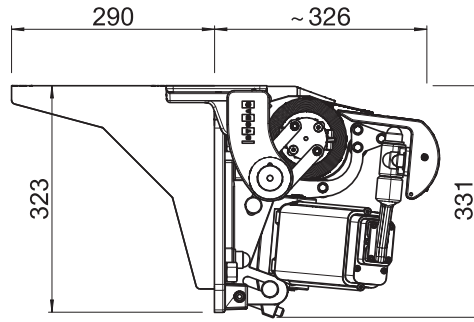
### Warranty

- 5 years
- Manufacturer's warranty 2 years, with the option to extend by an additional 3 years

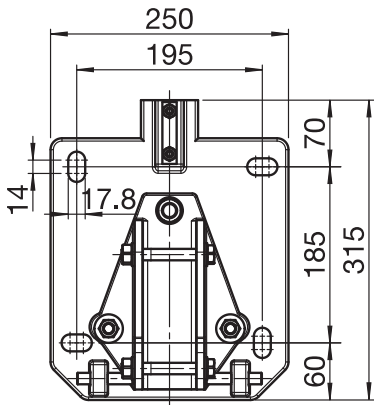
Technical data (dimensions in mm)



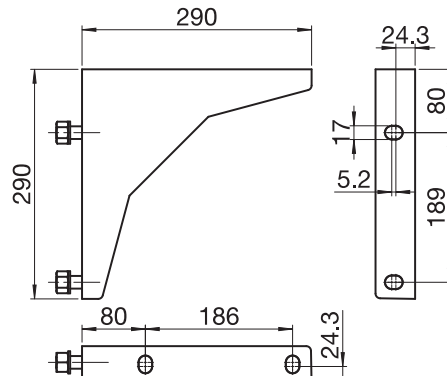
S2160/2  
Wall installation  
with optional top board S247/3



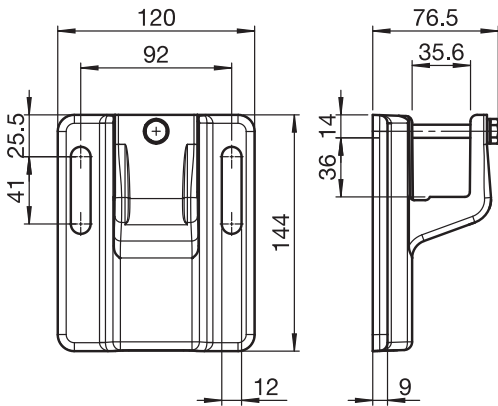
S2160/2  
Top installation



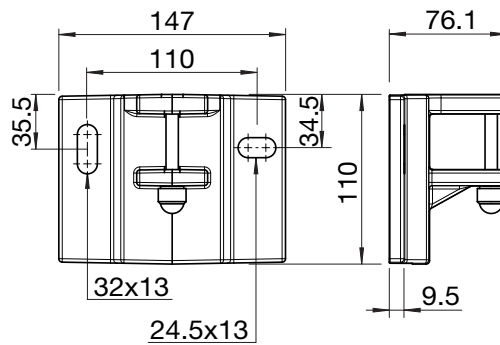
S2160/2  
S340 base plate  
S341 intermediate bearing wall / ceiling brackets



S2160/2  
S346  
Brackets for ceiling



S2160/2  
S221/1  
Bracket for ceiling



S2160/2  
S221/3-1  
Wall bracket