

Product data sheet



Product features

- Closed box shields against weather effects
- Various installation options on the wall, under the ceiling or on the rafters
- Simple and proven mounting system for attachment
- Awning slope adjustable up to 90° depending on installation method
- Choice of square or round front bar
- Optional console cover profile
- Optional wall connection profile prevents rainwater between facade and awning

Dimensions

- Width min. 188 cm, max. 550 cm
- Projection min. 160 cm, max. 300 cm

Installation method and slope

- Installation on the wall
 - 0° – 80° slope
- Installation under the ceiling or on rafters
 - 5° – 90° slope

Wind resistance

- Beaufort 5 (38.5 km/h)
 - The wind resistance class may vary depending on the design and dimensions

Drive system / control

- Motor drive
- Optional: Gearbox with crank handle
- Operation optionally via wired switch, radio remote control, smart-home systems (e.g. KNX, TaHoma)
- Optional automatic system with sun, wind and rain sensor

Frame colours

- STOBAG Classic Colours C10 (RAL 9016), C12 (RAL 9010), C28 (RAL 9006), C30 (RAL 9007), C34 (DB703), C48 (RAL 7022), C50 (RAL 7016), C52 (RAL 9005)
- Optional colours: Lifestyle (matt and textured) and Rainbow

Fabric

- Acrylic and Oeko Weave
- Soltis Lounge 96, microperforated
- Water
- Fire

Certificates / Awards

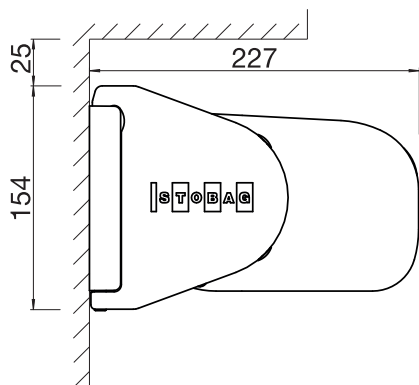


EN 13561

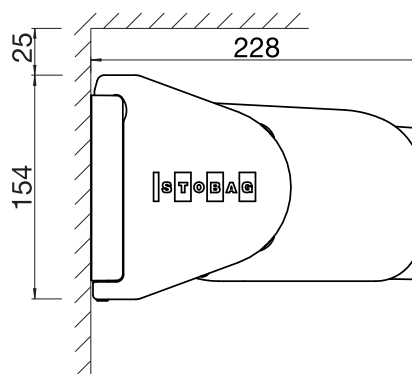
Warranty

- 5 years
- Manufacturer's warranty 2 years, with the option to extend by an additional 3 years

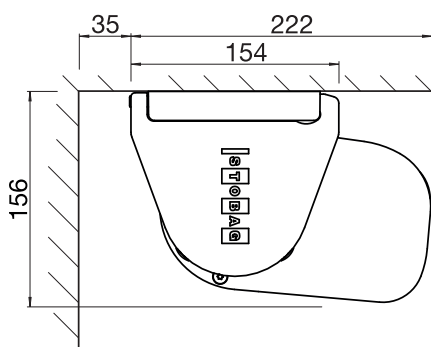
Technical data (dimensions in mm)



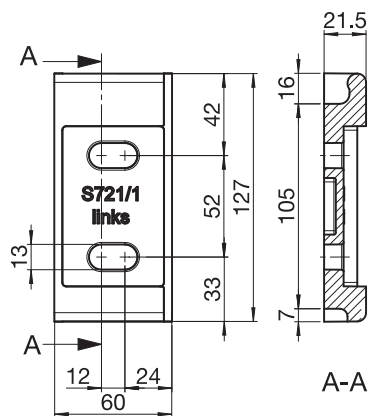
BX2000
Wall installation
Front rail rounded



BX2000
Wall installation
with square front rail



BX2000
Top installation
Front rail rounded



BX2000
S721/1
Bracket