

Product data sheet



Product features

- For shading areas up to 45 m²
- Closed box shields awning from weather effects
- Secured by means of concrete bases or recessed ground sleeves
- Left and right shaded areas can be controlled individually
- Support height: min. 300 cm / max. 700 cm
- Optionally selectable: Valance or Lowerable Volant-Plus and gearbox with crank handle

Dimensions

- Width min. 210 cm, max. 662 cm
- Projection min. 300 cm, max. 700 cm

Installation method and slope

- Freestanding awning
- 5° – 35°

Wind resistance

- Beaufort 5 (38.5 km/h)
The wind resistance class may vary depending on the design and dimensions

Drive system / control

- Motor drive
- Operation optionally via wired switch, radio remote control, smart-home systems (e.g. KNX, TaHoma)
- Optional automatic system with sun, wind and rain sensor

Frame colours

- STOBAG Classic Colours C10 (RAL 9016), C12 (RAL 9010), C28 (RAL 9006), C30 (RAL 9007), C34 (DB703), C48 (RAL 7022), C50 (RAL 7016), C52 (RAL 9005)
- Optional colours: Lifestyle (matt and textured) and Rainbow

Fabric

- Acrylic and Oeko Weave
- Water
- Fire
- Lowerable Volant-Plus:
Acrylic / Soltis Horizon 86 / Soltis Harmony 88 / Soltis Perform 92 / Screens 1% / Screens 5% / Twilight / Water / Fire

Certificates / Awards

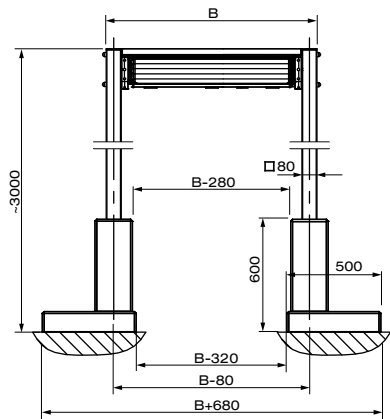


EN 13561

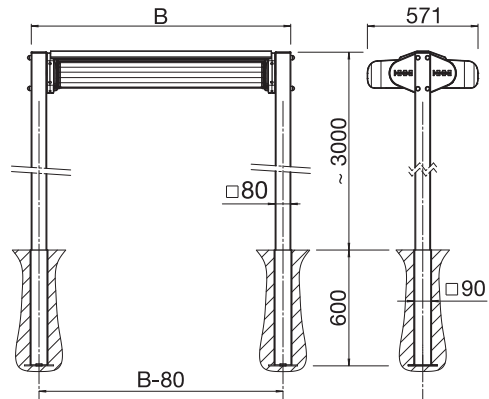
Warranty

- 5 years
Manufacturer's warranty 2 years, with the option to extend by an additional 3 years

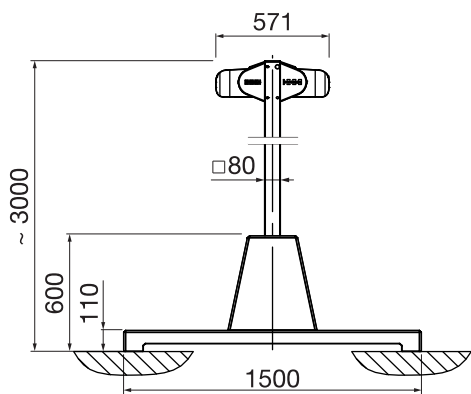
Technical data (dimensions in mm)



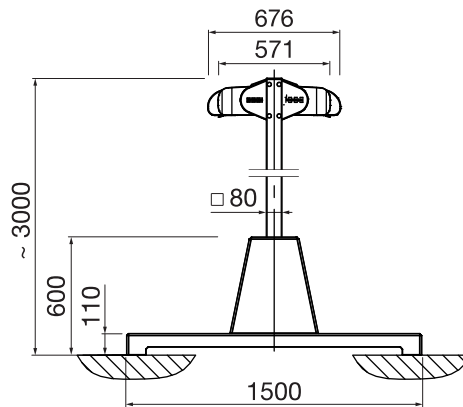
OS7000
With concrete sockets



OS7000
With floor sleeves



OS7000
With concrete sockets



OS7000
Side view with drop-down valance