

## Product data sheet



### Product features

- Pergola / pavilion folding awning
- Roof system with folding awning, openable
- Integrated water drainage through the supports
- Optional top board
- Optional lighting (adaptive)
- Optional and modular integrated side and front glazing and side shades

### Dimensions

- Width min. 200 cm, max. 500 cm
- Projection min. 200 cm, max. 600 cm

### Height

- Min. 70 cm, max. 297 cm
- Installation height max. 320 cm (support 297 cm + roof 23 cm)

### Installation method and slope

- Installation on the wall, 0° slope
- Freestanding, 0° slope
- Installation / reveal, 0° slope

### Wind resistance

- Beaufort 7 (61.5 km/h)

### Drive system / control

- Motor drive
- Operation optionally via wired switch, radio remote control, smart-home systems (e.g. KNX, TaHoma)
- Optional automatic system with sun, wind and rain sensor

### Frame colours

- STOBAG Classic Colours C10 (RAL 9016), C12 (RAL 9010), C28 (RAL 9006), C30 (RAL 9007), C34 (DB703), C48 (RAL 7022), C50 (RAL 7016), C52 (RAL 9005)
- Top board optionally in grey C28 (RAL 9006), white C12 (RAL 9010), black C52 (RAL 9005)
- Optional colours according to the STOBAG LIFESTYLE or RAINBOW colours

### Fabric

- Folding awning: Resistant, Resistant Blockout, Soltis W96
- Side / front shades: Soltis Horizon 86, Soltis Harmony 88, Soltis Perform 92, Soltis Veozip, Screens 1%, Screens 5%, Twilight
- The application options depend on the specific product configuration

### Lighting

- Optional LED strip lighting on the water channel, with dimmer function
- Colour temperature: 2800 – 3200 K (dimnable light only)
- Luminous flux: 400 lm

### Certificates / Awards

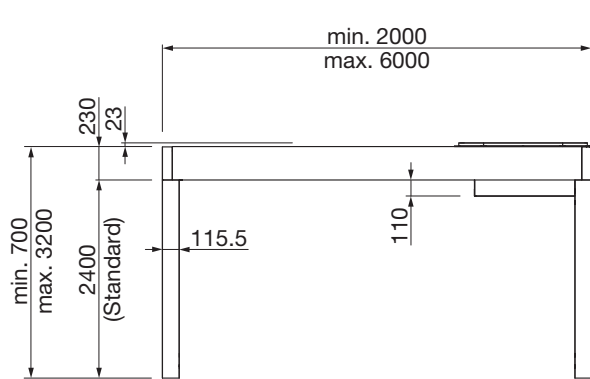


EN 13561

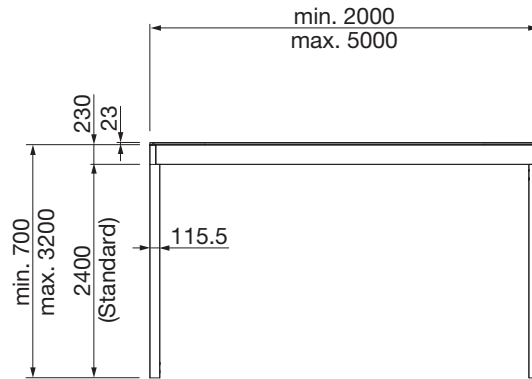
### Warranty

- 5 years
- Manufacturer's warranty 2 years, with the option to extend by an additional 3 years

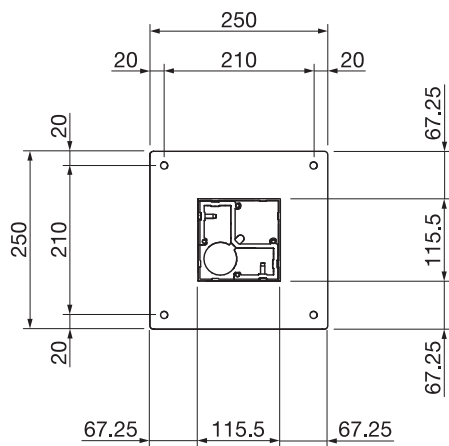
Technical data (dimensions in mm)



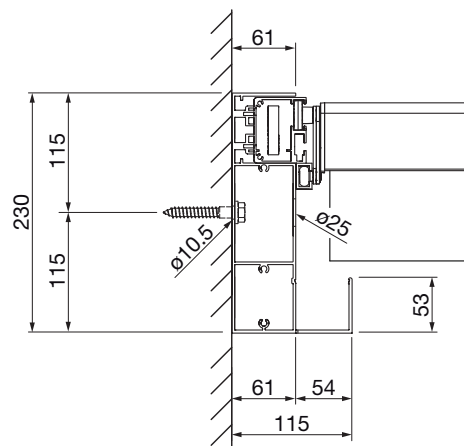
TP6100  
Side view



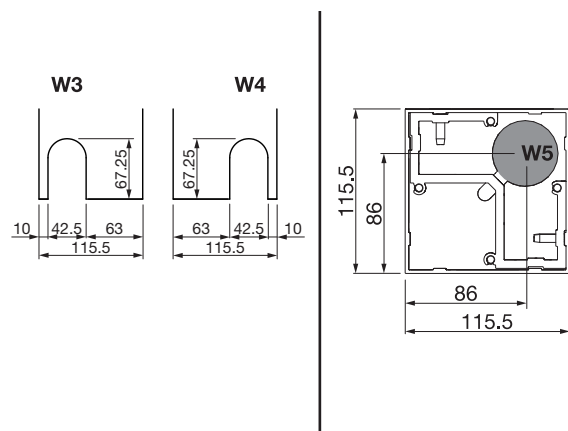
TP6100  
Front view



TP6100  
Section foot plate TP313  
(Standard)



TP6100  
Section carrier profile  
(ceiling installation)



TP6100  
Drainage detail