

## Product data sheet



### Product features

- Awning with folding arms
- Sturdy square mounting bar
- Flexible mounting brackets
- Infinitely adjustable slope during installation
- Manual operation via limit-stop gearbox or motor drive
- With windlock mechanism
- Optionally selectable: Valance
- Optionally selectable for installation on the wall: Top board

### Dimensions

- Width min. 180 cm, max. 700 cm
- Projection min. 150 cm, max. 300 cm

### Installation method and slope

- Installation on the wall
- Installation under the ceiling
- Installation on rafters
- 1° – 60° slope; max. slope 45° if width over 600 cm

### Wind resistance

- Beaufort 5 (38.5 km/h)
- The wind resistance class may vary depending on the design and dimensions

### Drive system / control

- Motor drive
- Optional for width up to 6 metres: Gearbox with crank handle
- Operation optionally via wired switch, radio remote control, smart-home systems (e.g. KNX, TaHoma)
- Optional automatic system with sun, wind and rain sensor

### Frame colours

- STOBAG Classic Colours C10 (RAL 9016), C12 (RAL 9010), C28 (RAL 9006), C30 (RAL 9007), C34 (DB703), C48 (RAL 7022), C50 (RAL 7016), C52 (RAL 9005)
- Optional colours: Lifestyle (matt and textured) and Rainbow

### Fabric

- Acrylic and Oeko Weave
- Water
- Fire

### Certificates / Awards

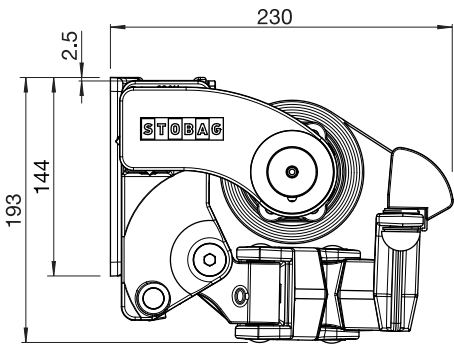


EN 13561

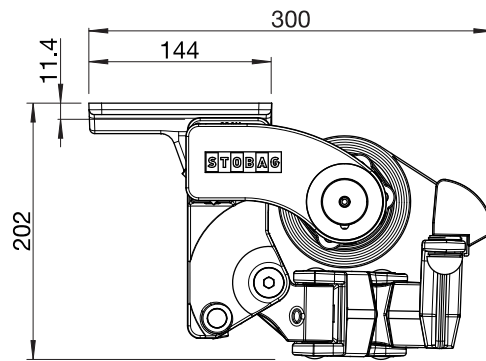
### Warranty

- 5 years
- Manufacturer's warranty 2 years, with the option to extend by an additional 3 years

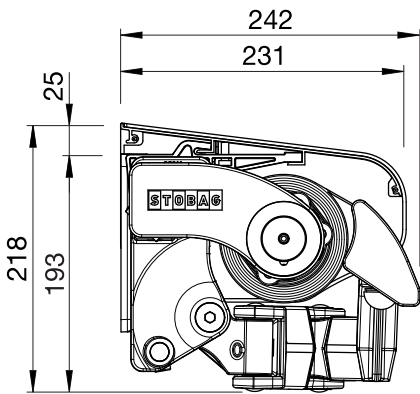
Technical data (dimensions in mm)



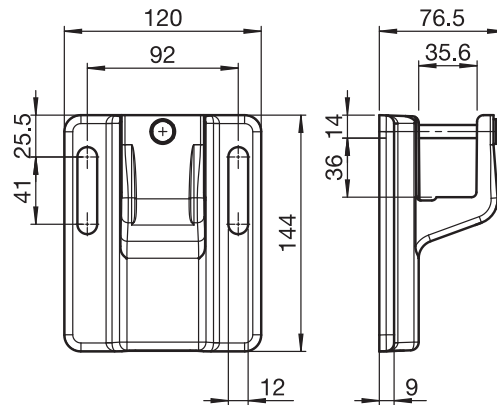
SG2400  
Wall installation without top board  
(S818 front rail)



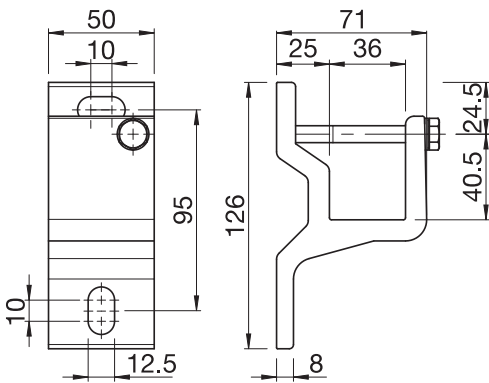
SG2400  
Ceiling installation without top board  
(S818 front rail)



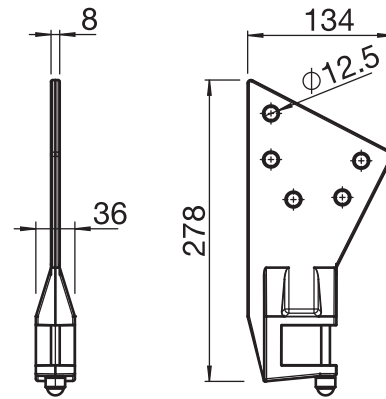
SG2400  
Wall installation with top board  
(SG217 front rail)



SG2400  
S221/1  
Bracket



SG2400  
S221/5  
Bracket



SG2400  
S225  
Rafter bracket