

Product data sheet



Product features

- Slimline conservatory shading for small to large areas
- Optimal fabric tension thanks to integrated gas struts
- Self-supporting box

Dimensions

- PS4000: Width min. 85 cm, max. 400 cm
Projection min. 85 cm, max. 400 cm
- PS4500: Width min. 86 cm, max. 550 cm
Projection min. 100 cm, max. 600 cm

Installation method and slope

- Horizontal on conservatory / structure, min. 3° slope
- Running vertically from top to bottom, max. 90° slope

Wind resistance

- Beaufort 6 (49.5 km/h)

Drive system / control

- Motor drive
- Operation optionally via wired switch, radio remote control, smart-home systems (e.g. KNX, TaHoma)
- Optional automatic system with sun, wind and rain sensor

Frame colours

- STOBAG Classic Colours C10 (RAL 9016), C12 (RAL 9010), C28 (RAL 9006), C30 (RAL 9007), C34 (DB703), C48 (RAL 7022), C50 (RAL 7016), C52 (RAL 9005)
- Optional colours according to the STOBAG LIFESTYLE or RAINBOW colour palette

Fabric

- Acrylic, Soltis Perform 92, Water, Fire
- The application options depend on the specific product configuration

Certificates / Awards

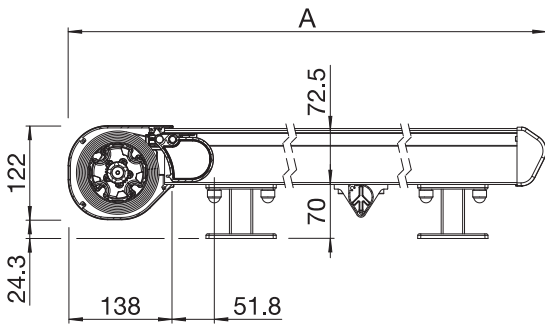


EN 13561

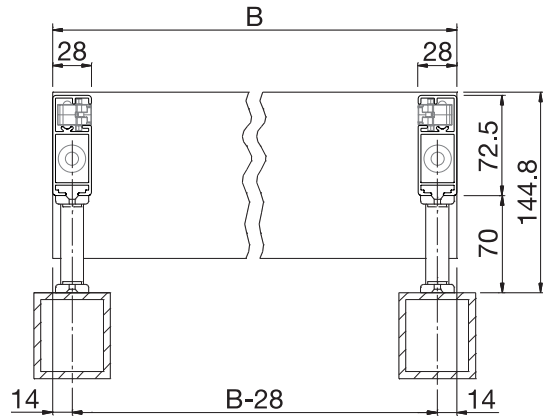
Warranty

- 5 years
Manufacturer's warranty 2 years, with the option to extend by an additional 3 years

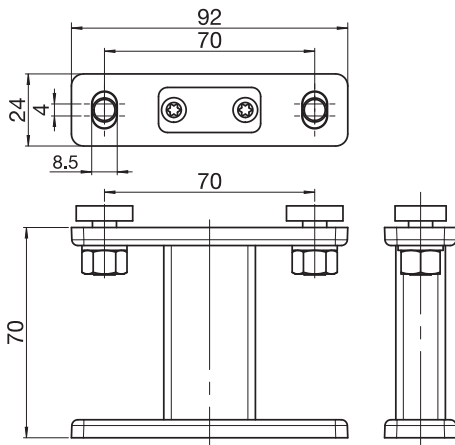
Technical data (dimensions in mm)



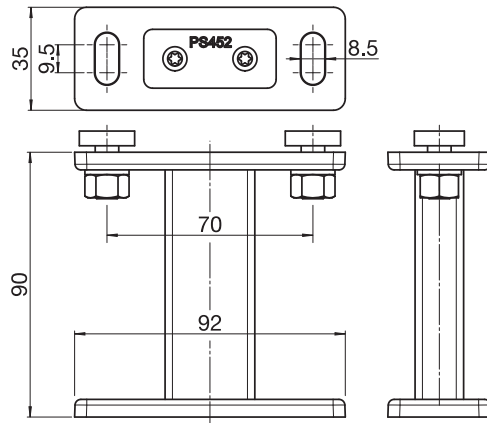
PS4000
Installation on sub-construction
A = Projection



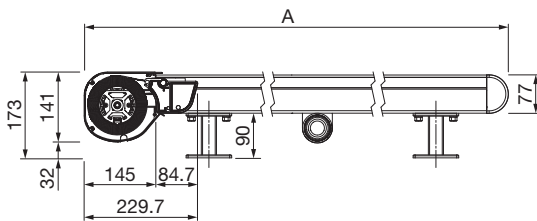
PS4000
B = Total width



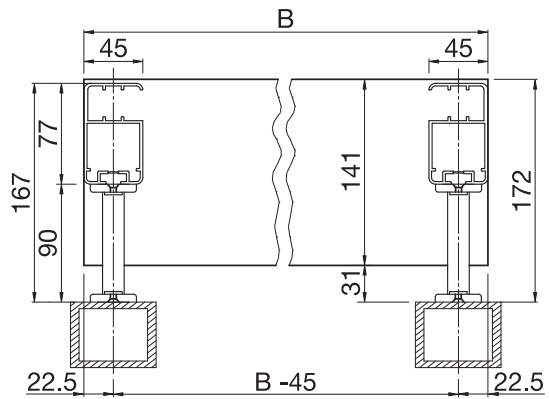
PS4000
PS401/1
Bracket



PS4500
PS452/1
Bracket



PS4500
Installation on sub-construction
A = Projection



PS4500
B = Total width