

S T O B A G



SURAVA HIDE

Elegant integration for modern architecture.





DESIGN THAT COMPLEMENTS THE ARCHITECTURAL VISION.

With harmonious integration into the façade, the SURAVA HIDE vertical awning offers a modern elegance that perfects the overall appearance of the building. The innovative solution blends into any architectural concept in a visually sophisticated way and is characterized by high-quality workmanship.

SURAVA HIDE has a compact design and can be optimally integrated into niches. The uniform size, regardless of the choice of guides, simplifies planning. The click mechanism for easy installation and the integrated cover panel meet the demands for efficiency and aesthetics.

The versatile SURAVA product line combines functionality and discreet shapes. It enables combinations of different vertical awnings for the various requirements of installation situations. The uniform design emphasizes the overall appearance of the architecture.

LIVING EXPERIENCE WITH A VIEW



GUIDE VARIANTS

One-piece guide rail



Cable guide



ZIP with two-part guide rail

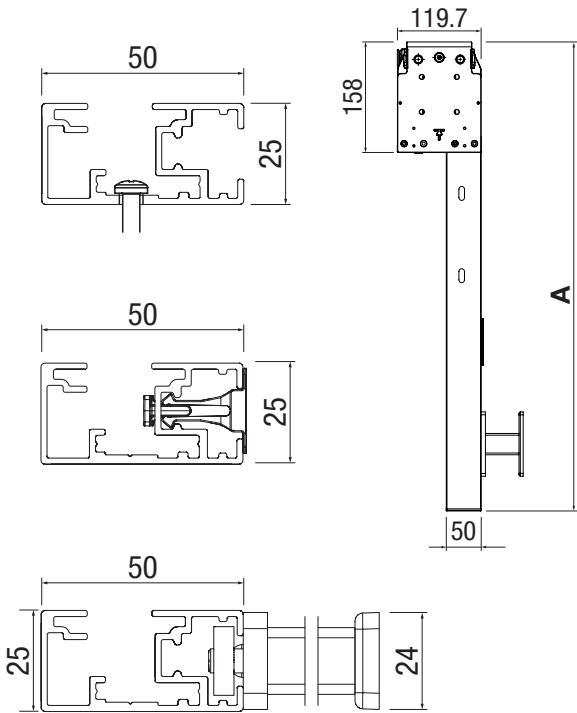


Rod guide

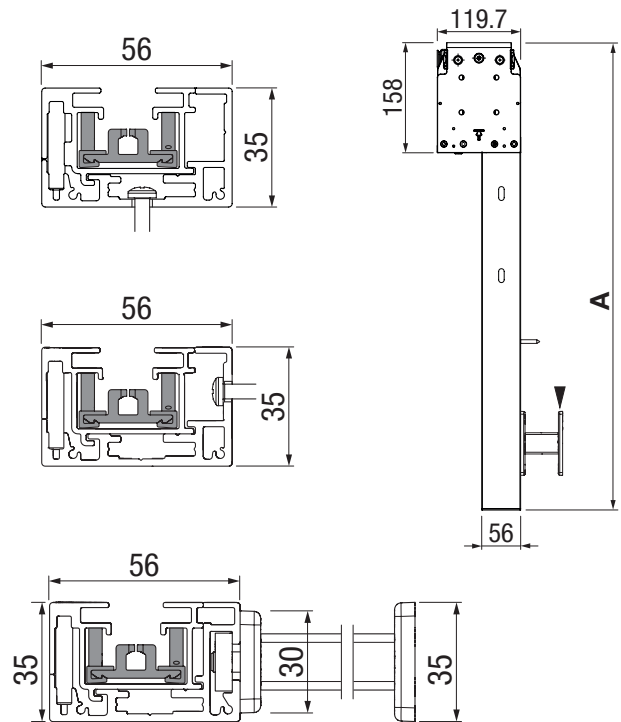


VERSIONS & MOUNTING

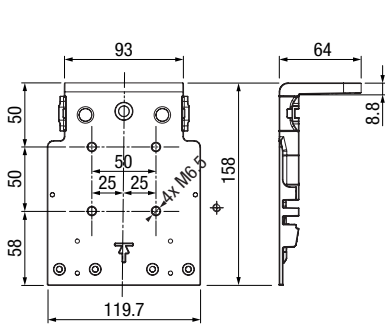
Mounting variants
one-piece guide rail



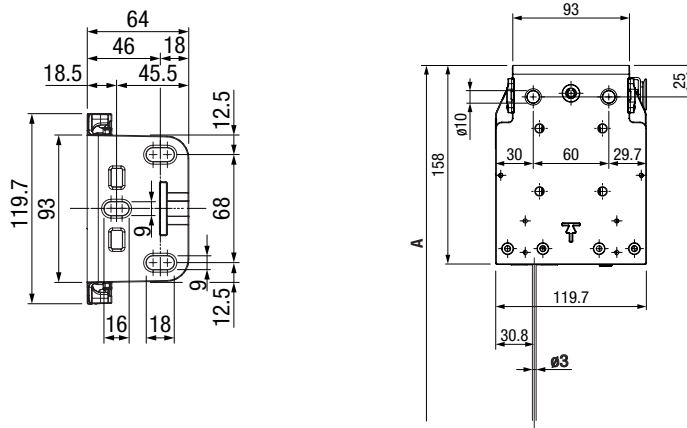
Mounting variants
two-part guide rail with ZIP



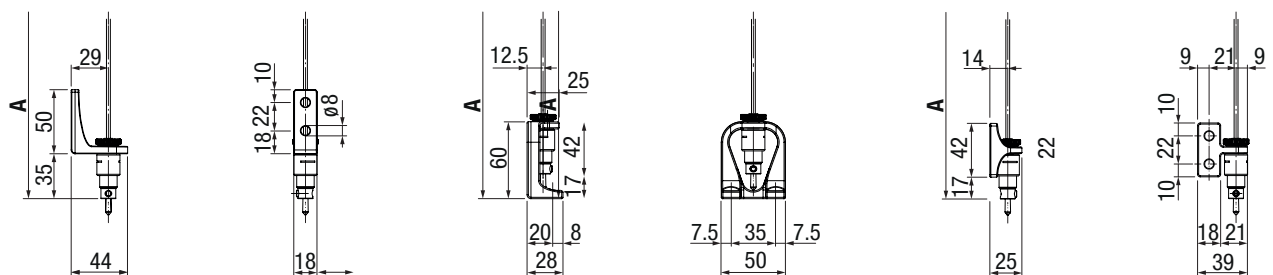
Ceiling / soffit bracket



Mounting cable guide $\varnothing 3$ mm



Cable guide bracket $\varnothing 3$ mm



Making living spaces
more valuable together.



Scan the QR code
for more information.

267262 – 2024-04 – © STOBAG – Subject to change without prior notification.

