

S T O B A G

SURAVA

The harmonious union
of form and function.



reddot winner 2023

UNIQUE DESIGN AND DIVERSE APPLICATIONS



SURAVA vertical shading systems are the perfect choice for your projects. Designed for aesthetically and functionally demanding solutions.



SURAVA VA1100 LIGHT



Create a modern living style with SURAVA vertical awnings

SURAVA is our innovative product line that consists of the following modern vertical shading systems:



SURAVA VA1100 LIGHT



SURAVA VA2100 BOX / ZIP

With its uniform and harmonious design, the SURAVA line offers the perfect solution for your needs, from traditional designs without a box to versions with a box for additional protection. The design simplifies the selection process, regardless of the selected guide type. Whether you choose a wind-resistant ZIP guide for a patio window or an elegant rope guide for balconies and canopies – SURAVA offers the optimal solution.

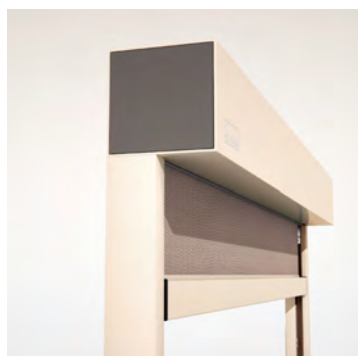
Choose from a wide range of options, such as:

- Slender protective box in an angular or rounded design
- Elegant rope or rod guide
- Slender 1-piece guide rail
- Wind-resistant ZIP guide with no light gap

SURAVA represents modern vertical shading systems, which blend harmoniously into the surrounding architecture and ensure an aesthetically and technically optimal solution.

SURAVA VA2100 BOX / ZIP

Uniform and modern design – regardless of the selected guide type.



ZIP
max. width 400 cm
max. projection 300 cm



rail
500 cm
400 cm



rope/rod
500 cm
300 cm



Guide variants

Harmonious union of different guide variants on one building.

① and ② Rope guide for an inconspicuous guide mechanism (also possible without box).
Remaining windows: Guide rails with or without ZIP.

Available guides

- Rope
- Bar, 1 and 2-piece guide rail
- ZIP guide

Mounting bracket

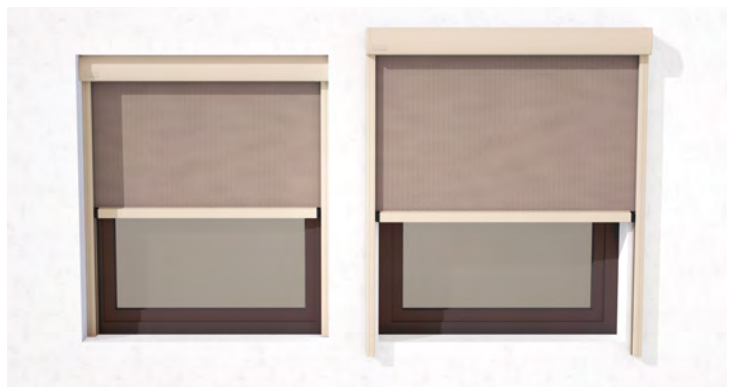
Redesigned and optimized mounting brackets.

Perfect fit

Engageable on one or both sides
Rope guide for perfect integration.



Preview of the future indented rope guide option



Mounting variants with guide rails

Wall mounting and soffit mounting – for a consistently harmonious design that adapts to your needs.

SURAVA VA1100 LIGHT – A NEW KIND OF SIMPLICITY

The new generation of functional vertical shading systems.
Wide range of models with an open design.

Our modern interpretation of the classic variant in the vertical shades segment. It's minimalist design is ideal for protected installations and is thus a popular choice for many architectural styles. The optional designer cover panels give the SURAVA VA1100 LIGHT an attractive side view. This version also harmoniously combines form and function for the discerning customer.

Open design

For mounting on the wall, in the soffit, on the ceiling or in suitable recessed niches.

Unwinding direction

The fabric can unroll to the front or back to perfectly suit your needs.

Available guides

- Rope guide
- Bar guide
- 1 or 2-piece guide rail



	rail	rope / rod
max. width	500 cm	500 cm
max. projection	400 cm	300 cm



◀ ▲ SURAVA VA1100 LIGHT



**STOBAG
EXCLUSIVE**

Designer cover panel

In the system color or a second color from our Classic Colors product range.

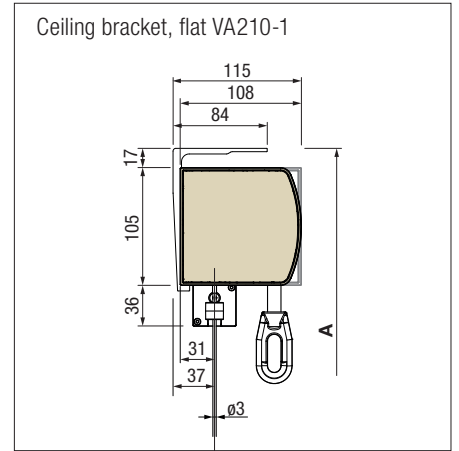
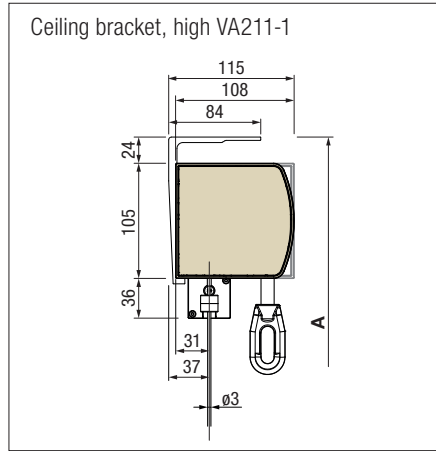
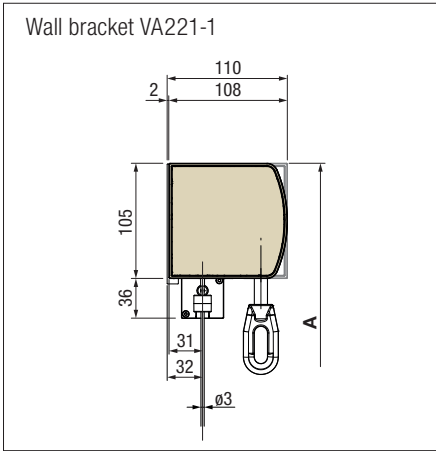


without box

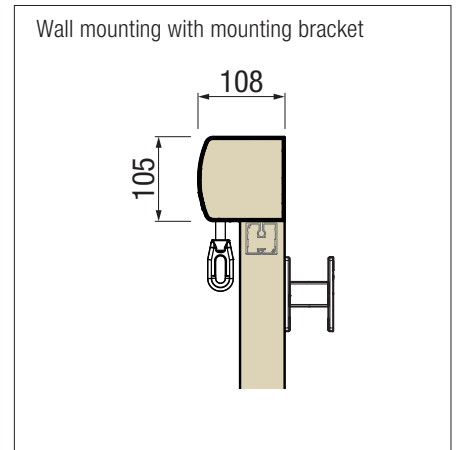
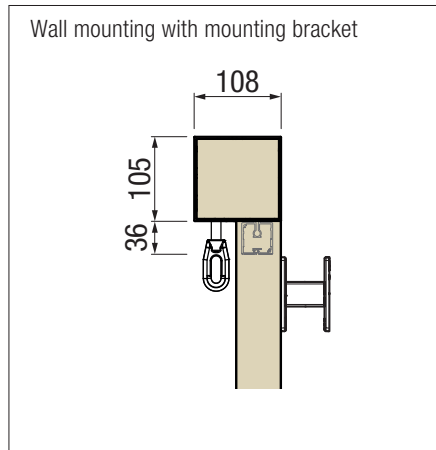
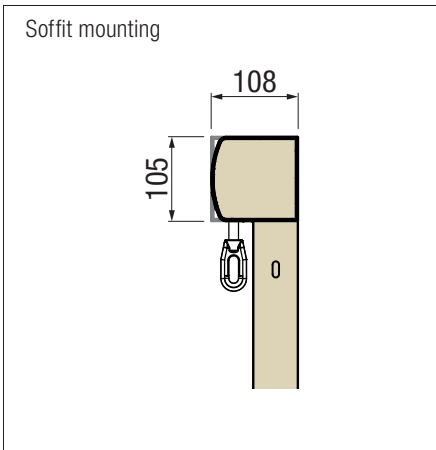
SURAVA VA2100 BOX / ZIP

Technical details

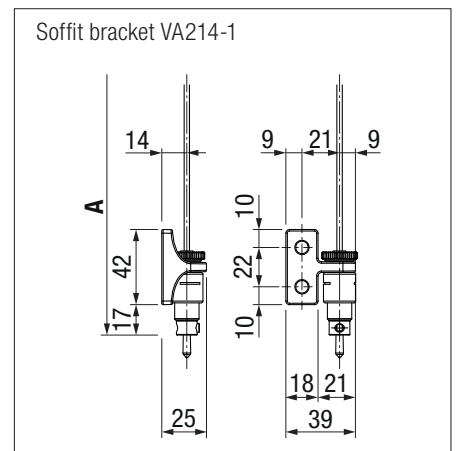
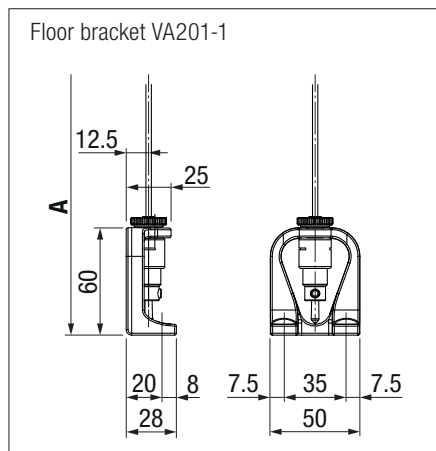
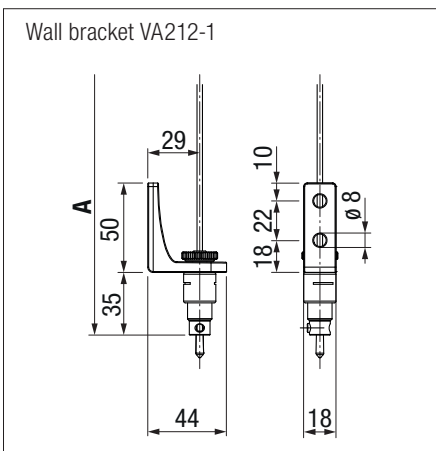
Rope and bar guide



Rail guide



Fittings

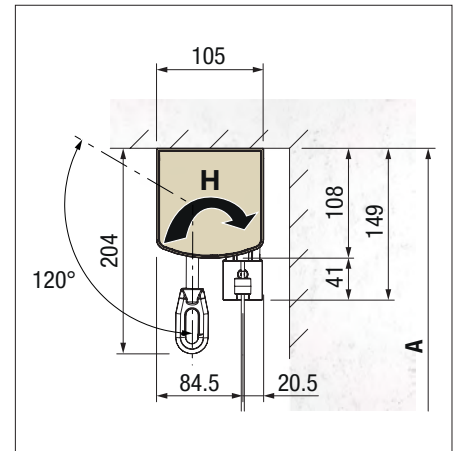
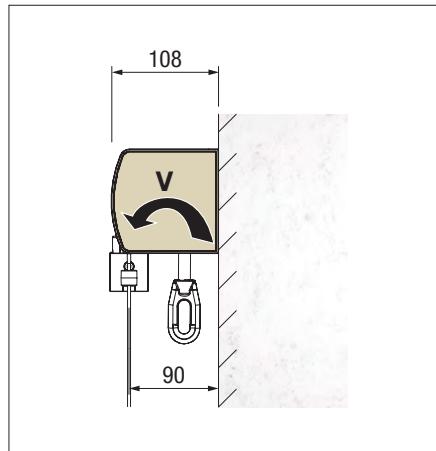
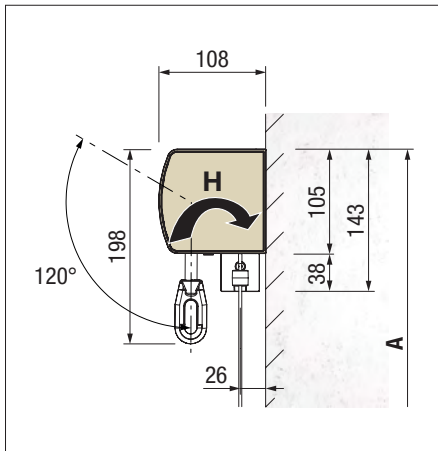


Soffit bracket VA214-1 is used as a wall bracket for the indented rope guide when wall mounting.

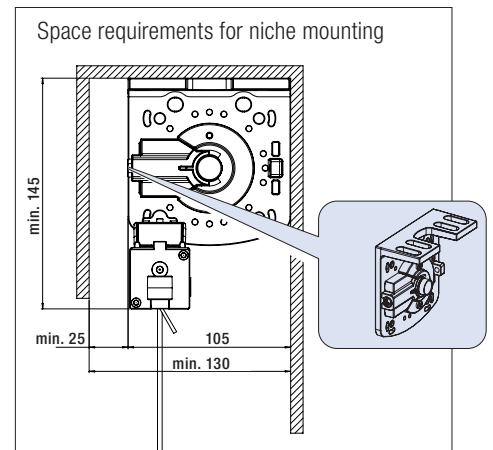
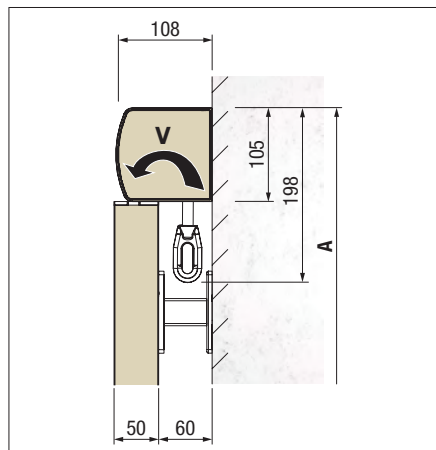
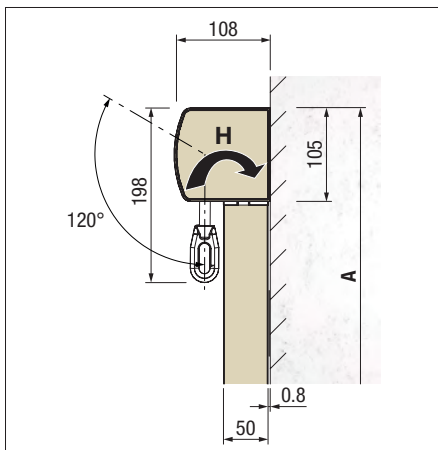
SURAVA VA1100 LIGHT

Technical details

Mounting with rope guide

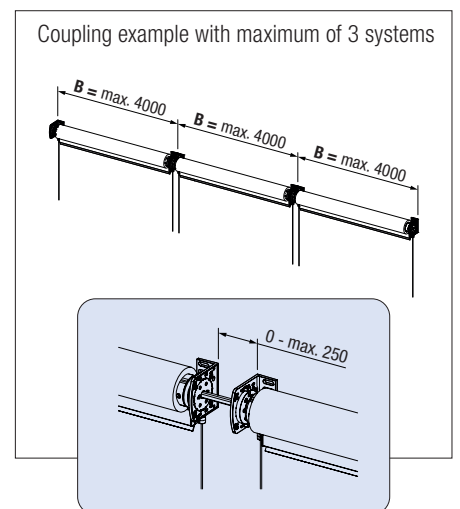
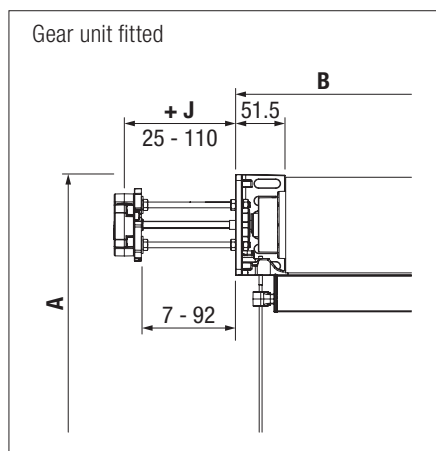
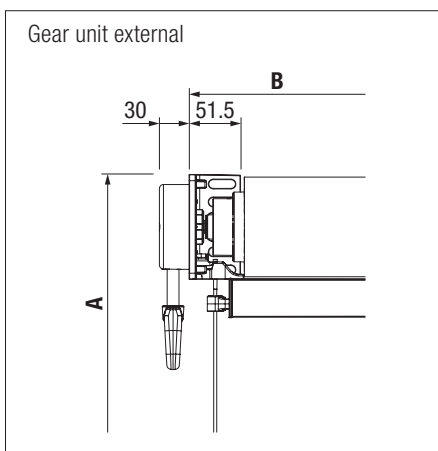


Wall mounting, one-piece guide rail (mounting bracket VA101-1)



Drop profile including dimension and total height

Mounting plan for rope guide \varnothing 3 mm (external gear unit)



H = fabric guide at rear V = fabric guide at front A = total height

Technical dimensions in millimeters

OVERVIEW

Our SURAVA product line compared.

Product	SURAVA VA1100 LIGHT	SURAVA VA2100 BOX	SURAVA VA2100 ZIP
ZIP guide	no	no	yes
Motor drive	yes	yes	yes
Hand crank (depends on dimensions)	yes	yes	yes
Maximum dimensions with Guide rail width × height	500 × 400 cm	500 × 400 cm	400 × 300 cm
Maximum dimensions with rope guide and bar guide	500 × 300 cm	500 × 300 cm	not available
Protective box	no	yes	yes
Guide variants	wire rope, bar, Guide rail 1- and 2-piece	wire rope, bar, Guide rail 1- and 2-piece	ZIP guide
Wind-resistance class	3	3	3
Blackout option	no	no	yes
Coupling option	yes max. 3 systems	yes* max. 3 systems	no
Selectable unwinding direction	yes	no	no
Wall mounting	yes	yes with wall bracket or attached	attached to Guide rail
Ceiling mounting	yes	yes with ceiling bracket or attached	attached to Guide rail
Soffit mounting	yes	only with guide rail	yes
Niche mounting	yes	possible	possible
Unsupported mounting – attached to guide rail	no	yes with guide rail	yes

* with restriction for soffit mountings



reddot winner 2023



EN 13561



REGISTRATION REQUIRED



COLORS

Discover the diverse options when selecting frame colours.



FABRICS

Choose from a comprehensive range of materials and colours.



ELECTRICS

More convenience thanks to the automated control and lighting systems.

Functionality and aesthetics combined in one vertical awning.





For more information
scan QR code.

STOBAG AG
Verkaufsstelle
Deutschschweiz / Tessin
Pilatusring 1
5630 Muri
Switzerland

STOBAG SA
Point de vente
Suisse Romande / France
En Budron H / 18
1052 Le Mont-sur-Lausanne
Switzerland

STOBAG Österreich GmbH
Radlberger Hauptstrasse 100
3105 St. Pölten-Unterradlberg
Austria

STOBAG AG
Sales Point International
Pilatusring 1
5630 Muri
Switzerland

STOBAG North America Corp.
1445 Norjohn Ct Unit 7
Burlington, ON L7L 0E6
Canada