

STOBAG

# SELECT

Rigid, compact and multi-purpose  
3-edge back bar awning.



# SELECT S8130 | S8133 PLUS | S8135 OMBRAMATIC



Drop down valance



valance

- Extremely stable due to triangular back bar technology
- Various mounting options to the wall, below the ceiling or to the frames
- Variable bracket positioning
- Angle can be adjusted manually up to 60° (S8135)
- Projection can be greater than its width (S8133)
- The incline angle corresponds to the optional adjustable cover board
- Optional valance provides additional shade and hides the awning arms from view
- Optional drop down valance:  
Standard acrylic fabric and screens up to max. 110 cm;  
Soltis 86/Soltis 88/Soltis 92 up to max. 160 cm

## S8130



min. 170 cm  
max. 1800 cm\*



min. 140 cm  
max. 350 cm

\* with drop down valance to  
max. 700 cm wide



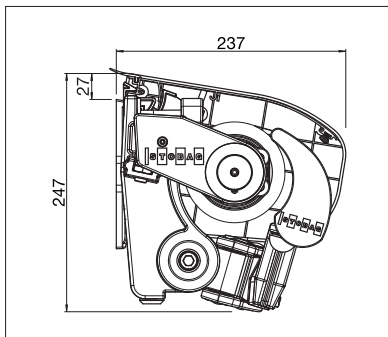
The wind resistance class can vary  
depending on version and dimension.



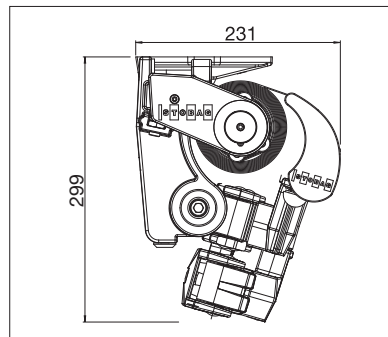
to max. 600 cm wide



Technical dimensions in millimetres



S8130 Wall installation with top board



S8133 Top installation

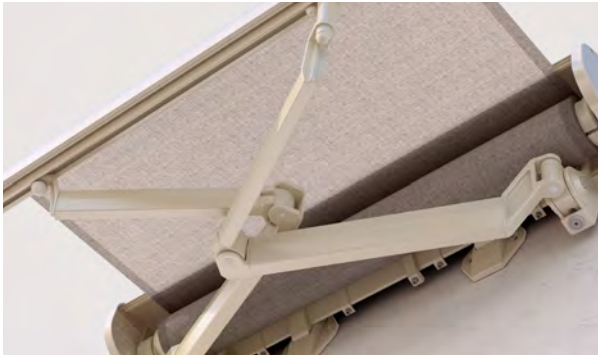


REGISTRATION REQUIRED

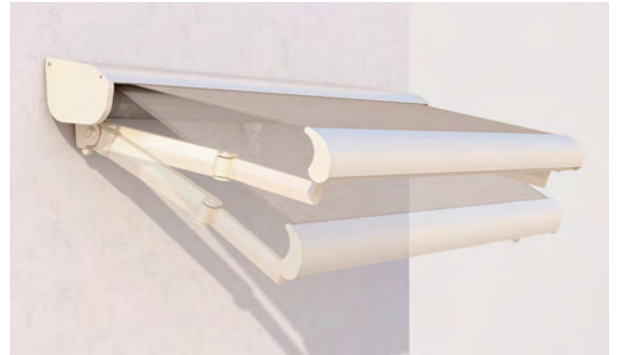


EN 13561





S8133 Crossover arm



S8135 OMBRAMATIC manually adjustable incline

### S8133 PLUS



min. 115 cm  
max. 775 cm\*



min. 150 cm  
max. 350 cm\*

\* with drop down valance to  
max. 250 cm projection,  
max. 700 cm wide



The wind resistance class can vary  
depending on version and dimension.



### S8135 OMBRAMATIC



min. 170 cm  
max. 600 cm

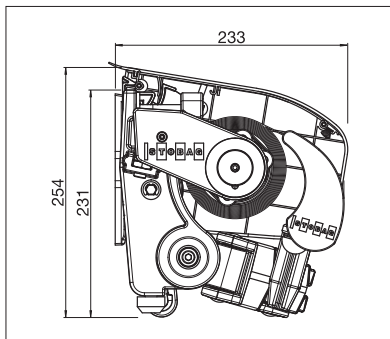


min. 140 cm  
max. 350 cm\*

\* with drop down valance to  
max. 300 cm projection



The wind resistance class can vary  
depending on version and dimension.



S8135 Wall installation



Without top board



With top board



### COLORS

Discover the diverse options when selecting  
frame colors.



### FABRICS

Choose from a comprehensive range  
of materials and colors.



### ELECTRICS

More convenience thanks to the  
automated control and lighting systems.



**ENJOY SUMMER  
IN COOLING SHADE.**