

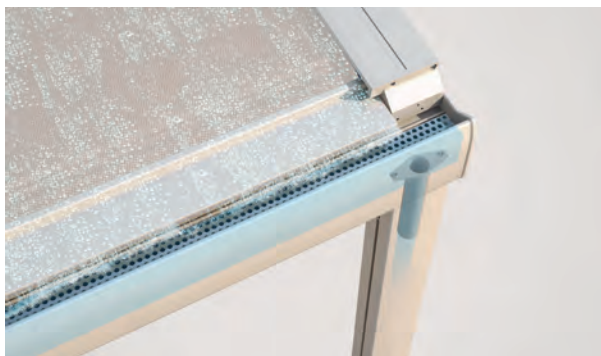
STOBAG

RIVERA

Sturdy pergola awning
with large projection.



RIVERA P5000



Rain run-off



Fabric in lateral guide

- Up to 700 cm projection possible
- High fabric tension ensures rapid rainwater drainage
- Integrated rain drain through the support
- Very stable even at high wind speed – highest class in accordance with awning standards
- Adjustable roof incline 8° to 25°

Options:

- Dimmable LED lighting
- Side/front shading
- Side/front glazing
- Canopy



min. 200 cm
max. 500 cm*



min. 200 cm
max. 700 cm



Passage height
max. 300 cm**

*from 501 cm coupled

**from 250 cm high corner reinforcement P850 required

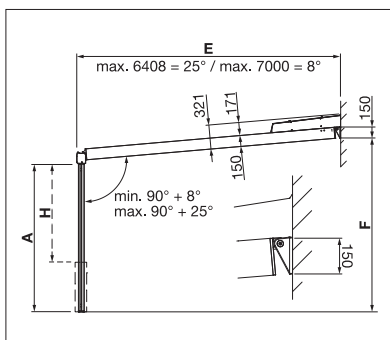


The wind resistance class can vary depending on version and dimension.



with motor

Technical dimensions in millimetres



Wall installation



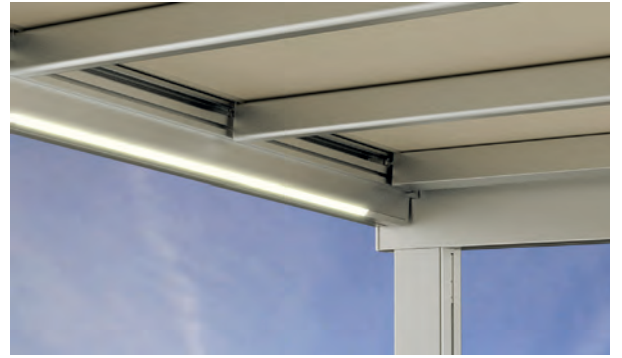
REGISTRATION REQUIRED



EN 13561



Coupled systems



LED lighting



COLORS

Discover the diverse options when selecting frame colours.



FABRICS

Choose from a comprehensive range of materials and colours.



ELECTRICS

More convenience thanks to the automated control and lighting systems.



**ENJOY THE TERRACE –
IN ANY WEATHER.**