



# Connection diagram: For electricians



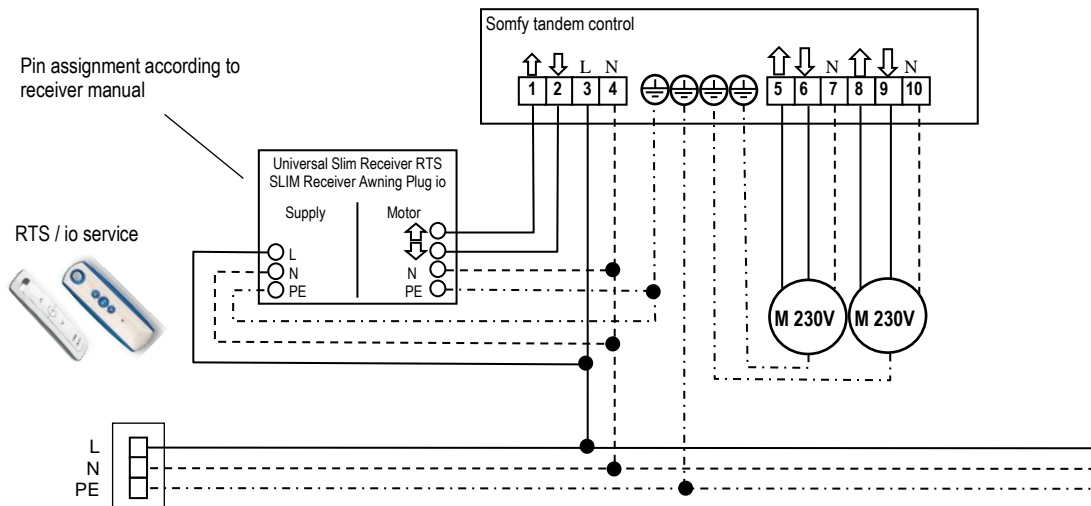
## Somfy tandem control: Connection with radio receiver

\*With the present document version all previous versions are no longer valid. STOBAG endeavours to continuously improve these documents. Nevertheless, no liability is accepted for any errors which may occur and the impact thereof.

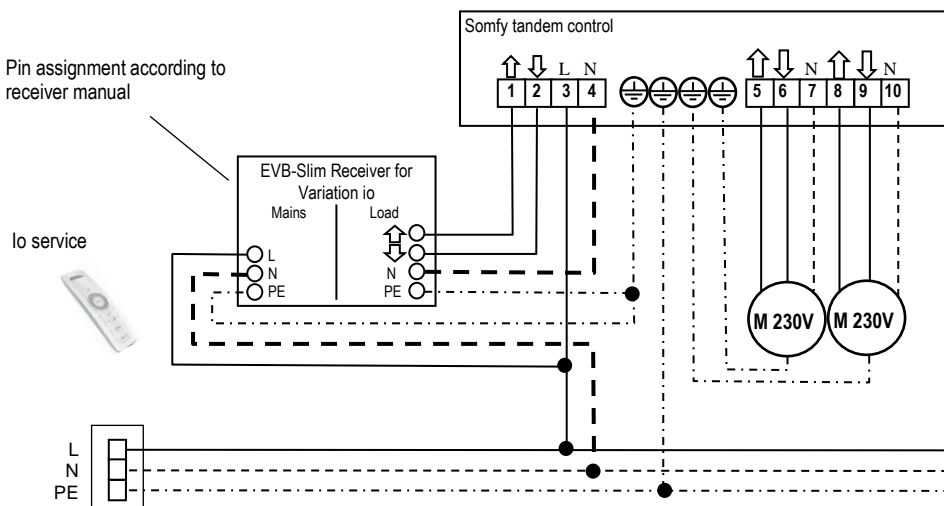
**The regulations must be read prior to assembly. The information and instructions must be observed to prevent hazards and damage.**

The tandem control can be connected with an RTS or io radio receiver and operated via the corresponding radio system.

### Connection option 1: Radio receiver RTS or SLIM io receiver awning + plug



### Connection option 2: Radio EVB-Slim Receiver for Variation io



**Note: This schema applies only to the connection of the radio receiver. Observe Somfy tandem control manual!**

### Safety instructions:



- Check the unit for any damage as soon as it is unpacked.
- If it is ascertained that safe operation cannot be guaranteed it must be taken out of service immediately and secured from unintentional operation.
- The electric installation on site must be undertaken by authorised electricians.
- Make the electric connections in such a way that they are always **accessible and can be switched off**.
- Wiring work must be performed with the power disconnected.
- The stipulated protection class is only featured for undamaged and complete housing.
- Local regulations must be observed.
- Any disposal must be performed according to the applicable legal provisions.