

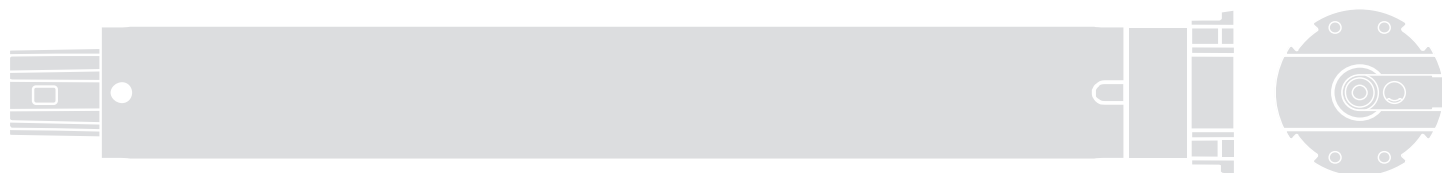
Era Star T

CE

E Star ST

E Star MT

E Star LT



Tubular motor

EN - Instructions and warnings for installation and use

IT - Istruzioni ed avvertenze per l'installazione e l'uso

FR - Instructions et avertissements pour l'installation et l'utilisation

ES - Instrucciones y advertencias para la instalación y el uso

DE - Installierungs-und Gebrauchsanleitungen und Hinweise

PL - Instrukcje i ostrzeżenia do instalacji i użytkowania

NL - Aanwijzingen en aanbevelingen voor installatie en gebruik

Nice

Quick Guide

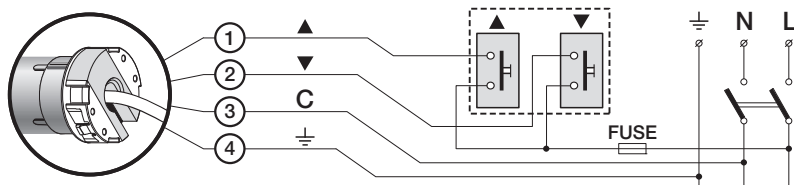
Era Star T tubular motor for sun awnings

Note for consultation • In this Guide, the numbering system is independent and does not correspond to the numbering stated in the text of the complete manual. • This guide does not replace the complete manual.

Nice

ENGLISH

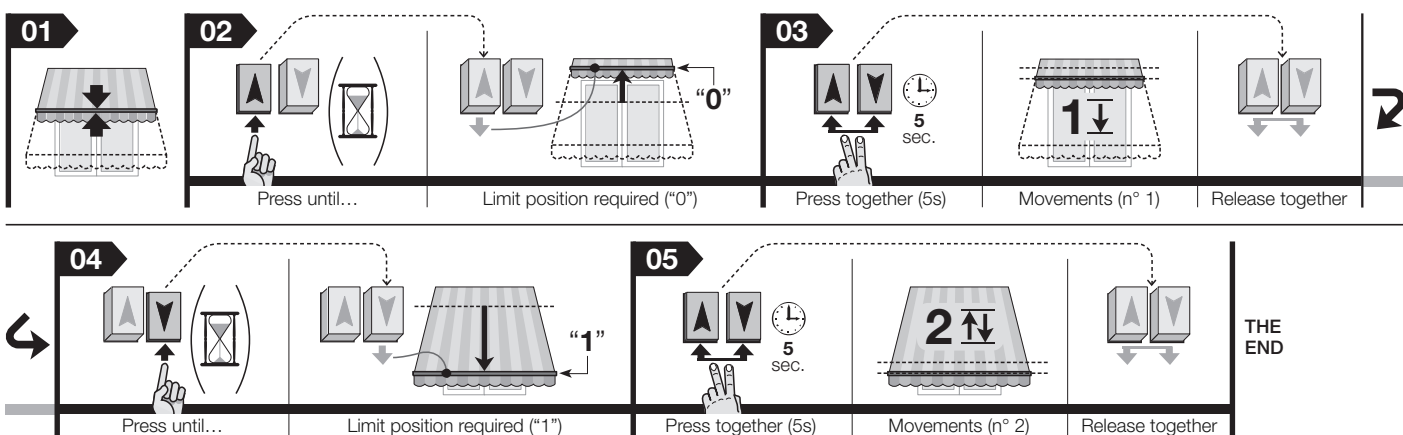
1 - Electrical connections - ref. chapter 4



- 1 - Brown: = electric ascent/descent phase.
- 2 - Black: = electric descent/ascent phase.
- 3 - Blue: = Common (usually connected to Neutral).
- 4 - Yellow-green: = Earth (equipotential bonding connection – does not exist in the E Star ST engine).

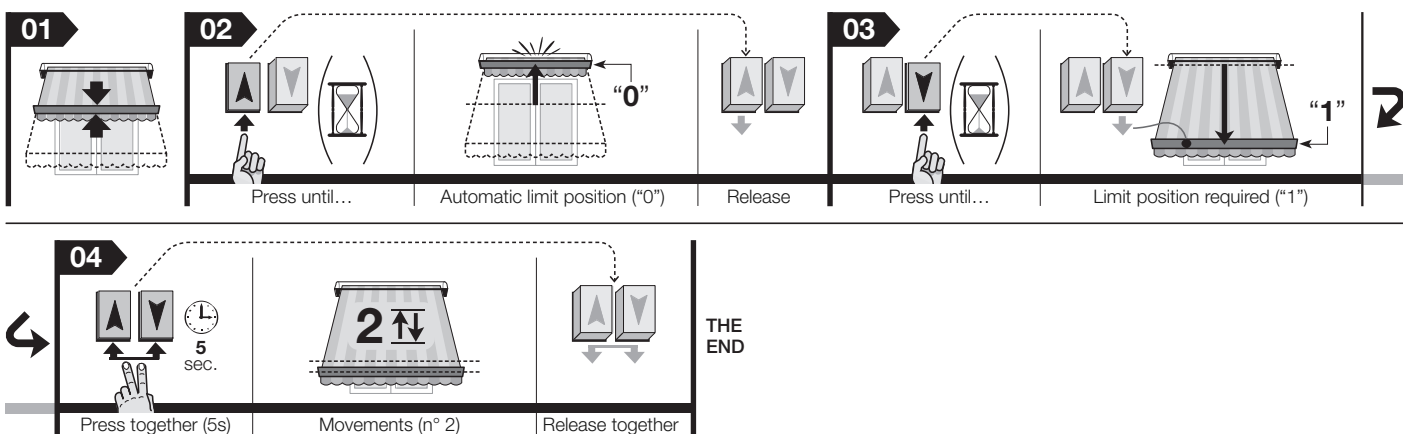
2 - Programming limit positions "0" and "1" MANUALLY - ref. paragraph 5.3

The high limit switch (0) or the low limit switch (1) can be memorised at the beginning according to your needs.

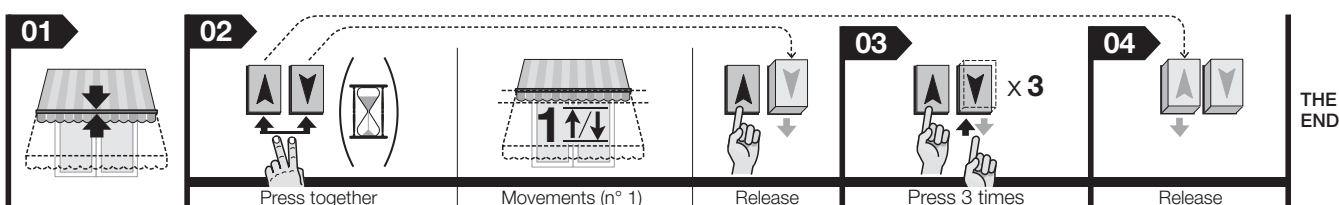


3 - Programming limit positions "0" and "1" SEMI-AUTOMATICALLY - ref. paragraph 5.4

(The "RDC" function remains enabled)



4 - Deleting the entire memory - ref. paragraph 5.9



Complete Manual

Notes to manual consultation – Some figures referred to in the text are provided at the end of the manual.

1 SAFETY WARNINGS AND GENERAL PRECAUTIONS

1.1 - Safety warnings

- **CAUTION!** - Important safety instructions. For personal safety, it is important to follow these instructions as incorrect installation could cause serious injury. Carefully read the instructions before starting work; if in any doubt, contact the Nice Service Centre for assistance.
- **CAUTION!** - Keep these instructions in a safe place to enable future product maintenance and disposal procedures.
- **CAUTION!** - All installation, connection, programming and maintenance operations must be performed exclusively by suitably qualified and skilled personnel in observance of local legislation, standards and regulations and the instructions in this manual.

1.2 - Installation warnings

- Before starting installation, ensure that this product is suitable for automating your sun awning (read paragraph 3.1).
- All product installation and maintenance operations must be performed with the automation disconnected from the power mains. As a precaution, before starting work, affix a notice on the disconnect device, with the text "CAUTION! MAINTENANCE IN PROGRESS".
- Before starting installation operations, move all unnecessary cables away from the area; also deactivate any mechanisms not required for motor-powered operation of the awning.
- If the product is installed at a height of less than 2.5 m from the floor or other support surface, the moving parts must be protected with a suitable covering, to avoid inadvertent access. To fit such a protection, refer to the awning instruction manual, and ensure that access is guaranteed for future maintenance operations.
- During installation, handle the product with care, avoiding the risk of crushing, impact, dropping or contact with any type of liquid; do not drill or insert screws on the motor exterior and do not place the product in the vicinity of heat sources or naked flames (fig. 1). This may damage product and cause malfunctions, fire or hazardous situations. If this occurs, suspend installation immediately and contact the Nice Technical Assistance.
- During installation, never fit screws along the internal roller section subject to transit of the tubular motor. This could cause damage to the motor.
- Do not disassemble the product in any way other than as envisaged in this manual.
- Never make any modifications to part of the product other than those specified in this manual. Operations other than as specified can only cause malfunctions. The manufacturer declines all liability for damage caused by makeshift modifications to the product.
- The product power cable is in PVC and is therefore suitable for installation exclusively indoors. If installed outdoors, the cable must be laid in protective ducting.
- If the power cable is damaged, the product cannot be used as the cable cannot be replaced. Therefore contact the Nice Technical Assistance.
- During system set-up, keep all persons far from the awning when moving.
- The product packaging material must be disposed of in full observance of current local legislation governing waste disposal

1.3 - Operation warnings

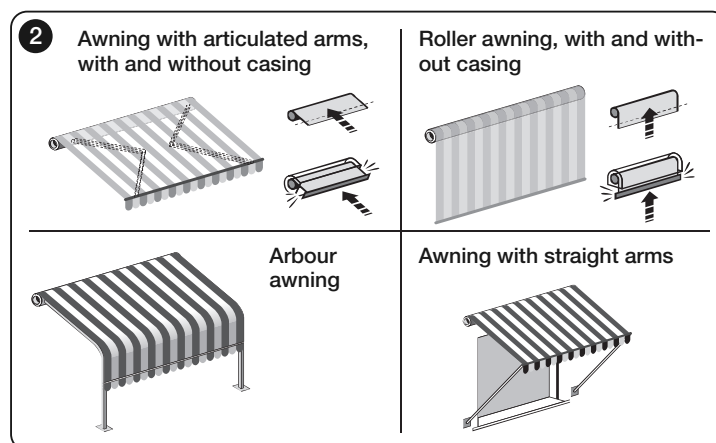
- This product is not designed to be used by persons (including children) whose physical, sensorial or mental capacities are reduced, or with lack of experience or skill, unless suitable instructions regarding use of the product have been provided by a person responsible for safety or under supervision of the latter.
- Children in the vicinity must be supervised at all times to prevent them playing with the automation.
- Never allow children to play with fixed control devices. Keep all portable control devices (remote controls) out of the reach of children.
- During a manoeuvre, check the automation and keep all persons at a safe distance until the movement has been completed.
- Never activate the awning if maintenance work is being performed (e.g. an adjacent window is being cleaned). If the control device is automatic, disconnect the awning from the power supply.
- Always remember to frequently check the balancing springs and cable wear (if these mechanisms are present). Do not use the automation if adjustments or repairs are required. In this case always contact a specialised technician to solve the problem.

2 PRODUCT DESCRIPTION AND INTENDED USE

Era Star T is a range of tubular motors designed exclusively to automate various types of sun awning (see fig. 2). **Any other use is strictly prohibited! The manufacturer declines all liability for damage resulting from improper use of the product and other than as specified in this manual.**

Product functional specifications:

- is powered by the mains (see data on the motor's rating plate);
- installed inside the awning winder roller, the protruding face is fixed by means of the special Nice screws and/or support brackets (not supplied in the pack);
- designed to move the awning up and down;
- supplied with built-in control unit with encoder technology to guarantee electronic control of movement and limiter precision;
- is programmed via a wall-mounted keypad (non interlocked buttons) or a TTU programmer (accessories not supplied in pack);
- is controlled via a wall-mounted pushbutton control panel: it is advisable to use a momentary or maintained-contact switch with interlocked buttons;
- fitted with a thermal cut-out which, in the event of overheating due to use of the automation in excess of the set limits, automatically shuts off the power supply and only restores operation when the temperature returns within the normal range.



3 PRODUCT INSTALLATION

3.1 - Preliminary checks – Application limit

Before proceeding with installation, perform the following checks:

- Check the condition of product components as soon as they are removed from the packaging.
- Check suitability of the selected motor by comparing the rated technical specifications with those of your awning; **NEVER install the motor if its specifications (rated torque, rotation speed and operation time) are not suitable for operation with your awning. In particular, the motor torque MUST NOT EXCEED that required to move the awning.** Further limitations of use are given in the "Technical specifications" chapter.
- Check the diameter of the winding roller. This must be chosen according to the motor torque, as follows:
 - for motors that are size "S" ($\varnothing = 35$ mm), the minimum inside diameter of the winding roller must be 40 mm;
 - for motors that are size "M" ($\varnothing = 45$ mm) and have a torque of up to 35 Nm (included), the minimum inside diameter of the winding roller must be 52 mm;
 - for motors that are size "M" ($\varnothing = 45$ mm) and have a torque of up to 35 Nm, the minimum inside diameter of the winding roller must be 60 mm;
 - for motors that are size "L" ($\varnothing = 58$ mm), the minimum inside diameter of the winding roller must be 70 mm.
- Before automating a sun awning, ensure that there is sufficient clearance in front of the awning to enable the envisaged total opening.
- In the case of outdoor installation, ensure that the motor is adequately protected against atmospheric agents.

3.2 - Tubular motor assembly and installation

Caution! - Before proceeding with assembly and installation of the tubular motor, carefully read the warnings in paragraph 1.2. Incorrect installation can lead to serious injury.

To assemble and install the tubular motor, refer to fig. 3. Consult the Nice product catalogue or the web site www.niceforyou.com to select the limit switch ring (fig. 3-a), the drive ring (fig. 3-b) and the motor fixing bracket (fig. 3-f).

• Installing the wall-mounted pushbutton panel

Install a control pushbutton panel on the wall, taking care to observe the following:

- select a 2-button panel (*Up* and *Down*).
- it is advisable to use a “hold-to-run” pushbutton control panel, i.e. it is necessary to **press and hold the button** for the desired duration of the manoeuvre.
- position the pushbutton panel in sight of the awning but far from moving parts.
- position the pushbutton panel to the side of the awning, in the location of the electric cable from the tubular motor and power cable routed from the electric mains.
- position the pushbutton panel at a height of at least 1.5 m from the ground.

4 ELECTRICAL CONNECTIONS

Caution!

- Incorrect connections can cause faults or hazardous situations.
- Strictly observe the connections specified in this manual.
- A disconnect device must be installed on the product power supply line, with a gap between contacts to ensure complete disconnection in overvoltage category III, in compliance with installation regulations (the disconnect device is not supplied with the product).

For electrical connections, refer to the wiring diagram in **fig. 4**. More than one motor can be controlled with one single pushbutton control panel by connecting the motors “in parallel”. The cable for electrical connections of the tubular motor has 4 internal wires:

- **Brown:** = electric ascent/descent phase.
- **Black:** = electric descent/ascent phase.
- **Blue:** = Common (usually connected to Neutral).
- **Yellow-green:** = Earth (equipotential bonding connection – does not exist in the E Star ST engine).

Caution! – The maximum length of the cables used to connect a wall-mounted panel or a relay is 100 m.

• Associating the *Up* and *Down* movements with the respective pushbuttons

After making the connections, run a number of manoeuvres (*) to ensure that the ascent and descent movements are associated correctly with the respective control buttons. If this is not so, invert the connection of the **Brown** and **Black** wires.

(*) – During execution of the manoeuvre, ensure that the awning completes 2 short movements (= operator connected correctly). The direction of motor rotation is not important.

5 PROGRAMMING

5.1 - Programming warnings

• In general

- Strictly observe the time limits specified in the procedures.
- Positions **0**, **1**, **2**, and **S** of the awning, specified in the text, correspond to those illustrated in **fig. 6**.
- During installation and adjustment, while final electrical connections are still to be made, the tubular motor can be controlled with the specific Nice “TTU” unit (**fig. 7**).

• Motor signals

- The motor implements one very short interruption at the start of the manoeuvre and then resumes movement = only 1 limit switch is memorised.
- The motor implements two very short interruptions at the start of the manoeuvre and then resumes movement = no limit switch is memorised.
- when the control button is pressed (“hold-to-run” mode), movement is started but is interrupted shortly afterwards, without completing the manoeuvre = proceed with total deletion followed by programming of the limit positions.

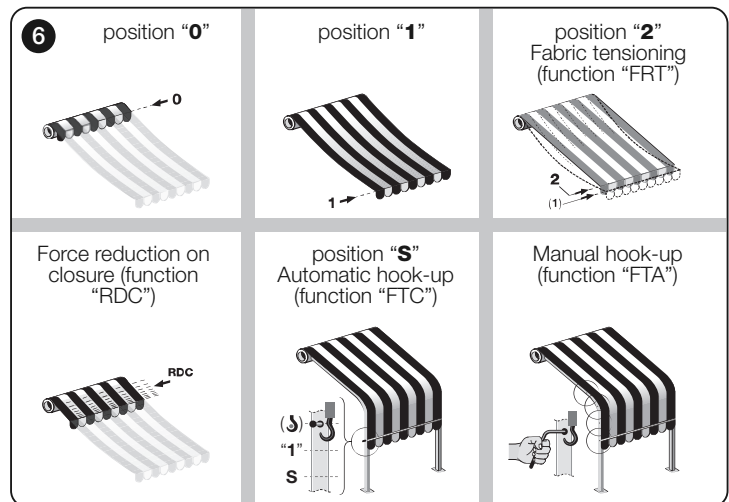
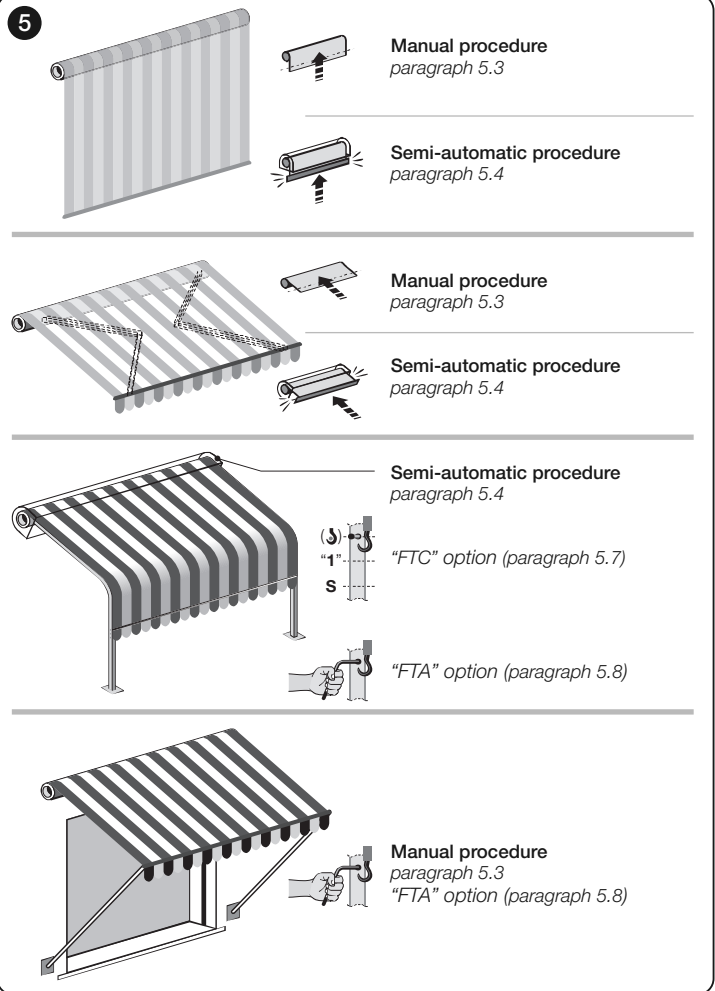
5.2 - Limit switch programming

Limit switches “0” and “1” (**fig. 6**) correspond to the positions of the awning at the end of the Up movements (“0”) and the end of the Down movements (“1”). To select the procedure most suited to the system features, refer to **fig. 5**.

• Note on “RDC” function

The **RDC** function prevents the canvas from remaining excessively tensioned at the end of the closing manoeuvre. The function automatically reduces the motor traction torque during the final phase of the closing manoeuvre (to set the required torque value, refer to paragraph 5.5).

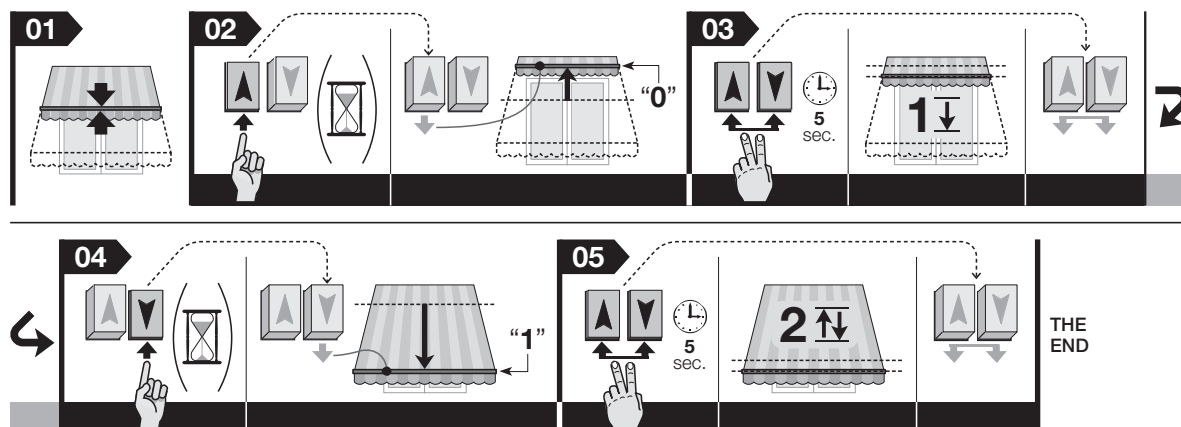
This function is set at the factory, however it is not applicable if the limit switches are programmed using the manual mode (paragraph 5.3). It can be disabled only during the programming of the limit switches in semi-automatic mode (paragraph 5.4).



5.3 - Programming limit positions "0" and "1" MANUALLY

Caution! • This programming is recommended for awnings without casings. • The high limit switch (0) or the low limit switch (1) can be memorised at the beginning according to your needs. • The RDC function cannot be enabled in these cases.

01. Use the **Up** or **Down** button to move the awning to the point of mid-travel. **Note** - during movement, 2 brief interruptions indicate that no limit position is memorised.
02. Press and hold the **Up** pushbutton until the awning moves to the required limit position, then release the button.
03. Press and hold the two **Up** and **Down** pushbuttons simultaneously until the motor has completed a short down movement, then release.
04. Press and hold the **Down** pushbutton until the awning moves to the required limit position, then release the button. **Note** - during movement, 1 brief interruption indicates that only one limit position is memorised.
05. Press and hold the two **Up** and **Down** pushbuttons simultaneously until the awning has completed one short up and down movement, then release.

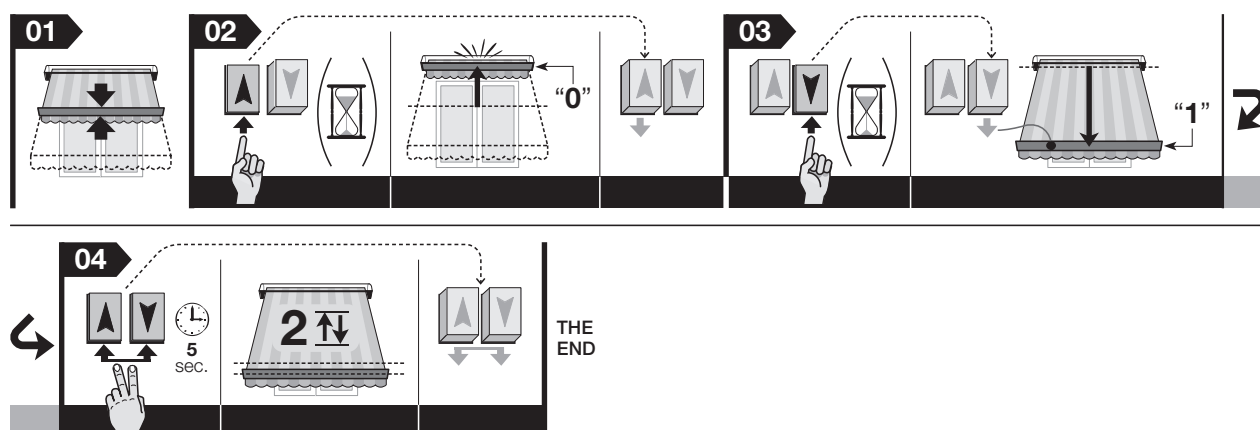


5.4 - Programming limit positions "0" and "1" SEMI-AUTOMATICALLY

Caution! • This programming mode is recommended for awnings with boxes. • Program first position "0" followed by position "1".

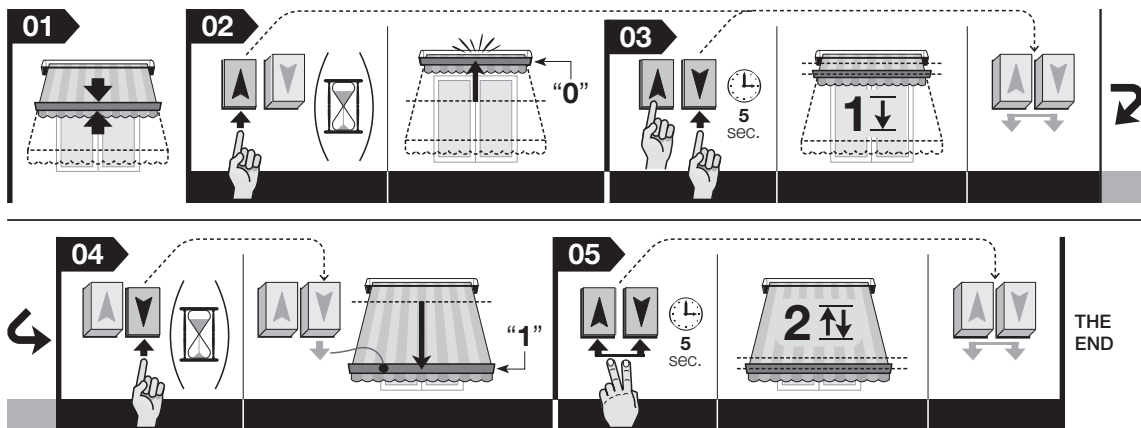
• (The "RDC" function remains enabled)

01. Use the **Up** or **Down** button to move the awning to the point of mid-travel. **Note** - during movement, 2 brief interruptions indicate that no limit position is memorised.
02. Press and hold the **Up** pushbutton until the awning stops on impact with limit switch "0"; then release the button.
03. Press and hold the **Down** pushbutton until the awning moves to the required limit position ("1"); then release the button.
04. Press and hold the two **Up** and **Down** pushbuttons simultaneously until the awning has completed one short up and down movement, then release.



• (It disables the "RDC" function)

01. Use the **Up** or **Down** button to move the awning to the point of mid-travel. **Note** - during movement, 2 brief interruptions indicate that no limit position is memorised.
02. Press and hold **Up** and wait for the awning to stop on impact with the limit switch "0" (do not release the button!).
03. With the **Up** button still pressed, press and hold the **Down** button at the same time and wait for the awning to complete a short down movement; then release the two buttons.
04. Press and hold the **Down** pushbutton until the awning moves to the required limit position ("1"); then release the button.
05. Press and hold the two **Up** and **Down** pushbuttons simultaneously until the awning has completed one short up and down movement, then release.



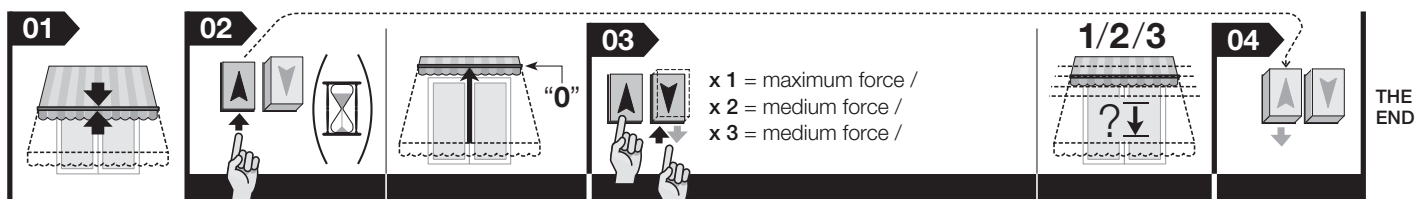
5.5 - Setting force on closure: "RDC" function

Caution! - The "RDC" function level can only be personalised after programming the limit position values "0" and "1".

01. Use the **Up** or **Down** button to move the awning to the point of mid-travel.
02. Press and hold the **Up** pushbutton until the awning reaches limit position "0" (do not release the button).
03. Then, with the **Ascend** button still pressed, press the **Descent** button the number of times as the level to be selected (press each time for 1 second, with a pause of 1 second before pressing again). With the **Up** button still pressed, wait until the awning completes the same number of movements (in the down direction) as the new level set. The levels available are:

level 1 = maximum force (factory setting.) / level 2 = medium force / level 3 = minimum force

04. Then release the **Up** button.



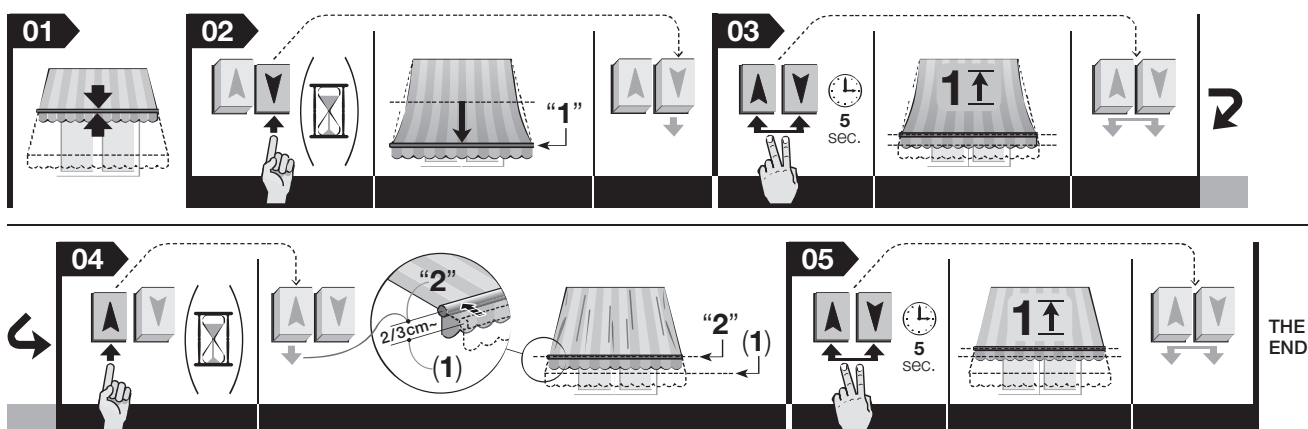
5.6 - Tensioning the fabric: "FRT" function (position "2")

This function is used to tension the awning canvas when open. The function is activated by programming position "2" in Era Star T. During use of the automation, when the awning opens, the motor moves it first to position "1" and then immediately tensions the canvas by automatically activating a short up movement to position "2".

Caution! - The "FRT" function level can only be set after programming the limit position values "0" and "1".

• To activate the "FRT" function

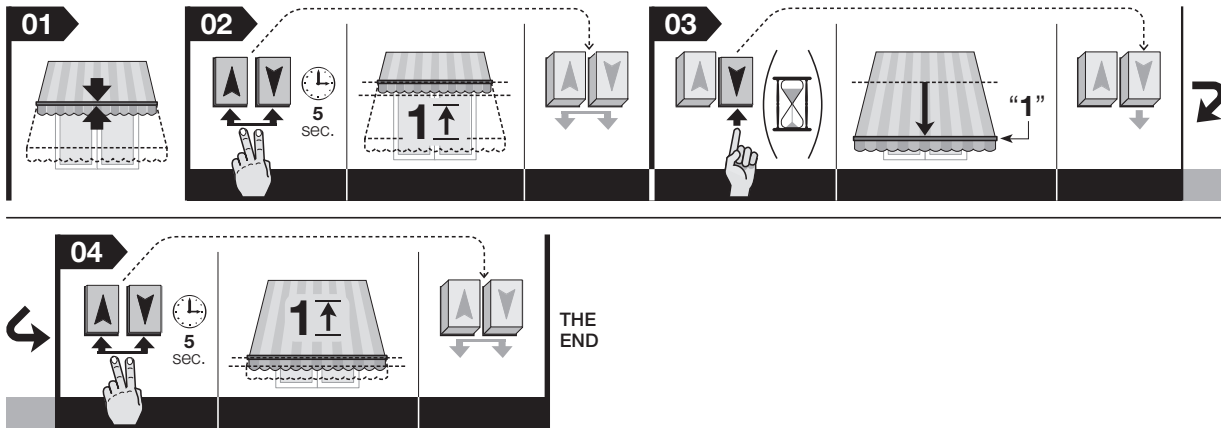
01. Use the **Up** or **Down** button to move the awning to the point of mid-travel.
02. Use the **Down** button to move the awning to position "1".
03. Press and hold both the **Up** and **Down** buttons until the awning performs a short up movement and then release the buttons.
04. Use the **Up** button to close the awning by a few centimetres, until the canvas can be seen to be adequately tensioned (this will be position "2").
05. Press and hold both the **Up** and **Down** buttons until the awning performs a short up movement and then release the buttons.



• **To deactivate the “FRT” function**

01. Use the **Up** or **Down** button to move the awning to the point of mid-travel.
02. Press and hold both the **Up** and **Down** buttons until the awning performs a short up movement and then release the buttons.
03. Press and hold the **Down** button to move the awning to limit position “1” and release at **exactly** the time at which the awning stops at this limit.
04. Press and hold both the **Up** and **Down** buttons until the awning performs a short up movement and then release the buttons.

Note – After cancelling position “2” the awning will move between the limit positions “0” and “1”.



5.7 - Awning with AUTOMATIC hook-up of fabric on opening: “FTC” function

This function enables automatic connection and disconnection of the awning. The “FTC” function can only be activated if the automatic fabric connect/disconnect mechanism is present on the awning, **in a single position**, located in alignment with the awning opening position. The motor enables memorisation of only one hook-up position.

In general this type of mechanism has a stop for mechanical connection of the awning and two additional points (positioned beyond the stop) which the awning must reach to enable connection (in position “1”) and disconnection (in position “S”) of the canvas.

Therefore to ensure correct operation of this mechanism, the two positions “1” and “S” must be set and memorised as described below.

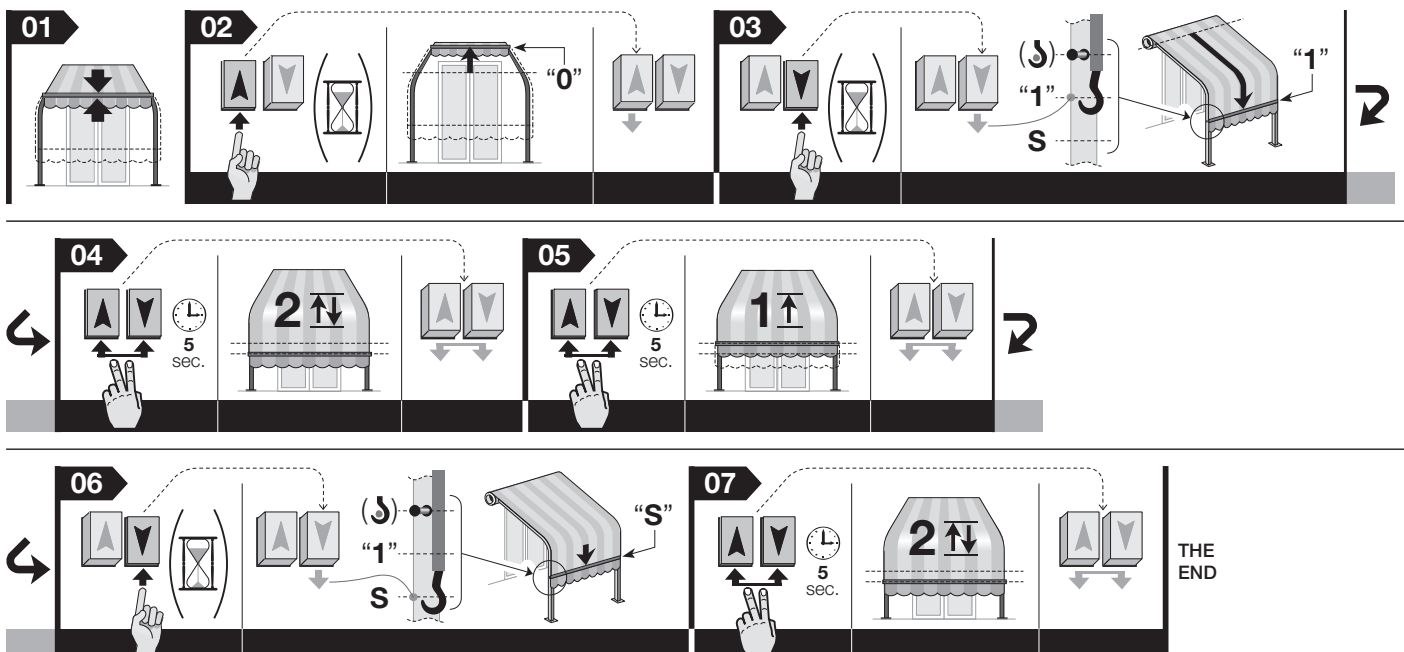


Caution!

- Before programming the “FTC” function, ensure that limit positions “0” and “1” have not been memorised; if necessary, cancel them according to procedure 5.9.
- Position “1” must be located a few centimetres beyond the mechanical connection stop. During opening, this will enable the canvas to reach first position “1” and then hook up to the mechanical stop during ascent.
- Position “S” must be located a few centimetres beyond the disconnection mechanism. During closure, this will enable the canvas to reach first position “S”, automatically detach from the mechanical stop and then raise to the closing limit position “0”.

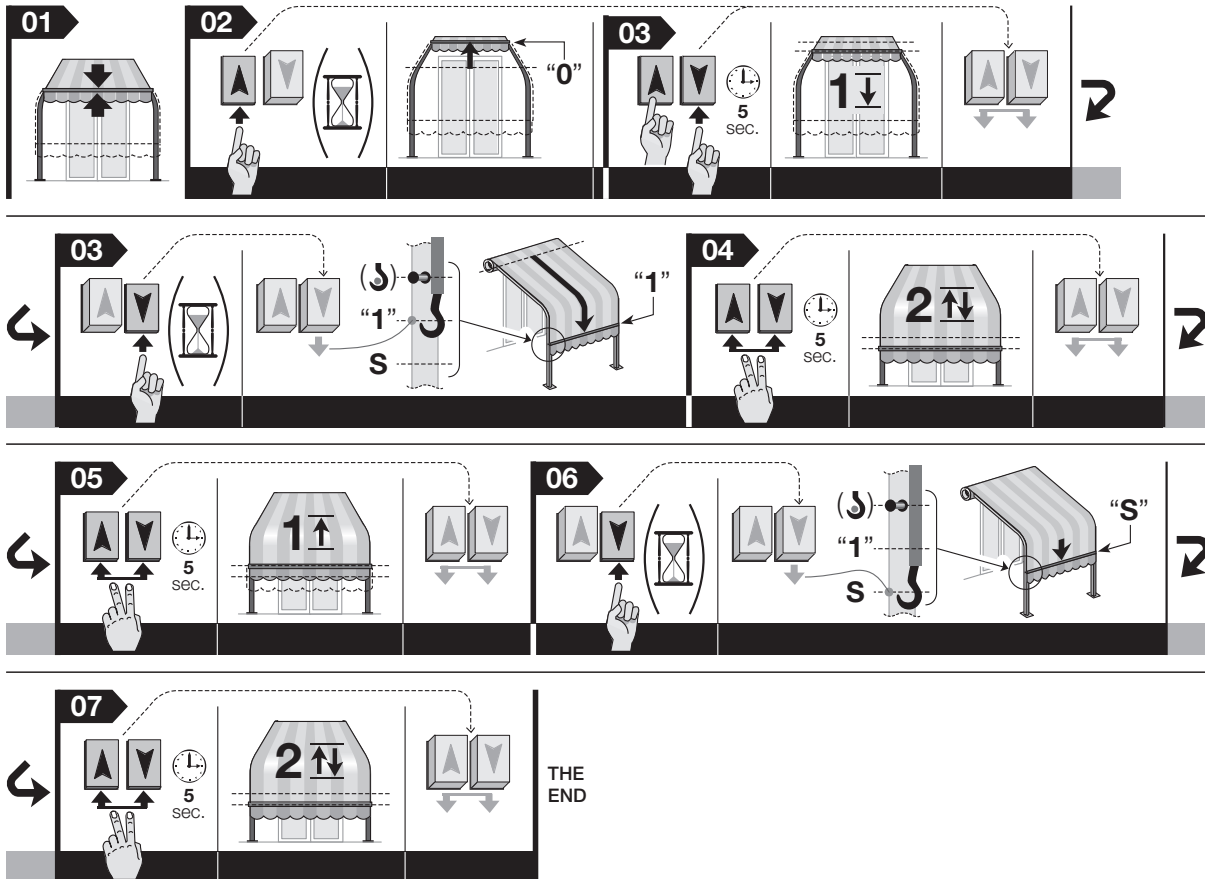
• **(The “RDC” function remains enabled)**

01. Use the **Up** or **Down** button to move the awning to the point of mid-travel.
02. Press and hold **Up** until the awning stops automatically at limit switch “0”; then release the button.
03. Press and hold **Down** and move the awning beyond the hook-up point, stopping it a few centimetres further than this point (if necessary correct the position using the two buttons).
04. Press and hold the **Up** and **Down** buttons simultaneously and wait for the awning to complete two short movements: one up movement and (after a few seconds) one down movement, until it stops again in the set position. Then release the two buttons.
05. Press and hold both the **Up** and **Down** buttons simultaneously until the awning performs a short up movement. Then release the two buttons.
06. Use the **Up** and **Down** buttons again to move the awning to disconnect position “S”.
07. Press and hold the **Up** and **Down** buttons simultaneously and wait for the awning to complete two short movements: one up movement and (after a few seconds) one down movement, until it stops again in the set position. Then release the two buttons.

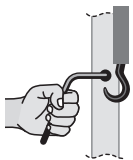


• (It disables the "RDC" function)

01. Use the **Up** or **Down** button to move the awning to the point of mid-travel.
02. Press and hold **Up** and wait for the awning to stop automatically at limit switch "0" (do not release the button!).
03. With the **Up** button still pressed, press and hold the **Down** button at the same time and wait for the awning to complete a short down movement; then release the two buttons.
04. Press and hold the **Up** and **Down** buttons simultaneously and wait for the awning to complete two short movements: one up movement and (after a few seconds) one down movement, until it stops again in the set position. Then release the two buttons.
05. Press and hold both the **Up** and **Down** buttons simultaneously until the awning performs a short up movement. Then release the two buttons.
06. Use the **Up** and **Down** buttons again to move the awning to disconnect position "S".
07. Press and hold the **Up** and **Down** buttons simultaneously and wait for the awning to complete two short movements: one up movement and (after a few seconds) one down movement, until it stops again in the set position. Then release the two buttons.



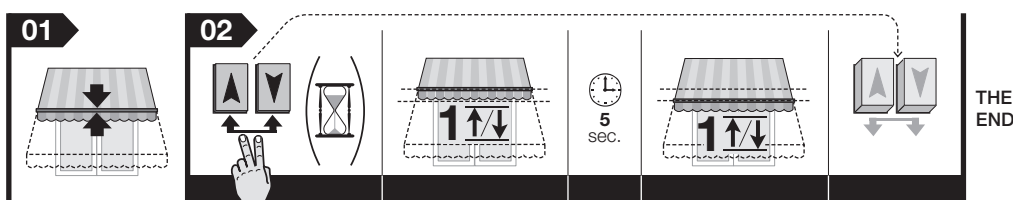
5.8 - Awning with **MANUAL** hook-up of fabric on opening: "FTA" function



This function has been developed exclusively for awnings with a manual mechanism to block the canvas in the opening position (for example the mechanism on awnings with straight arms, on arbour awnings etc.). The motor enables memorisation of only one hook-up position. If the function is active, during closure the motor is stopped automatically as soon as the awning comes into contact with the blocking mechanism on its route. To then release the awning, press the **Down** button, wait for the awning to reach limit position "1", release the mechanism manually and close the awning by means of the **Up** button.

Caution! - The "FTA" function can only be set after programming the limit position values "0" and "1". When "FTA" is active, the "RDC" function acts on the entire travel of the awning.

01. Use the **Up** or **Down** button to move the awning to the point of mid-travel.
02. Press and hold the **Up** and **Down** buttons simultaneously and wait for the awning to perform a short movement, a pause and then a second short move

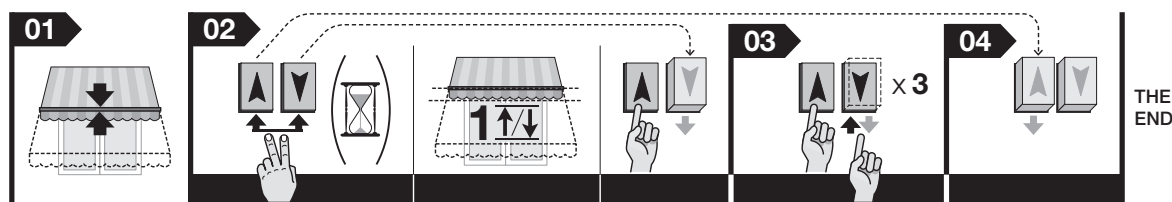


5.9 - Deleting the entire memory

Caution! - This procedure deletes all data in the Control unit memory, including positions "0" and "1".

01. Use the **Up** or **Down** button to move the awning to the point of mid-travel.
02. Press and hold the **Up** and **Down** buttons simultaneously and wait for the awning to perform a short movement, after which release only one of the two buttons
03. With 3 seconds after the awning has performed the short movement, press the previously released button (in point 02) three times.
04. Release the other pushbutton.

Note – If cancellation is completed correctly, on activation of an up or down command, the awning will perform two short movements (= no limit position programmed).



6 WARNINGS FOR DAILY USE OF THE AUTOMATION

6.1 - Maximum continuous work cycle

In general the tubular motors in the "Max" range, while guaranteeing a maximum continuous use of 4 minutes, are designed for residential applications and therefore for discontinuous use. Therefore in the event of overheating (for example due to continuous and prolonged activation) a thermal cut-out trips automatically to shut off power supply. Power is only restored when the temperature returns to within the normal range.

What to do if ... (troubleshooting guide)

- ❑ **When an electric phase is powered, the motor does not move:**
Unless a thermal cut-out has tripped, in which case it is sufficient to wait for the motor to cool, check that the mains power voltage corresponds to the data stated in the technical specifications in this manual, measuring the energy between the "common" wire and that of the powered electric wire. Then try and power the opposite electric phase.
- ❑ **When an up command is made, the motor does not start:**
If the awning is already closed or nearly closed, the motor does not perform the up manoeuvre. In this case move the awning down slightly and then repeat the up command.
- ❑ **The system operates in emergency hold-to-run conditions**
 - Check whether the motor has been subject to a severe electrical or mechanical shock.
 - Check that all motors components are intact.
 - Perform the deletion procedure (paragraph 5.9) and programme the limit switches again.

Disposal of the product

This product constitutes an integral part of the automation system, therefore it must be disposed of along with it.

As in installation, also at the end of product lifetime, the disassembly and scrapping operations must be performed by qualified personnel.

This product is made up of different types of material, some of which can be recycled while others must be disposed of. Seek information on the recycling and disposal systems envisaged by the local regulations in your area for this product category.

Caution! - some parts of the product may contain pollutant or hazardous substances which, if disposed of into the environment, may cause serious damage to the environment or physical health.

As indicated by the symbol on the left, disposal of this product in domestic waste is strictly prohibited. Separate the waste into categories for disposal, according to the methods envisaged by current legislation in your area, or return the product to the retailer when purchasing a new version.

Caution! - Local legislation may envisage serious fines in the event of abusive disposal of this product.



Technical specifications

Power supply voltage: 230 Vac - 50 Hz

Power absorption on standby: 0,5 W

Encoder resolution: 2,7°

Continuous operation time: 4 min

Connection cable length: 2,5 m

Operating temperature: -20°C

IP Protection rating: IP 44

Note:

- All technical characteristics refer to an ambient temperature of 20°C (± 5°C).
- Nice S.p.a. reserves the right to apply modifications to the product at any time when deemed necessary, while maintaining the same functionalities and intended use.

EC declaration of conformity

Nice S.p.a. hereby declares that the products: **E Star ST 324, E Star ST 524, E Star ST 611, E Star ST 1011, E Star ST 430, E Star MT 1030, E Star MT 817, E Star MT 1517, E Star MT 3017, E Star MT 4012, E Star MT 5012, E Star LT** comply with the essential requirements and other relevant provisions as established by the directives **2006/95/EC, 2004/108/EC**. The EC declaration of conformity can be consulted and printed out at the web site www.nice-service.it or may be requested from Nice S.p.a.

Ing. Luigi Paro
(Managing Director)

Guida rapida

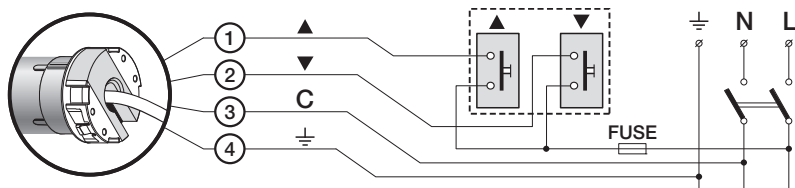
Era Star T motore tubolare per tende da sole

Nota alla consultazione • In questa Guida rapida la numerazione delle figure è autonoma e non corrisponde alla numerazione citata nel testo del Manuale completo. • Questa guida non sostituisce il Manuale completo.

Nice

ITALIANO

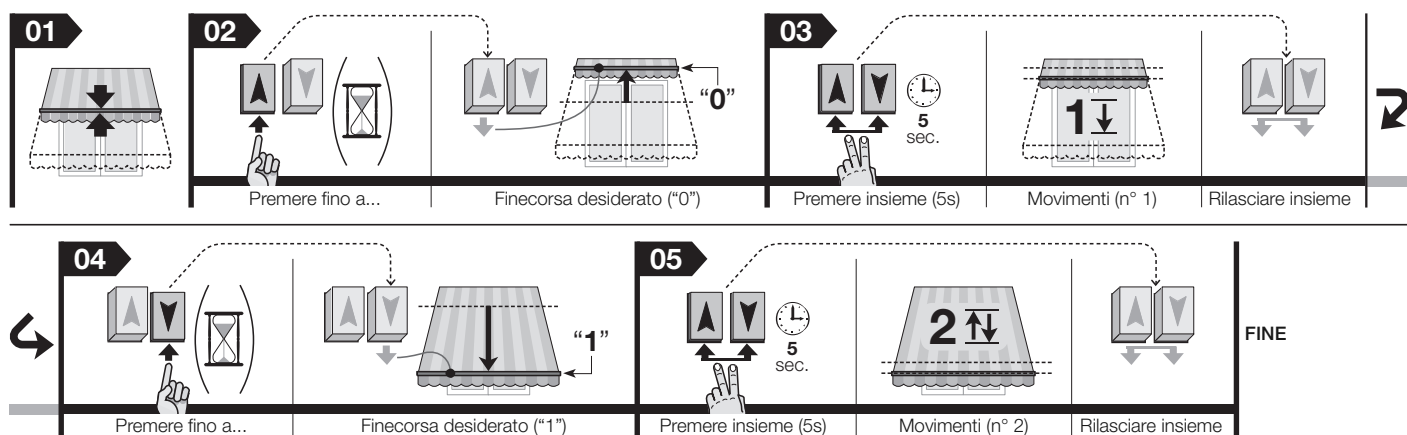
1 - Collegamenti elettrici - rif. capitolo 4



- 1 - Marrone: = Fase elettrica di salita / discesa.
- 2 - Nero: = Fase elettrica di discesa / salita.
- 3 - Blu: = Comune (di solito collegato al Neutro).
- 4 - Giallo-verde: = Terra (collegamento equipotenziale di protezione – non esiste nel motore E Star ST).

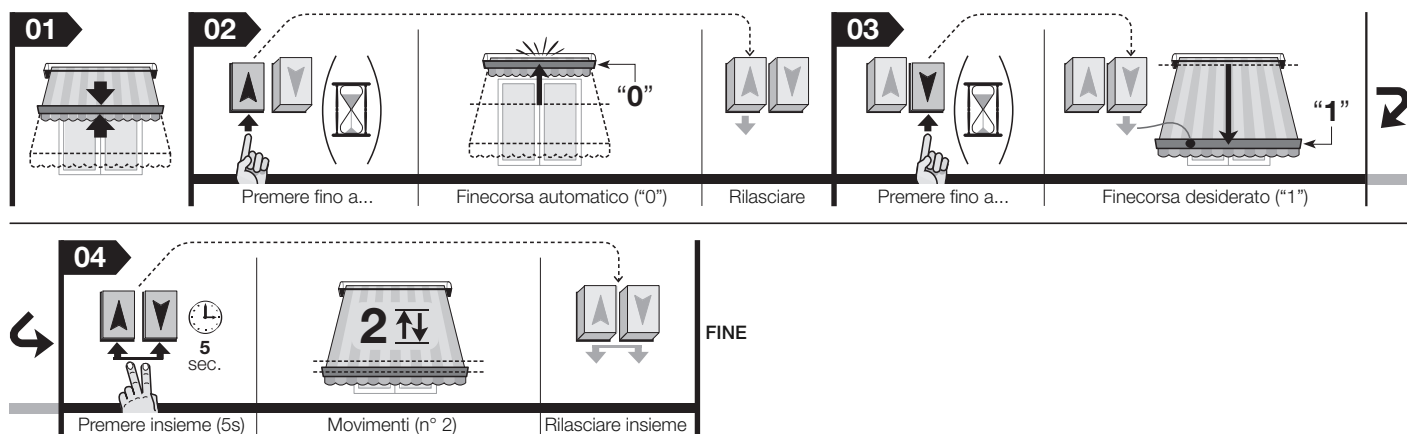
2 - Programmare i finecorsa "0" e "1" in modo MANUALE - rif. paragrafo 5.3

È possibile memorizzare indistintamente prima il finecorsa alto (0) o il finecorsa basso (1), secondo le vostre esigenze.

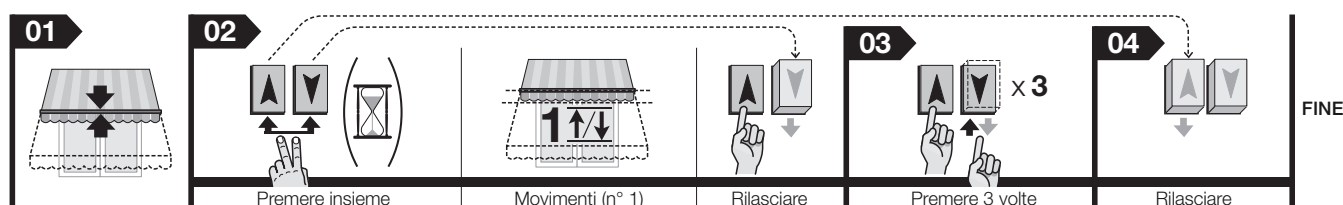


3 - Programmare i finecorsa "0" e "1" in modo SEMIAUTOMATICO - rif. paragrafo 5.4

(Mantiene attiva la funzione "RDC")



4 - Cancellazione totale della memoria - rif. paragrafo 5.9



Manuale completo

Nota alla consultazione del manuale – Alcune figure citate nel testo sono riportate alla fine del manuale.

1 AVVERTENZE E PRECAUZIONI GENERALI PER LA SICUREZZA

1.1 - Avvertenze per la sicurezza

- **ATTENZIONE!** - Importanti istruzioni di sicurezza. Per la sicurezza delle persone è importante seguire queste istruzioni in quanto, un'installazione impropria può provocare gravi ferite. Leggere attentamente le istruzioni prima di iniziare il lavoro; in caso di dubbi chiedere chiarimenti al Servizio Assistenza Nice.
- **ATTENZIONE!** - Conservare queste istruzioni per eventuali interventi futuri di manutenzione e di smaltimento del prodotto.
- **ATTENZIONE!** - Tutte le operazioni di installazione, di collegamento, di programmazione e di manutenzione del prodotto devono essere effettuate esclusivamente da un tecnico qualificato e competente, rispettando le leggi, le normative, i regolamenti locali e le istruzioni riportate in questo manuale.

1.2 - Avvertenze per l'installazione

- Prima di iniziare l'installazione verificare se il presente prodotto è adatto ad automatizzare la vostra tenda da sole (leggere il paragrafo 3.1).
- Tutte le operazioni di installazione e di manutenzione del prodotto devono essere effettuate con l'automatismo scollegato dall'alimentazione elettrica. Per precauzione, prima di iniziare il lavoro attaccare sul dispositivo di sconnessione un cartello con la scritta "ATTENZIONE! MANUTENZIONE IN CORSO".
- Prima di iniziare l'installazione, allontanare tutti i cavi elettrici che non sono necessari all'impianto; disattivare anche tutti i meccanismi che non sono necessari al funzionamento motorizzato della tenda.
- Se il prodotto è installato ad un'altezza inferiore a 2,5 m dal pavimento o da altra superficie di appoggio, è necessario proteggere le parti in movimento mediante una copertura, per impedire l'accesso accidentale. Per realizzare la protezione fare riferimento al manuale istruzioni della tenda, garantendo comunque l'accesso per gli interventi di manutenzione.
- Durante l'installazione maneggiare con cura il prodotto: evitare schiacciamenti, urti, cadute o contatti con qualsiasi liquido; non forare e non applicare viti all'esterno del motore; non mettere il prodotto vicino a fonti di calore e non esporlo a fiamme libere (fig. 1). Queste azioni possono danneggiare il prodotto ed essere causa di malfunzionamenti o situazioni di pericolo. In questi casi sospendere immediatamente l'installazione e rivolgersi al Servizio Assistenza Nice.
- Durante l'installazione, lungo il tratto di rullo attraversato internamente dal motore tubolare, non devono essere applicate viti. Queste potrebbero danneggiare il motore.
- Non smontare il prodotto oltre le operazioni previste in questo manuale.
- Non eseguire modifiche su nessuna parte del prodotto oltre a quelle riportate in questo manuale. Operazioni non permesse possono causare solo malfunzionamenti. Il costruttore declina ogni responsabilità per danni derivanti da modifiche arbitrarie al prodotto.
- Il cavo di alimentazione del prodotto è adatto per essere installato esclusivamente all'interno, in quanto è in PVC. Se l'installazione avviene all'esterno, posare il cavo in un tubo di protezione.
- Se il cavo di alimentazione è danneggiato, il prodotto non può essere utilizzato perché il cavo non può essere sostituito. In questi casi, contattare il Servizio Assistenza Nice.
- Durante la realizzazione dell'impianto, mantenere le persone lontane dalla tenda quando questa è in movimento.
- Il materiale dell'imballo del prodotto deve essere smaltito nel pieno rispetto della normativa locale.

1.3 - Avvertenze per l'uso

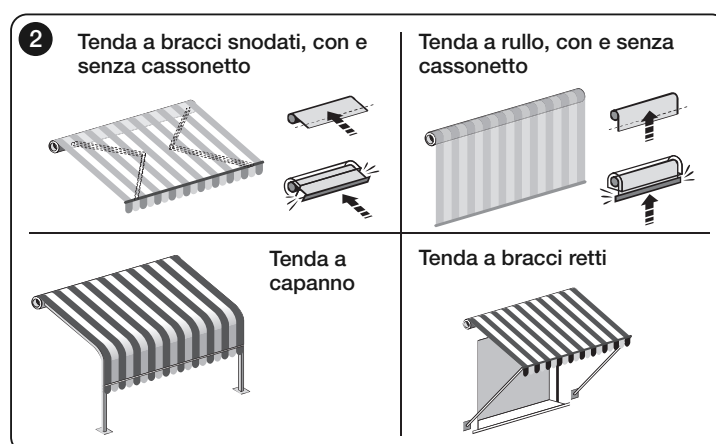
- Il prodotto non è destinato a essere usato da persone (bambini compresi) le cui capacità fisiche, sensoriali o mentali siano ridotte, oppure con mancanza di esperienza o di conoscenza, a meno che esse non abbiano potuto beneficiare, attraverso l'intermediazione di una persona responsabile della loro sicurezza, di una sorveglianza o di istruzioni riguardanti l'uso del prodotto.
- I bambini devono essere sorvegliati per sincerarsi che non giochino con l'automazione.
- Non permettere ai bambini di giocare con i dispositivi di comando fissi. Tenere i dispositivi di comando portatili (remoti) fuori dalla portata dei bambini.
- Durante l'esecuzione della manovra controllare l'automazione e mantenere le persone lontano da essa, fino al termine del movimento.
- Non azionare la tenda quando si stanno effettuando operazioni di manutenzione (ad esempio, la pulitura della finestra adiacente). Se il dispositivo di comando è di tipo automatico, scollegare la tenda dall'alimentazione elettrica.
- Ricordatevi di controllare spesso le molle di bilanciamento e l'usura dei cavi (se questi meccanismi sono presenti). Non utilizzare l'automazione se questa necessita di regolazioni o riparazione; rivolgersi esclusivamente a personale tecnico specializzato per la soluzione di questi problemi.

2 DESCRIZIONE DEL PRODOTTO E DESTINAZIONE D'USO

Era Star T è una famiglia di motori tubolari destinati esclusivamente all'automatizzazione di varie tipologie di tende da sole (vedere la fig. 2). È vietato qualsiasi altro uso! Il produttore non risponde dei danni derivanti da un uso improprio del prodotto, rispetto a quanto descritto in questo manuale.

Caratteristiche funzionali del prodotto:

- è alimentato dalla rete elettrica (leggere i dati nella targa del motore);
- si installa all'interno del rullo che avvolge la tenda; la faccia che sporge si fissa con le viti e/o le apposite staffe di supporto di Nice (non presenti nella confezione);
- può muovere la tenda in salita e in discesa;
- integra una centrale di comando con tecnologia ad encoder che garantisce il controllo elettronico del movimento e la precisione dei finecorsa;
- si programma con una pulsantiera a parete (pulsanti non interbloccati) o con un programmatore TTU (accessori non presenti nella confezione);
- si comanda con una pulsantiera a parete: si consiglia l'utilizzo di un interruttore stabile o instabile, a pulsanti interbloccati;
- è dotato di un protettore termico che, in caso di surriscaldamento dovuto a un utilizzo dell'automazione oltre i limiti previsti, interrompe automaticamente l'alimentazione elettrica e la ripristina appena la temperatura si normalizza.



3 INSTALLAZIONE DEL PRODOTTO

3.1 - Verifiche preliminari e limiti d'impiego

Prima di procedere all'installazione effettuare le seguenti verifiche:

- Verificare l'integrità dei componenti del prodotto appena estratti dall'imballo.
- Verificare l'adeguatezza del motore scelto confrontando le sue caratteristiche tecniche nominali con le caratteristiche tecniche della vostra tenda; quindi, **NON installare il motore se le sue caratteristiche (coppia nominale, velocità di rotazione e tempo di funzionamento) non sono adatte a movimentare la vostra tenda. In particolare, la coppia motore NON DEVE ESSERE SUPERIORE a quella necessaria a muovere la tenda.** Ulteriori limiti d'impiego sono contenuti nel capitolo "Caratteristiche tecniche".
- Verificare il diametro del rullo avvolgitore. Questo deve essere scelto in base alla coppia del motore, nel modo seguente:
 - per i motori con taglia "S" ($\varnothing = 35$ mm), il diametro interno minimo del rullo avvolgitore deve essere di 40 mm;
 - per i motori con taglia "M" ($\varnothing = 45$ mm) e coppia fino a 35 Nm (compresa), il diametro interno minimo del rullo avvolgitore deve essere di 52 mm;
 - per i motori con taglia "M" ($\varnothing = 45$ mm) e coppia maggiore di 35 Nm, il diametro interno minimo del rullo avvolgitore deve essere di 60 mm.
 - per i motori con taglia "L" ($\varnothing = 58$ mm), il diametro interno minimo del rullo avvolgitore deve essere di 70 mm.
- Prima di automatizzare una tenda da sole, verificare che davanti a questa ci sia spazio libero, sufficiente alla sua apertura totale prevista.
- In caso di installazione all'esterno, garantire al motore un'adeguata protezione dagli agenti atmosferici.

3.2 - Assemblaggio e installazione del motore tubolare

Attenzione! - Prima di procedere all'assemblaggio e all'installazione del motore tubolare, leggere attentamente le avvertenze riportate nel paragrafo 1.2. L'installazione non corretta può causare gravi ferite.

Per assemblare e installare il motore tubolare fare riferimento alla fig. 3. Consultare il catalogo dei prodotti Nice o il sito www.niceforyou.com per scegliere la corona del finecorsa (fig. 3-a), la ruota di trascinamento (fig. 3-b) e la staffa di fissaggio (fig. 3-f) del motore.

• Installare la pulsantiera di comando a parete

Installare sulla parete una pulsantiera di comando, facendo attenzione alle seguenti avvertenze:

- scegliere una pulsantiera a 2 pulsanti (*Salita e Discesa*).
- si consiglia di utilizzare una pulsantiera che funziona a "uomo presente", cioè in cui occorre mantenere premuto il pulsante per la durata desiderata della manovra.
- posizionare la pulsantiera in vista della tenda ma lontano dalle sue parti in movimento.
- posizionare la pulsantiera a lato della tenda, dove sono presenti il cavo elettrico proveniente dal motore tubolare e il cavo di alimentazione proveniente dalla rete elettrica.
- posizionare la pulsantiera ad un'altezza superiore a 1,5 m dal pavimento.

4 COLLEGAMENTI ELETTRICI

Attenzione!

- Un collegamento errato può provocare guasti o situazioni di pericolo.
- Rispettare scrupolosamente i collegamenti indicati in questo manuale.
- Nella rete di alimentazione del prodotto è necessario installare un dispositivo di disconnessione dalla rete, che abbia una distanza di apertura dei contatti tale da consentire la disconnessione completa nelle condizioni della categoria di sovratensione III, conformemente alle regole di installazione (il dispositivo di sconnessione non è fornito con il prodotto).

Per i collegamenti elettrici, fare riferimento allo schema elettrico di **fig. 4**. È possibile comandare più motori con un'unica pulsantiera, collegando questi motori "in parallelo". Il cavo per i collegamenti elettrici del motore tubolare possiede all'interno 4 conduttori:

- **Colore Marrone:** = Fase elettrica di salita / discesa.
- **Colore Nero:** = Fase elettrica di discesa / salita.
- **Colore Blu:** = Comune (di solito collegato al Neutro).
- **Colore Giallo-verde:** = Terra (collegamento equipotenziale di protezione - non esiste nel motore E Star ST).

Attenzione! - La lunghezza massima dei cavi per collegare una pulsantiera a parete o un comando, a relè è di 100 m.

• Abbinamento dei movimenti di Salita e Discesa ai rispettivi pulsanti

Al termine dei collegamenti comandare qualche manovra(*) per verificare se i movimenti di salita e discesa sono abbinati correttamente ai rispettivi pulsanti di comando. Se non è così, invertire il collegamento tra i conduttori **Marrone e Nero**.

(*) - Durante l'esecuzione della manovra accertarsi che la tenda esegua 2 brevi movimenti (= *automatismo collegato correttamente*). Non è importante la direzione nella quale ruota il motore.

5 PROGRAMMAZIONE

5.1 - Avvertenze alla programmazione

• In generale

- Rispettare rigorosamente i limiti di tempo indicati nelle procedure.
- Le posizioni **0**, **1**, **2**, **S** della tenda, citate nel testo, corrispondono a quelle illustrate in **fig. 6**.
- durante le operazioni di installazione e regolazione, quando non ci sono ancora i collegamenti elettrici definitivi è possibile comandare il motore tubolare con l'apposita unità TTU di Nice (**fig. 7**).

• Segnalazioni eseguite dal motore

- ❑ Il motore esegue **1 brevissima interruzione all'inizio della manovra e poi riprende il movimento** = è memorizzato solo 1 finecorsa.
- ❑ Il motore esegue **2 brevissime interruzioni all'inizio della manovra e poi riprende il movimento** = nessun finecorsa memorizzato.
- ❑ **Mantenendo premuto il pulsante di comando (modalità "Uomo presente") il movimento parte ma si interrompe poco dopo, senza concludere la manovra** = procedere con la cancellazione totale e successivamente con la programmazione dei finecorsa.

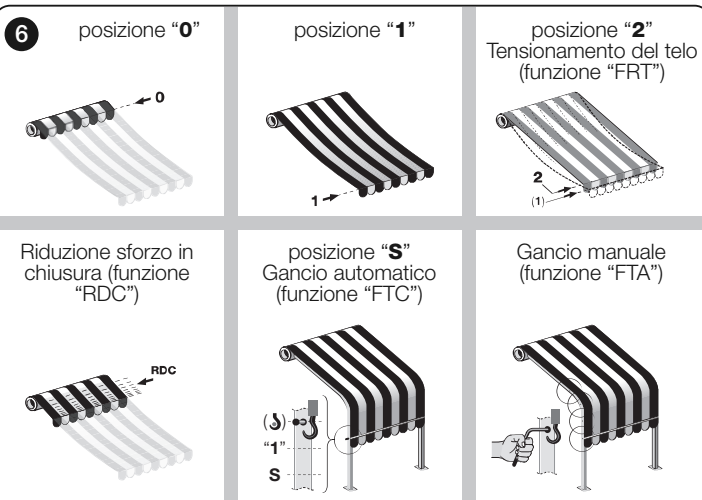
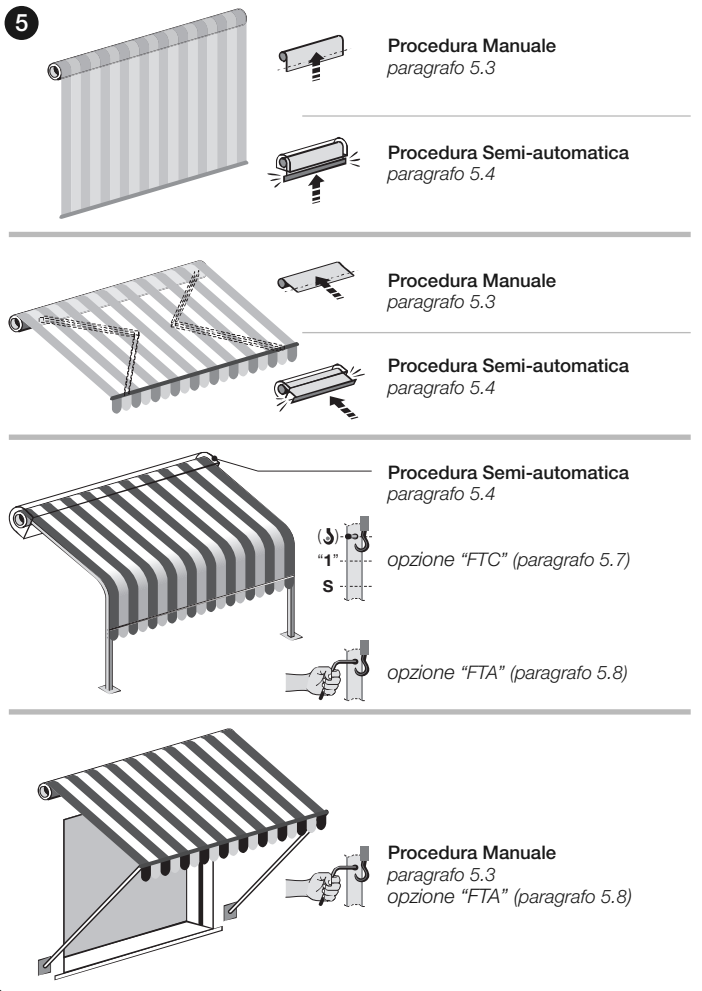
5.2 - Programmazione dei finecorsa

I finecorsa "0" e "1" (**fig. 6**) sono le posizioni-base che la tenda assume al termine del movimento di Salita ("0") e al termine del movimento di Discesa ("1"). Per scegliere la procedura più adatta alle caratteristiche dell'impianto, consultare la **fig. 5**.

• Nota sulla funzione "RDC"

La funzione **RDC** permette di evitare che il telo resti in trazione eccessiva al termine della manovra di chiusura. La funzione riduce automaticamente la coppia di trazione del motore, durante la fase finale della manovra di chiusura (per impostare il valore di coppia desiderato, vedere il paragrafo 5.5).

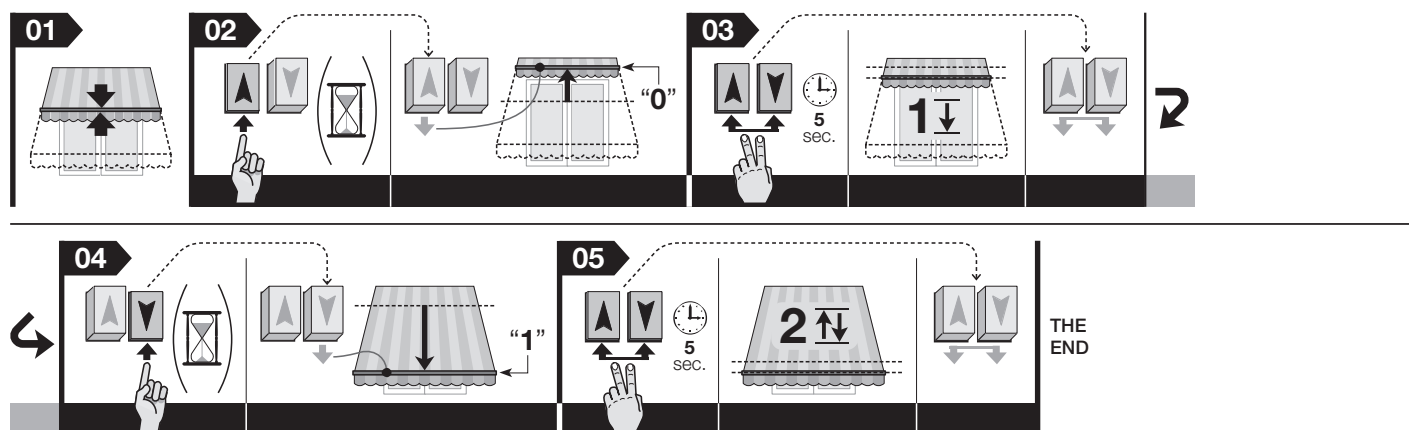
Questa funzione è attiva di fabbrica, però non è applicabile se i finecorsa vengono programmati con la procedura manuale (paragrafo 5.3). Può essere disattivata esclusivamente durante la programmazione dei finecorsa effettuata con la procedura semiautomatica (paragrafo 5.4).



5.3 - Programmare i finecorsa "0" e "1" in modo MANUALE

Attenzione! • Questa programmazione è indicata per le tende senza cassonetto. • È possibile memorizzare indistintamente prima il finecorsa alto ("0") o il finecorsa basso ("1"), secondo le vostre esigenze. • La funzione RDC non è attivabile.

01. Utilizzando il pulsante di **Salita** o di **Discesa**, portare la tenda a metà della sua corsa. **Nota** - durante il movimento, 2 brevi interruzioni segnalano che non è memorizzato nessun finecorsa.
02. Mantenere premuto il pulsante di **Salita** fino a portare la tenda nella posizione di finecorsa desiderata; quindi, rilasciare il pulsante.
03. Mantenere premuti contemporaneamente i due pulsanti di **Salita** e **Discesa**; rilasciarli dopo che la tenda ha eseguito un breve movimento di discesa.
04. Mantenere premuto il pulsante di **Discesa** fino a portare la tenda nella posizione di finecorsa desiderata; quindi, rilasciare il pulsante. **Nota** - durante il movimento 1 breve interruzione segnala che è memorizzato solo un finecorsa.
05. Mantenere premuti contemporaneamente i due pulsanti di **Salita** e **Discesa**, e rilasciarli dopo che la tenda ha eseguito un breve movimento di salita e uno di discesa.

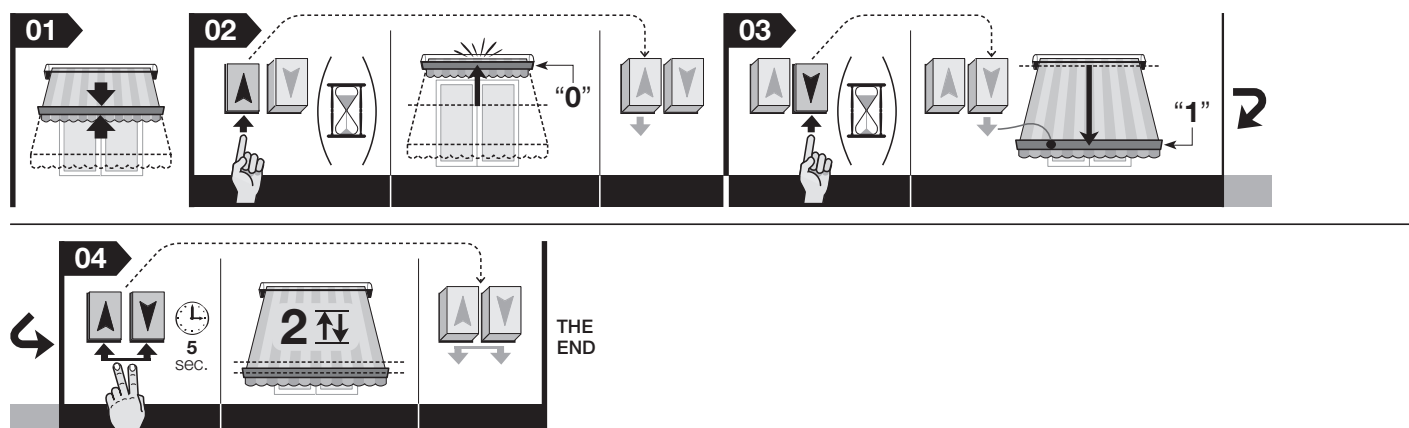


5.4 - Programmare i finecorsa "0" e "1" in modo SEMIAUTOMATICO

Attenzione! • Questa programmazione è indicata per le tende con cassonetto. • Programmare prima la posizione "0" e poi la posizione "1".

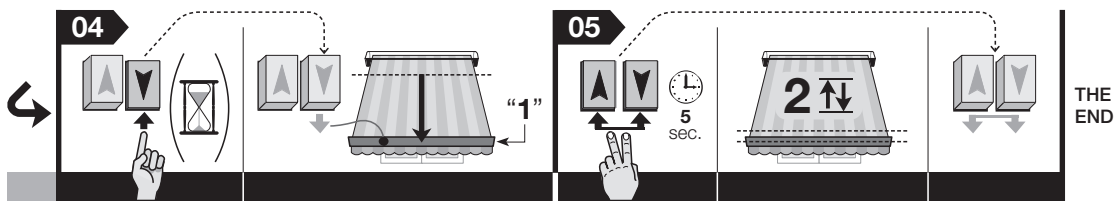
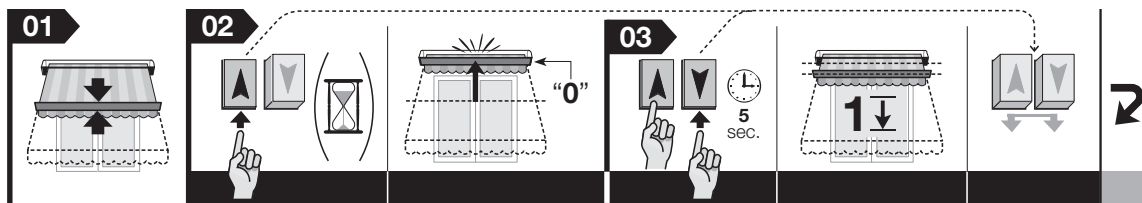
• (Mantiene attivata la funzione "RDC")

01. Utilizzando il pulsante di **Salita** o di **Discesa**, portare la tenda a metà della sua corsa. **Nota** - durante il movimento, 2 brevi interruzioni segnalano che non è memorizzato nessun finecorsa.
02. Mantenere premuto il pulsante di **Salita** fino a quando la tenda si ferma per l'impatto contro il finecorsa "0"; quindi, rilasciare il pulsante.
03. Mantenere premuto il pulsante di **Discesa** fino a portare la tenda nella posizione di finecorsa desiderato ("1"); quindi, rilasciare il pulsante.
04. Mantenere premuti contemporaneamente i due pulsanti di **Salita** e **Discesa**; rilasciarli dopo che la tenda ha eseguito un breve movimento di salita e uno di discesa.



• (Disattiva contemporaneamente anche la funzione "RDC")

01. Utilizzando il pulsante di **Salita** o di **Discesa**, portare la tenda a metà della sua corsa. **Nota** - durante il movimento, 2 brevi interruzioni segnalano che non è memorizzato nessun finecorsa.
02. Mantenere premuto il pulsante di **Salita** e attendere che la tenda si fermi per l'impatto contro il finecorsa "0" (non rilasciare il pulsante!).
03. Con il pulsante di **Salita** ancora premuto, mantenere premuto anche il pulsante di **Discesa** e attendere che la tenda esegua un breve movimento di discesa; alla fine, rilasciare i due pulsanti.
04. Mantenere premuto il pulsante di **Discesa** fino a portare la tenda nella posizione di finecorsa desiderato ("1"); quindi, rilasciare il pulsante.
05. Mantenere premuti contemporaneamente i due pulsanti di **Salita** e **Discesa**; rilasciarli dopo che la tenda ha eseguito un breve movimento di salita e uno di discesa.



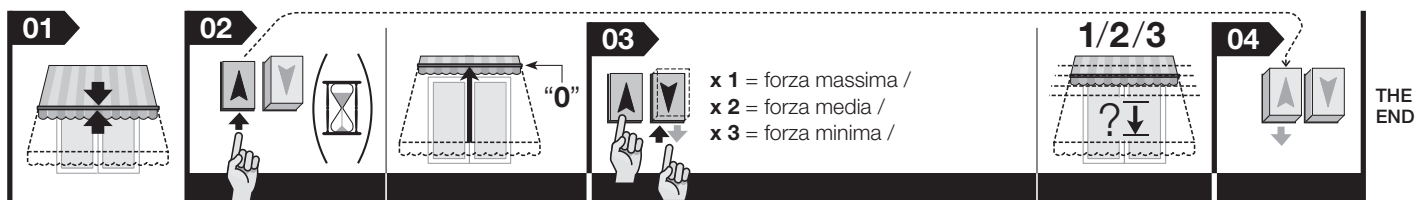
5.5 - Regolare lo sforzo in chiusura: funzione "RDC"

Attenzione! - La personalizzazione del livello "RDC" può essere effettuata esclusivamente dopo aver programmato le quote di finecorsa "0" e "1".

01. Utilizzando il pulsante di **Salita** o di **Discesa**, portare la tenda a metà della sua corsa.
02. Mantenere premuto il pulsante di **Salita** fino a quando la tenda raggiunge il finecorsa "0" (non rilasciare il pulsante).
03. Quindi, con il pulsante di **Salita** ancora premuto, premere il pulsante di **Discesa** un numero di volte uguale al livello da selezionare (ogni pressione deve durare 1 secondo, seguita da 1 secondo di pausa). Con il pulsante di **Salita** ancora premuto, attendere che la tenda esegua un numero di scatti (in direzione della discesa) uguale al nuovo livello impostato. I livelli disponibili sono:

livello 1 = forza massima (livello impostato in fabbrica) / livello 2 = forza media / livello 3 = forza minima

04. Infine, rilasciare il pulsante di **Salita**.



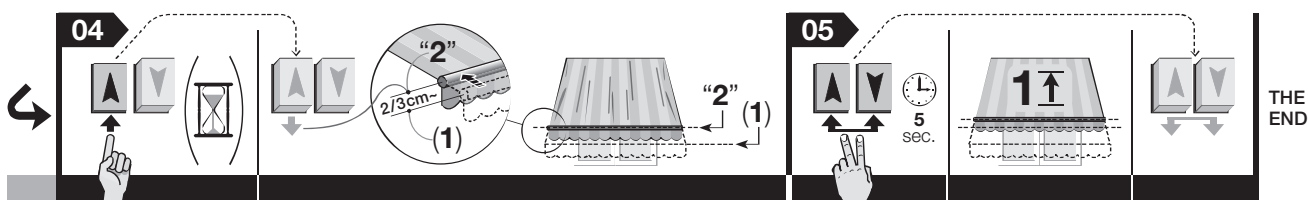
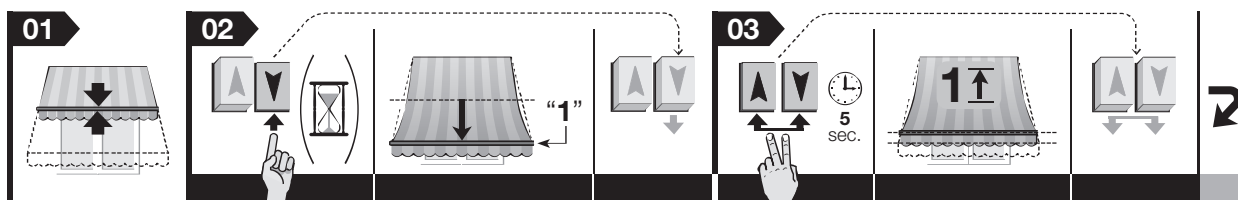
5.6 - Tensionamento del telo: funzione "FRT" (posizione "2")

Questa funzione serve a tendere il telo di una Tenda quando questa è aperta. La funzione si attiva programmando la posizione "2" nel Era Star T. Durante l'utilizzo dell'automazione, quando la tenda si apre il motore la porta prima in posizione "1" e subito dopo mette in tensione il telo comandando automaticamente una breve salita fino alla posizione "2".

Attenzione! - La funzione "FRT" può essere programmata esclusivamente dopo aver programmato le quote di finecorsa "0" e "1".

• Per attivare la funzione "FRT"

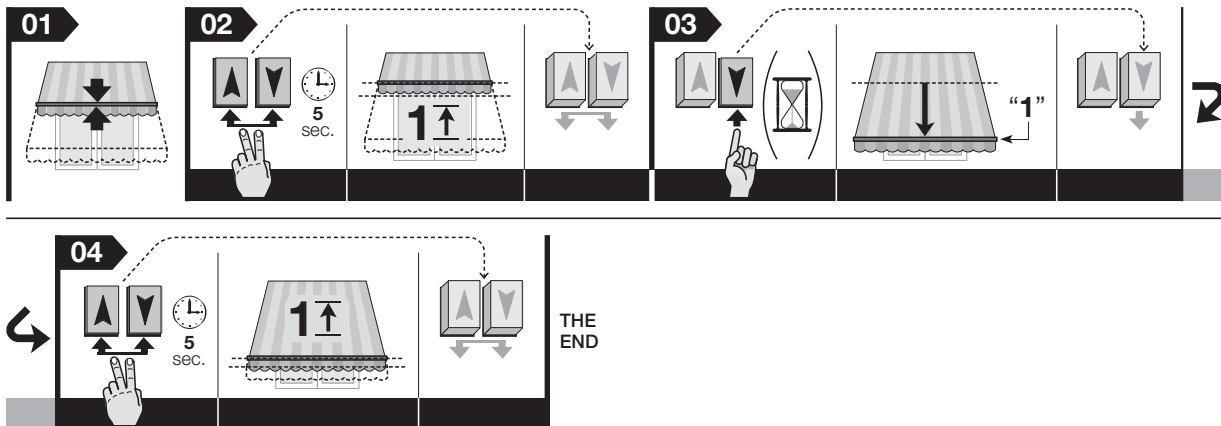
01. Utilizzando il pulsante di **Salita** o di **Discesa**, portare la tenda a metà della sua corsa.
02. Utilizzando il pulsante di **Discesa**, portare la tenda in posizione "1".
03. Mantenere premuti contemporaneamente i pulsanti di **Salita e Discesa** fino a quando la tenda esegue un breve movimento di salita; alla fine rilasciare i pulsanti.
04. Utilizzare il pulsante di **Salita** per chiudere di pochi centimetri la tenda, fino a quando il telo appare ben teso (questa sarà la posizione "2").
05. Mantenere premuti contemporaneamente i pulsanti di **Salita e Discesa** fino a quando la tenda esegue un breve movimento di salita; alla fine rilasciare i pulsanti.



• **Per disattivare la funzione "FRT"**

01. Utilizzando il pulsante di **Salita** o di **Discesa**, portare la tenda a metà della sua corsa.
02. Mantenere premuti contemporaneamente i pulsanti di **Salita e Discesa**, fino a quando la tenda esegue un breve movimento di salita; alla fine rilasciare i pulsanti.
03. Mantenere premuto il pulsante di **Discesa** per portare la tenda nel finecorsa "1" e rilasciarlo esattamente nell'istante in cui la tenda si ferma automaticamente in questo finecorsa.
04. Mantenere premuti contemporaneamente i pulsanti di **Salita e Discesa** fino a quando la tenda esegue un breve movimento di salita; quindi rilasciare i pulsanti.

Nota – Dopo aver cancellato la posizione "2" la tenda si muoverà tra le posizioni "0" e "1" di finecorsa.

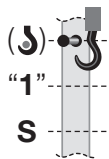


5.7 - Tenda con aggancio AUTOMATICO del telo in apertura: funzione "FTC"

Questa funzione permette di agganciare e sganciare automaticamente la tenda. La funzione "FTC" può essere attivata soltanto se nella tenda è presente, **in una sola posizione**, il meccanismo di aggancio/sgancio automatico del telo, collocato in corrispondenza della posizione di apertura della tenda. Il motore permette di memorizzare una sola posizione di aggancio.

Generalmente, questo tipo di meccanismo possiede un fermo per l'aggancio meccanico della tenda e altri due punti (posizionati oltre il fermo) che la tenda deve raggiungere per consentire l'aggancio (in posizione "1") e lo sgancio (in posizione "S") del telo.

Quindi, per far funzionare correttamente il meccanismo, occorre impostare e memorizzare le due posizioni "1" e "S" nel modo seguente.

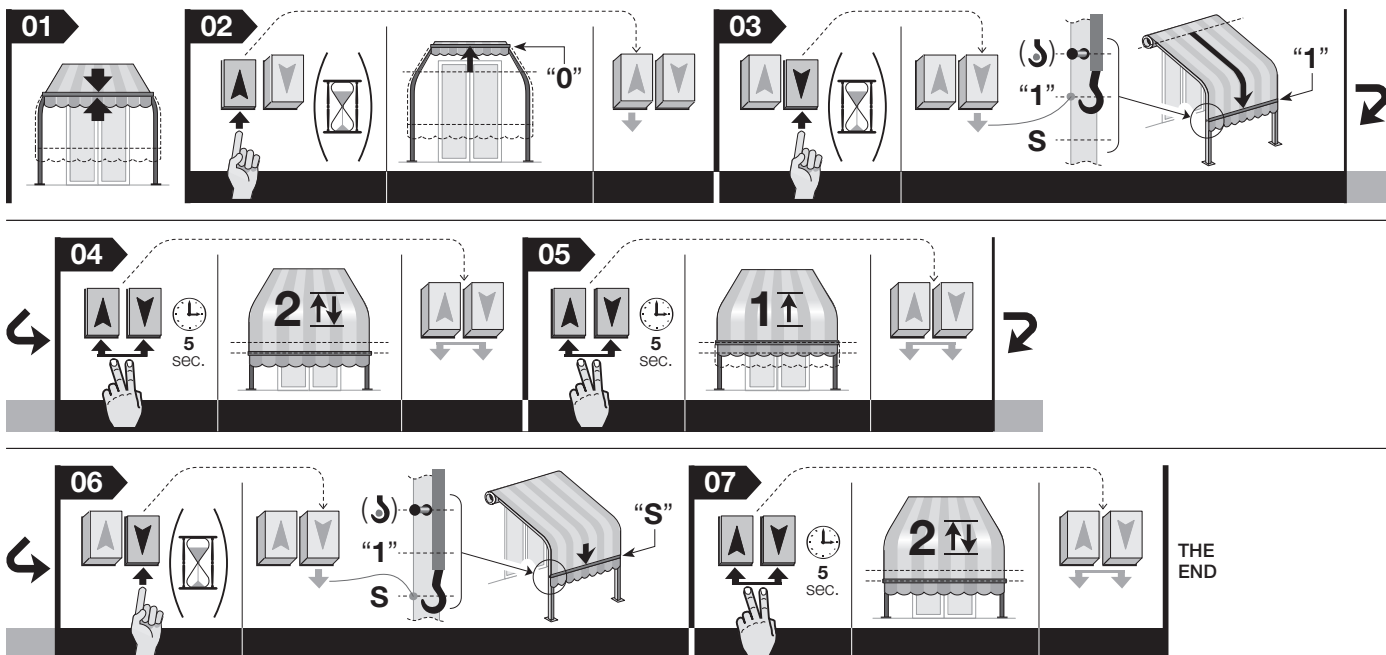


Attenzione!

- Prima di programmare la funzione "FTC", accertarsi che non siano memorizzati i finecorsa "0" e "1"; eventualmente cancellarli utilizzando la procedura 5.9.
- La posizione "1" deve essere collocata qualche centimetro oltre il fermo meccanico di aggancio. Questo permetterà al telo, durante l'apertura, di raggiungere prima la posizione "1" e poi di agganciarsi al fermo meccanico durante la salita.
- La posizione "S" deve essere collocata qualche centimetro oltre il meccanismo di sgancio. Questo permetterà al telo, durante la chiusura, di raggiungere prima la posizione "S", di sganciarsi automaticamente dal fermo meccanico e di salire verso il finecorsa di chiusura "0".

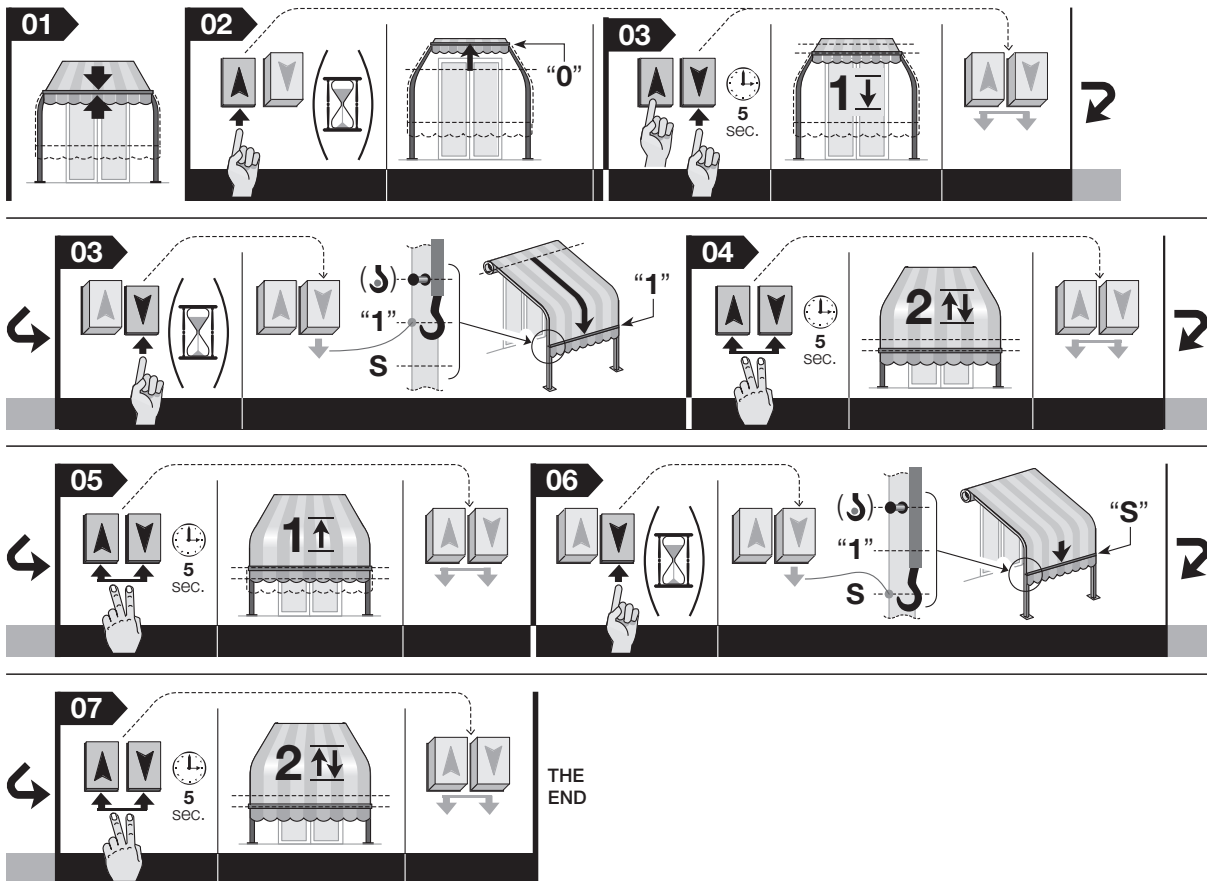
• **(Mantiene attivata la funzione "RDC")**

01. Utilizzando il pulsante di **Salita** o di **Discesa**, portare la tenda a metà della sua corsa.
02. Mantenere premuto il pulsante di **Salita** fino a quando la tenda si ferma automaticamente nel finecorsa "0"; quindi, rilasciare il pulsante.
03. Mantenere premuto il pulsante di **Discesa** e portare la tenda oltre il punto di aggancio, fermandola qualche centimetro dopo (se necessario correggere la posizione con i due pulsanti).
04. Mantenere premuti contemporaneamente i pulsanti di **Salita e Discesa** e attendere che la tenda esegua due brevi movimenti: uno di salita e (dopo qualche secondo) uno di discesa, fino a fermarsi di nuovo nella posizione appena programmata. Alla fine rilasciare i pulsanti.
05. Mantenere premuti contemporaneamente i pulsanti di **Salita e Discesa**, fino a quando la tenda esegue un breve movimento di salita. Alla fine rilasciare i pulsanti.
06. Utilizzare ancora i due pulsanti di **Salita e Discesa**, per portare la tenda nella posizione di sgancio "S".
07. Mantenere premuti contemporaneamente i pulsanti di **Salita e Discesa** e attendere che la tenda esegua due brevi movimenti: uno di salita e (dopo qualche secondo) uno di discesa, fino a fermarsi di nuovo nella posizione appena programmata. Alla fine rilasciare i pulsanti.



• **(Disattiva contemporaneamente anche la funzione "RDC")**

01. Utilizzando il pulsante di **Salita** o di **Discesa**, portare la tenda a metà della sua corsa.
02. Mantenere premuto il pulsante di **Salita** e attendere che la tenda si fermi automaticamente nel finecorsa "0" (non rilasciare il pulsante!).
03. Con il pulsante di **Salita** ancora premuto, mantenere premuto anche il pulsante di **Discesa** e attendere che la tenda esegua un breve movimento di discesa; alla fine, rilasciare i due pulsanti.
04. Mantenere premuti contemporaneamente i pulsanti di **Salita e Discesa** e attendere che la tenda esegua due brevi movimenti: uno di salita e (dopo qualche secondo) uno di discesa, fino a fermarsi di nuovo nella posizione appena programmata. Alla fine rilasciare i pulsanti.
05. Mantenere premuti contemporaneamente i pulsanti di **Salita e Discesa**, fino a quando la tenda esegue un breve movimento di salita. Alla fine rilasciare i pulsanti.
06. Utilizzare ancora i due pulsanti di **Salita e Discesa**, per portare la tenda nella posizione di sgancio "S".
07. Mantenere premuti contemporaneamente i pulsanti di **Salita e Discesa** e attendere che la tenda esegua due brevi movimenti: uno di salita e (dopo qualche secondo) uno di discesa, fino a fermarsi di nuovo nella posizione appena programmata. Alla fine rilasciare i pulsanti.



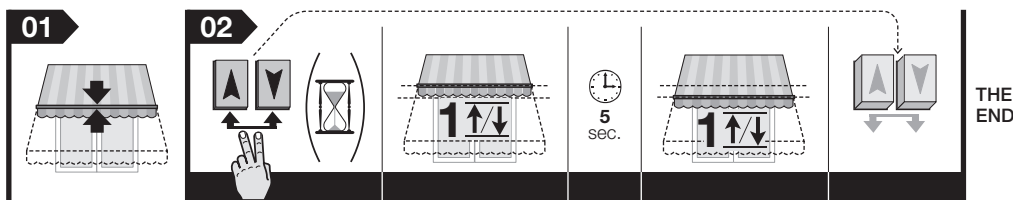
5.8 - Tenda con aggancio MANUALE del telo in apertura: funzione "FTA"



La funzione è pensata esclusivamente per le tende che hanno un meccanismo manuale per bloccare il telo nella posizione di apertura (ad esempio, il meccanismo presente nelle tende a braccio retto, nelle tende a capanno, ecc.). Il motore permette di memorizzare più posizioni di aggancio. Se la funzione è attiva, durante la manovra di chiusura il motore viene fermato automaticamente, appena la tenda incontra il meccanismo di blocco lungo il percorso. Successivamente, per sbloccare la tenda premere il pulsante di **Discesa**, attendere che la tenda raggiunga il finecorsa "1", sbloccare manualmente il meccanismo e chiudere la tenda con il pulsante di **Salita**.

Attenzione! - La funzione "FTA" può essere programmata esclusivamente dopo aver programmato le quote di finecorsa "0" e "1". Con la "FTA" attiva, la funzione "RDC" agisce lungo tutta la corsa della tenda.

01. Utilizzando il pulsante di **Salita** o di **Discesa**, portare la tenda a metà della sua corsa.
02. Mantenere premuti contemporaneamente i due pulsanti di **Salita e Discesa** e attendere che la tenda esegua un breve movimento, una pausa e un secondo breve movimento; alla fine rilasciare i pulsanti.

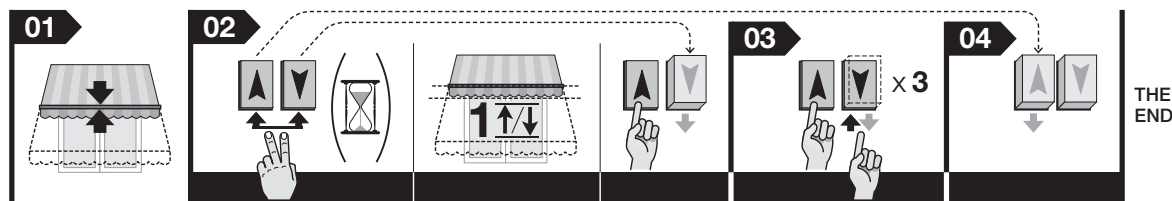


5.9 - Cancellazione totale della memoria

Attenzione! - La presente procedura cancella tutti i dati presenti nella memoria della Centrale, comprese le posizioni "0" e "1".

01. Utilizzando il pulsante di **Salita** o di **Discesa**, portare la tenda a metà della sua corsa.
02. Mantenere premuti contemporaneamente i due pulsanti di **Salita** e **Discesa** e attendere che la tenda esegua un breve movimento; alla fine rilasciare solo uno dei pulsanti.
03. Entro 3 secondi da quando la tenda ha eseguito il breve movimento, premere 3 volte il pulsante che è stato rilasciato precedentemente, al punto 02.
04. Infine, rilasciare anche l'altro pulsante.

Nota - Se la cancellazione è avvenuta correttamente, comandando una salita o una discesa la tenda esegue **2 brevi movimenti** (= nessun fincorsa programmato).



6 AVVERTENZE PER L'USO QUOTIDIANO DELL'AUTOMATISMO

6.1 - Massimo ciclo di lavoro continuo

In generale i motori tubolari della linea "Max", pur garantendo un tempo di utilizzo continuo di massimo 4 minuti, sono progettati per l'impiego residenziale e dunque, per un uso discontinuo. Quindi, in caso di surriscaldamento (ad esempio, a causa di un azionamento continuo e prolungato) interviene automaticamente un "protettore termico" di sicurezza che interrompe l'alimentazione elettrica e la ripristina quando la temperatura rientra nei valori normali.

Cosa fare se... (guida alla soluzione dei problemi)

- Dando alimentazione a una fase elettrica, il motore non si muove:**
Escludendo la possibilità che sia in atto la protezione termica, per la quale basta aspettare che il motore si raffreddi, verificare che la tensione di rete corrisponda ai dati riportati nelle caratteristiche tecniche di questo manuale, misurando l'energia tra il conduttore "comune" e quello della fase elettrica alimentata. Infine provare ad alimentare la fase elettrica opposta.
- Inviando un comando di salita, il motore non parte:**
Se la tenda è già chiusa o quasi chiusa, il motore non esegue la manovra di salita. In questo caso occorre prima far scendere la tenda per un breve tratto e poi dare di nuovo il comando di salita.
- Il sistema opera nella condizione di emergenza a uomo presente:**
 - Verificare se il motore ha subito qualche shock elettrico o meccanico di forte entità.
 - Verificare che ogni parte del motore sia ancora integra.
 - Eseguire la procedura di cancellazione (paragrafo 5.9) e programmare di nuovo i fincorsa.

Smaltimento del prodotto

Come per le operazioni d'installazione, anche al termine della vita di questo prodotto, le operazioni di smantellamento devono essere eseguite da personale qualificato.

Questo prodotto è costituito da vari tipi di materiali: alcuni possono essere riciclati, altri devono essere smaltiti. Informatevi sui sistemi di riciclaggio o smaltimento previsti dai regolamenti vigenti sul vostro territorio, per questa categoria di prodotto.

Attenzione! - alcune parti del prodotto possono contenere sostanze inquinanti o pericolose che, se disperse nell'ambiente, potrebbero provocare effetti dannosi sull'ambiente stesso e sulla salute umana.

Come indicato dal simbolo a lato, è vietato gettare questo prodotto nei rifiuti domestici. Eseguire quindi la "raccolta separata" per lo smaltimento, secondo i metodi previsti dai regolamenti vigenti sul vostro territorio, oppure riconsegnare il prodotto al venditore nel momento dell'acquisto di un nuovo prodotto equivalente.



Attenzione! - i regolamenti vigenti a livello locale possono prevedere pesanti sanzioni in caso di smaltimento abusivo di questo prodotto.

Caratteristiche tecniche

Tensione di alimentazione: 230 Vac - 50 Hz

Potenza assorbita in stand-by: 0,5 W

Risoluzione dell'encoder: 2,7°

Tempo di funzionamento continuo: 4 min

Lunghezza del cavo di connessione: 2,5 m

Temperatura di funzionamento minima: -20°C

Grado di protezione: IP 44

Note:

- Tutte le caratteristiche tecniche riportate, sono riferite ad una temperatura ambientale di 20°C (± 5°C).
- Nice S.p.a. si riserva il diritto di apportare modifiche al prodotto, in qualsiasi momento lo riterrà necessario, mantenendone la stessa destinazione d'uso e le funzionalità.

Dichiarazione CE di conformità

Con la presente, Nice S.p.A. dichiara che i prodotti: **E Star ST 324, E Star ST 524, E Star ST 611, E Star ST 1011, E Star ST 430, E Star MT 1030, E Star MT 817, E Star MT 1517, E Star MT 3017, E Star MT 4012, E Star MT 5012, E Star LT** sono conformi ai requisiti essenziali ed alle altre disposizioni pertinenti, stabilite dalle direttive **2006/95/CE, 2004/108/CE**. La dichiarazione di conformità CE può essere consultata e stampata nel sito www.nice-service.com oppure può essere richiesta a Nice S.p.A.


Ing. Luigi Paro
(Amministratore delegato)

Guide rapide

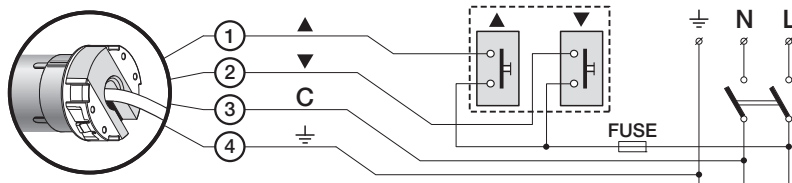
Era Star T moteur tubulaire pour stores

Note pour la consultation • Ce Guide rapide présente une numérotation des figures autonome ne correspondant pas à la numérotation utilisée dans le texte du Manuel complet. • Ce guide ne remplace pas le manuel complet.

Nice

FRANÇAIS

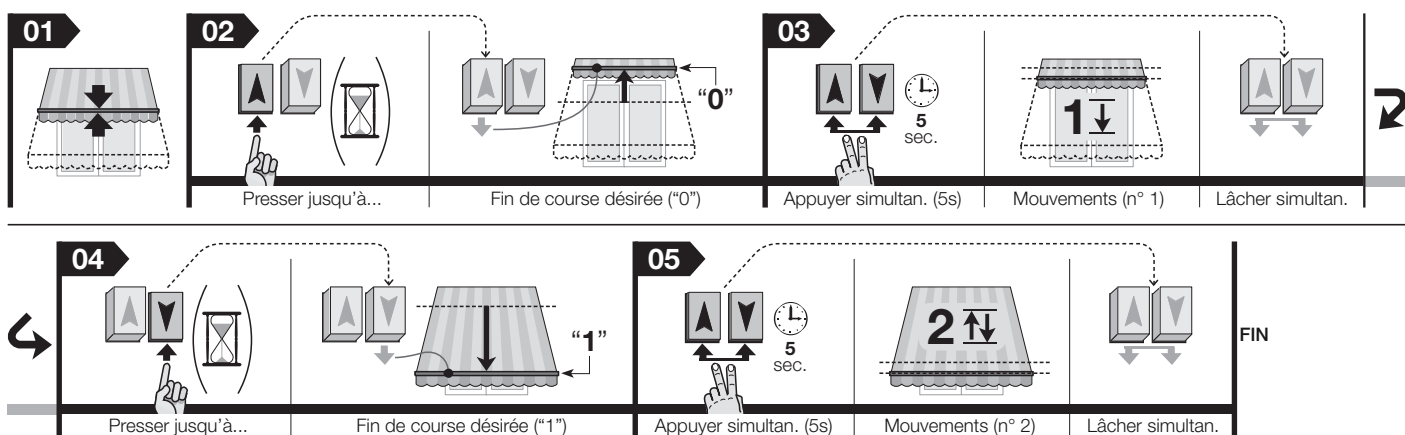
1 - Branchements électriques - Réf. chapitre 4



- 1 - Marron : = Phase électrique de montée / descente.
- 2 - Noir : = Phase électrique de descente / montée.
- 3 - Bleu : = Commun (généralement connecté au Neutre).
- 4 - Jaune-vert : = Terre (connexion équipotentielle de protection – ne existe pas dans le moteur E Star ST).

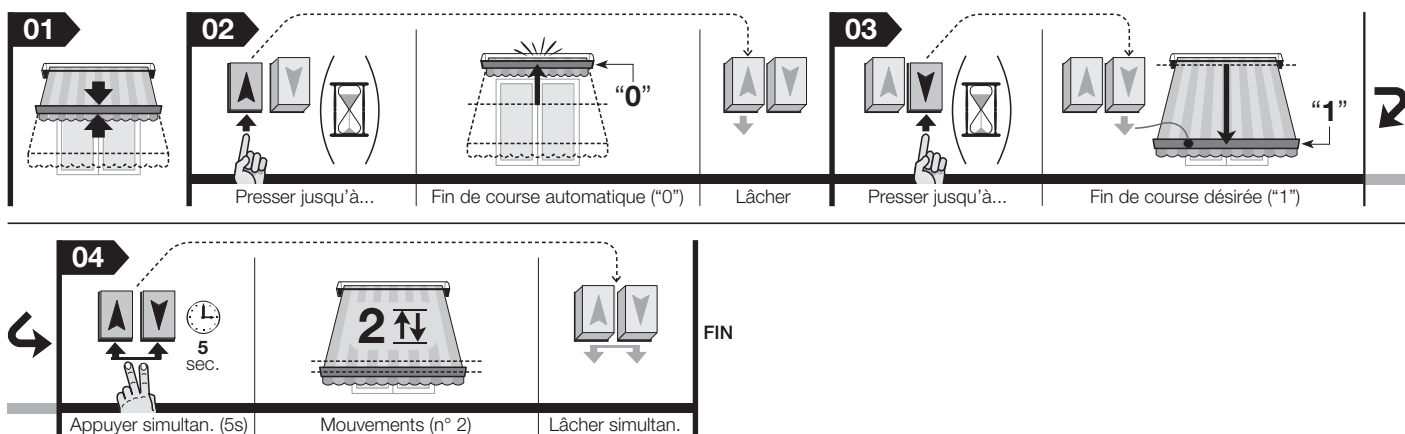
2 - Programmer les fins de course « 0 » et « 1 » en mode **MANUEL** - Réf. paragraphe 5.3

Il est possible de mémoriser au début le fin de course supérieur (0) ou le fin de course inférieur (1), indifféremment, suivant vos exigences.

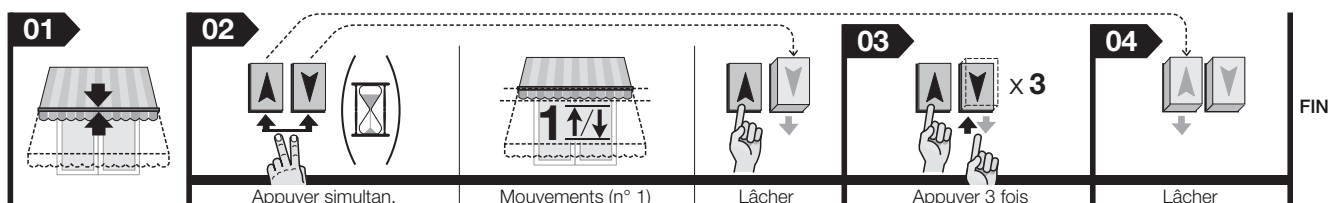


3 - Programmer les fins de course « 0 » et « 1 » en mode **SEMI-AUTOMATIQUE** - Réf. paragraphe 5.4

(Maintient activée la fonction « RDC »)



4 - Effacement total de la mémoire - Réf. paragraphe 5.9



Manuel complet

Notes pour la consultation du guide – Certaines figures mentionnées dans le texte se trouvent à la fin du guide.

1 AVERTISSEMENTS ET PRÉCAUTIONS GÉNÉRALES POUR LA SÉCURITÉ

1.1 - Consignes de sécurité

- **ATTENTION !** - Consignes de sécurité importantes. Pour la sécurité des personnes, il est important de suivre ces instructions dans la mesure où une installation impropre peut provoquer de graves blessures. Lire attentivement les instructions avant de commencer le travail ; en cas de doutes, demander des précisions au service après-vente Nice.
- **ATTENTION !** - Conserver ces instructions pour les éventuelles interventions futures de maintenance et de mise au rebut du produit.
- **ATTENTION !** - Toutes les opérations d'installation, de connexion, de programmation et de maintenance du produit doivent être effectuées exclusivement par un technicien qualifié et compétent, en respectant les lois, les normes, les réglementations locales et les instructions reportées dans ce guide.

1.2 - Recommandations pour l'installation

- Avant de commencer l'installation, vérifier si le présent produit est adapté pour automatiser le store auquel il est destiné (lire le paragraphe 3.1).
- Toutes les opérations d'installation ou de maintenance doivent être effectuées avec l'automatisme déconnecté de l'alimentation électrique. Par précaution, avant de commencer le travail, accrocher sur le dispositif de déconnexion une pancarte « ATTENTION ! MAINTENANCE EN COURS ».
- Avant de commencer l'installation, éloigner tous les câbles électriques qui ne sont pas nécessaires à l'installation ; par ailleurs, désactiver tous les mécanismes qui ne sont pas nécessaires au fonctionnement motorisé du store.
- Si le produit est installé à une hauteur inférieure à 2,5 m du sol (ou d'une autre surface d'appui), il faut protéger les parties en mouvement de l'automatisme au moyen d'un carter pour empêcher un accès accidentel. Réaliser la protection en consultant le guide d'instructions du store et en permettant dans tous les cas l'accès pour les interventions de maintenance.
- Au cours de l'installation, manipuler le produit avec précaution : éviter les risques d'écrasement, de choc, de chute ou de contact avec des liquides ; ne pas percer et ne pas appliquer de vis à l'extérieur du moteur ; ne pas mettre le produit à proximité de sources de chaleur et ne pas l'exposer aux flammes libres (fig. 1). Ces actions peuvent l'endommager et causer des problèmes de fonctionnement ou des situations de danger. Dans ces cas-là, suspendre immédiatement l'installation et s'adresser au service après-vente Nice.
- Durant l'installation, il ne faut appliquer aucune vis sur la partie de tube d'enroulement occupée à l'intérieur par le moteur tubulaire. Ces vis pourraient endommager le moteur.
- Ne pas démonter le produit en dehors des opérations prévues dans ce guide.
- Ne pas effectuer de modifications sur une partie quelconque du produit en dehors de celles indiquées dans ce guide. Les opérations non autorisées ne peuvent que provoquer des problèmes de fonctionnement. Le constructeur décline toute responsabilité pour les dommages dérivant de modifications arbitraires au produit.
- Le câble d'alimentation du produit est en PVC et ne peut donc être installé qu'à l'intérieur. Si l'installation est effectuée à l'extérieur, poser le câble dans une goutte de protection.
- Si le câble d'alimentation est endommagé, le produit ne peut pas être utilisé parce que le câble ne peut pas être remplacé. Dans ces cas-là, contacter le service après-vente Nice.
- Pendant la réalisation de l'installation, maintenir les personnes à distance du store quand il est en mouvement.
- Les matériaux de l'emballage du produit doivent être mis au rebut dans le plein respect des normes locales en vigueur.

1.3 - Recommandations pour l'utilisation

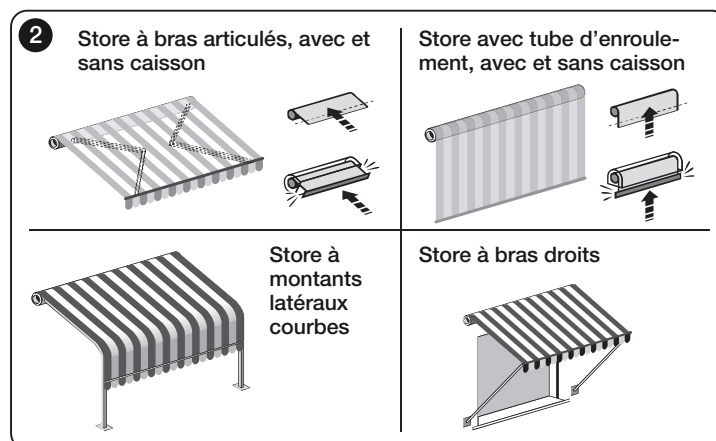
- Le produit n'est pas destiné à être utilisé par des personnes (enfants compris) aux capacités physiques, sensorielles ou mentales réduites, ou manquant d'expérience ou de connaissances, à moins que celles-ci aient pu bénéficier, par l'intermédiaire d'une personne responsable de leur sécurité, d'une surveillance ou d'instructions sur l'utilisation du produit.
- Les enfants doivent être surveillés pour s'assurer qu'ils ne jouent pas avec l'automatisme
- Ne pas laisser les enfants jouer avec les dispositifs de commande fixes. Conserver les dispositifs de commande portables (télécommandes) hors de portée des enfants.
- Durant l'exécution de la manœuvre contrôler l'automatisme et maintenir les personnes à distance jusqu'à ce que le mouvement s'arrête.
- Ne pas actionner le store quand des opérations d'entretien sont en cours (par exemple, le nettoyage de la fenêtre adjacente). Si le dispositif de commande est de type automatique, déconnecter le store de l'alimentation électrique.
- Ne pas oublier de contrôler souvent les ressorts d'équilibrage et l'usure des câbles (si ces mécanismes sont présents). Ne pas utiliser l'automatisme si celui-ci a besoin de réglages ou de réparations ; s'adresser exclusivement à du personnel spécialisé pour résoudre ce type de problèmes

2 DESCRIPTION DU PRODUIT ET TYPE D'UTILISATION

Era Star T est une famille de moteurs tubulaires destinés exclusivement à l'automatisation de différents types de stores (voir la fig. 2). **Toute autre utilisation est interdite ! Le producteur ne répond pas des dommages dérivant d'une utilisation impropre du produit, différente de ce qui est prévu dans ce guide.**

Caractéristiques fonctionnelles du produit :

- il est alimenté par le secteur électrique (voir les données sur la plaque du moteur) ;
- il s'installe à l'intérieur du tube sur lequel s'enroule le store ; la face qui dépasse se fixe avec les vis et/ou les pattes de support de Nice (non présentes dans l'emballage) ;
- il peut manœuvrer le store en montée et en descente ;
- il incorpore une logique de commande avec technologie à encodeur qui garantit le contrôle électronique du mouvement et la précision des fins de course ;
- il se programme à travers un clavier mural (à touches non interverrouillées) ou un programmeur TTU (accessoires non présents dans l'emballage) ;
- il se commande avec un clavier de commande mural : il est conseillé d'utiliser un interrupteur stable ou instable, à touches interverrouillées ;
- Il est muni d'un protecteur thermique qui, en cas de surchauffe due à une utilisation de l'automatisme dépassant les limites prévues, interrompt automatiquement l'alimentation électrique et la rétablit dès que la température se normalise.



3 INSTALLATION DU PRODUIT

3.1 - Contrôles préliminaires et limites d'utilisation

Avant de procéder à l'installation, effectuer les vérifications suivantes :

- Vérifier l'intégrité des composants du produit qui viennent d'être déballés.
- Vérifier que le moteur choisi est adapté en comparant ses caractéristiques techniques nominales avec les caractéristiques techniques du store ; par conséquent **NE PAS installer le moteur si ses caractéristiques (couple nominal, vitesse de rotation et temps de fonctionnement) ne sont pas adaptées pour manœuvrer le store. En particulier, le couple moteur NE DOIT PAS ÊTRE SUPÉRIEUR à celui qui est nécessaire pour manœuvrer le store.** D'autres limites d'application figurent dans le chapitre « Caractéristiques techniques »
- Vérifier le diamètre du tambour enrouleur. Cela doit être choisi en fonction du couple moteur, comme suit :
 - pour les moteur avec une taille « S » ($\varnothing = 35 \text{ mm}$), le diamètre interne minimum du tambour enrouleur doit être de 40mm ;
 - pour les moteur avec une taille « M » ($\varnothing = 45 \text{ mm}$) et un couple jusqu'à 35Nm (compris), le diamètre interne minimum du tambour enrouleur doit être de 52 mm ;
 - pour les moteur avec une taille « M » ($\varnothing = 45 \text{ mm}$) et un couple supérieur à 35Nm (compris), le diamètre interne minimum du tambour enrouleur doit être de 60 mm ;
 - pour les moteur avec une taille « L » ($\varnothing = 58 \text{ mm}$), le diamètre interne minimum du tambour enrouleur doit être de 70 mm.
- Avant d'automatiser un store, vérifier qu'il y a suffisamment d'espace libre devant celui-ci pour permettre l'ouverture complète prévue.
- En cas d'installation à l'extérieur, garantir au moteur une protection adéquate contre les agents atmosphériques.

3.2 - Assemblage et installation du moteur tubulaire

Attention ! - Avant de procéder à l'assemblage et à l'installation du moteur tubulaire, lire attentivement les recommandations figurant dans le paragraphe 1.2. L'installation incorrecte peut causer de graves blessures.

Pour assembler et installer le moteur tubulaire, se référer à la fig. 3. Consulter le catalogue des produits Nice ou le site www.niceforyou.com pour choisir la couronne du fin de course (fig. 3-a), la roue d'entraînement (fig. 3-b) et la patte de fixation (fig. 3-f) du moteur.

- **Installation du clavier de commande au mur**

Installer sur le mur un clavier de commande, en veillant à :

- choisir un clavier de commande à 2 touches (*montée et descente*).
- il est conseillé d'utiliser un clavier du type « à action maintenue », sur lequel il faut maintenir la pression sur la touche pendant la durée désirée de la manœuvre.
- placer le clavier dans une position permettant de voir le store mais loin de ses parties en mouvement.
- positionner le clavier sur le côté du store, où se trouvent le câble électrique provenant du moteur tubulaire et le câble d'alimentation provenant du secteur.
- positionner le clavier à une hauteur supérieure à 1,5 m par rapport au sol.

4 BRANCHEMENTS ÉLECTRIQUES

Attention !

- Un branchement erroné peut provoquer des pannes ou des situations de danger.
- Respecter scrupuleusement les connexions indiquées dans ce guide.
- Sur la ligne d'alimentation du produit, il faut installer un dispositif de déconnexion ayant une distance d'ouverture des contacts permettant la déconnexion complète dans les conditions prescrites par la catégorie de surtension III, conformément aux normes d'installation (le dispositif de déconnexion n'est pas fourni avec le produit).

Pour les connexions électriques, se référer au schéma électrique de la fig. 4. Il est possible de commander plusieurs moteurs avec un seul clavier de commande, en connectant ces moteurs « en parallèle ». Le câble pour les branchements électriques du moteur tubulaire possède 4 conducteurs à l'intérieur :

- **Marron** : = Phase électrique de montée / descente.
- **Noir** : = Phase électrique de descente / montée.
- **Bleu** : = Commun (généralement connecté au Neutre).
- **Jaune-vert** : = Terre (connexion équipotentielle de protection – ne existe pas dans le moteur E Star ST).

Attention ! – La longueur maximale des câbles pour raccorder un clavier mural ou une commande à relais est de 100 m.

• Association des mouvements de Montée et de Descente aux touches respectives

À la fin des opérations de branchement, commander quelques manœuvres(*) pour vérifier si les mouvements de montée et de descente sont correctement associés aux touches de commande respectives. Si ce n'est pas le cas, inverser la connexion entre les conducteurs **Marron** et **Noir**.

(*) – Durant l'exécution de la manœuvre contrôler que le store exécute 2 brefs mouvements (= automatisme connecté correctement). Le sens de rotation du moteur n'a pas d'importance.

5 PROGRAMMATION

5.1 - Recommandations pour la programmation

• En général

- Respecter rigoureusement les limites de temps indiquées dans les procédures.
- Les positions **0**, **1**, **2**, **S** du store, citées dans le texte, correspondent à celles de la fig. 6.
- Durant les opérations d'installation et de réglage, quand les connexions électriques ne sont pas encore définitives, il est possible de commander le moteur tubulaire avec l'unité TTU de Nice (fig. 7).

• Signalisations effectuées par le moteur

- le moteur effectue **1** très courte interruption au début de la manœuvre puis reprend le mouvement = un seul fin de course mémorisé
- le moteur effectue **2** très courtes interruptions au début de la manœuvre puis reprend le mouvement = aucun fin de course mémorisé
- en maintenant la pression sur la touche de commande (mode « action maintenue ») le mouvement commence mais s'interrompt peu après, sans conclure la manœuvre = procéder à l'effacement total puis à la programmation des fins de course.

5.2 - Programmation des fins de course

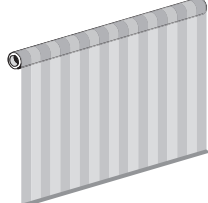
Les fins de course « 0 » et « 1 » (fig. 6) sont les positions de base du store à la fin du mouvement de montée (« 0 ») ou à la fin du mouvement de descente (« 1 »). Pour choisir la procédure la plus adaptée aux caractéristiques de l'installation, consulter la fig. 5.


• Note sur la fonction « RDC »

La fonction **RDC** permet d'éviter que la toile reste excessivement en traction à la fin de la manœuvre de fermeture. La fonction réduit automatiquement le couple de traction du moteur, durant la phase finale de la manœuvre de fermeture (pour programmer la valeur de couple désirée, voir le paragraphe 5.5).

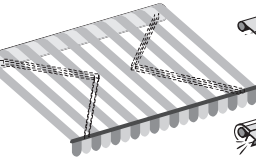
Cette fonction est active dans les réglages par défaut, mais elle n'est pas applicable si les fins de course sont programmés avec la procédure manuelle (paragraphe 5.3). Elle peut être désactivée exclusivement durant la programmation des fins de course effectuée avec la procédure semi-automatique (paragraphe 5.4).

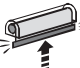
5



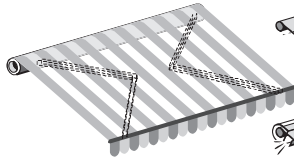



Procédure Manuelle
paragraphe 5.3



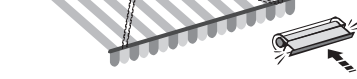



Procédure Semi-automatique
paragraphe 5.4



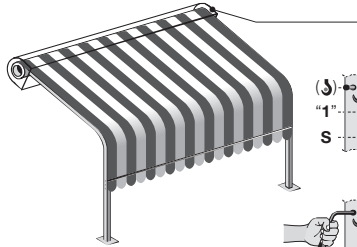


Procédure Manuelle
paragraphe 5.3






Procédure Semi-automatique
paragraphe 5.4

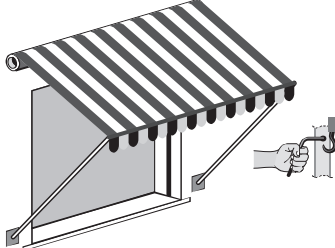



(S)
"1"
S

option "FTC" (paragraphe 5.7)



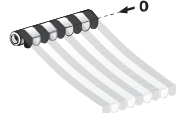
option "FTA" (paragraphe 5.8)



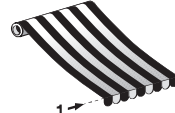


Procédure Manuelle
paragraphe 5.3
option "FTA" (paragraphe 5.8)

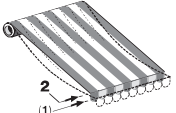
6 position "0"



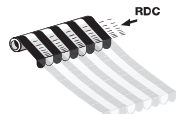
position "1"



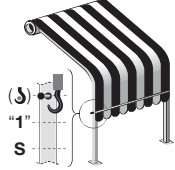
position "2"
Mise en tension de la toile (fonction "FRT")



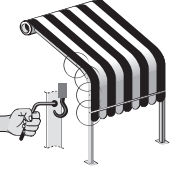
Réduction de l'effort en fermeture (fonction "RDC")



position "S"
Accrochage automatique (fonction "FTC")



Accrochage manuel (fonction "FTC")

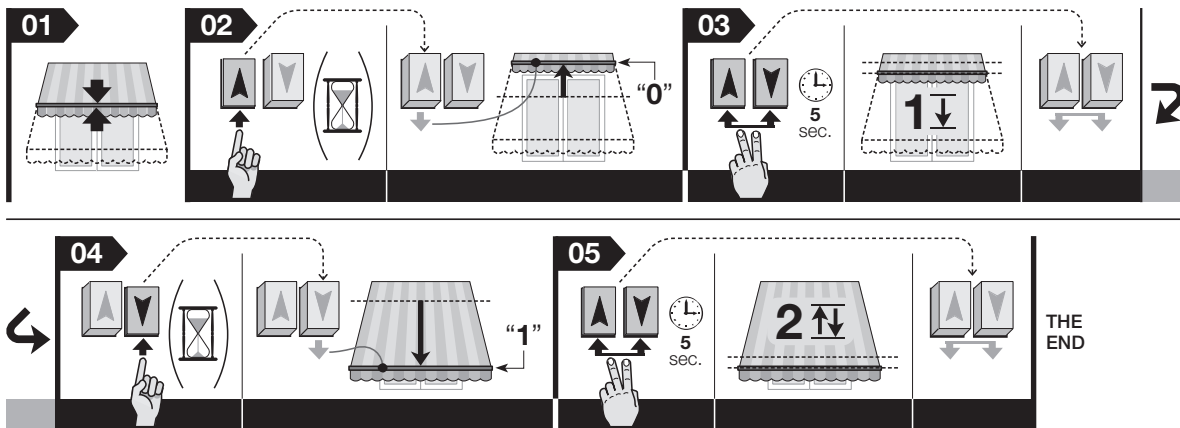


Français – 3

5.3 - Programmer les fins de course « 0 » et « 1 » en mode **MANUEL**

Attention ! • Cette programmation est indiquée pour les stores sans caisson. • Il est possible de mémoriser au début le fin de course supérieur (0) ou le fin de course inférieur (1), indifféremment, suivant vos exigences. • La fonction RDC n'est pas activable.

01. En utilisant la touche de **Montée** ou de **Descente**, porter le store à mi-course. **Remarque** : durant le mouvement, 2 brèves interruptions indiquent qu'aucun fin de course n'est mémorisé.
02. Presser la touche de **Montée** jusqu'à ce que le store arrive à la position de fin de course désirée ; ensuite, relâcher la touche.
03. Presser simultanément les deux touches de **Montée** et de **Descente** ; les relâcher quand le store a effectué un bref mouvement de descente.
04. Presser la touche de **Descente** jusqu'à ce que le store arrive à la position de fin de course désirée ; ensuite, relâcher la touche. **Remarque** : durant le mouvement, 1 brève interruption signale qu'un seul fin de course est mémorisé.
05. Presser simultanément les deux touches de **Montée** et de **Descente** puis les relâcher quand le store a effectué un bref mouvement de montée et un de descente.

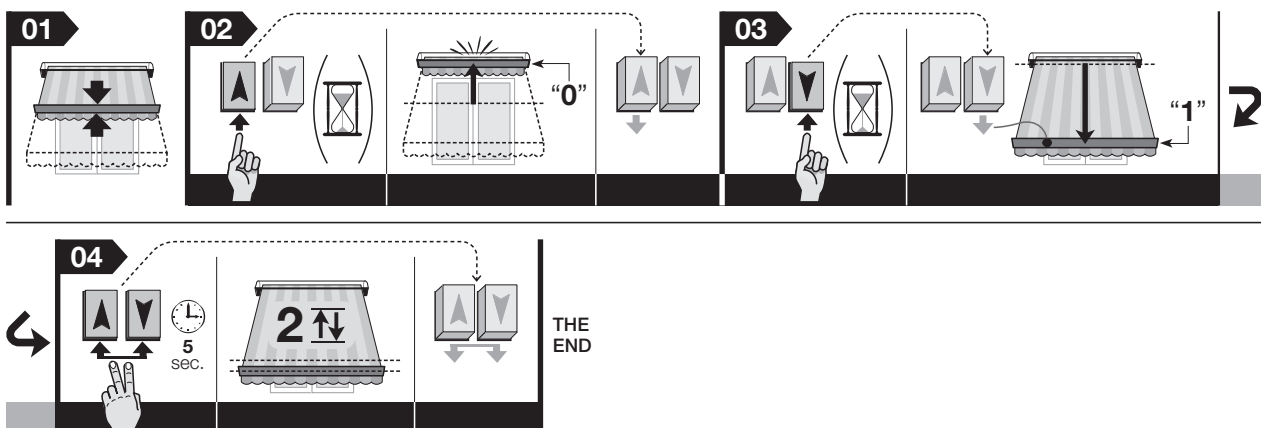


5.4 - Programmer les fins de course « 0 » et « 1 » en mode **SEMI-AUTOMATIQUE**

Attention ! • Cette programmation est indiquée pour les stores avec caisson. • Programmer d'abord la position « 0 » puis la position « 1 ».

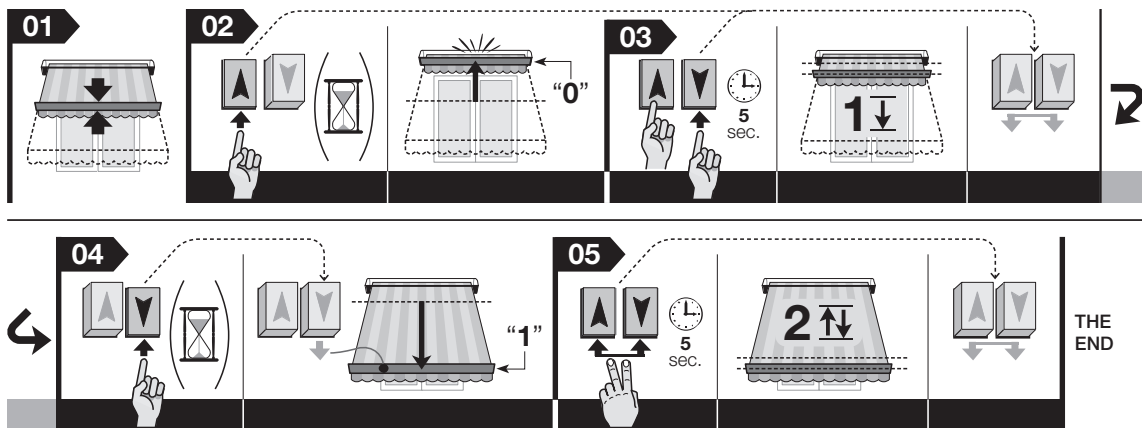
• **(Maintient activée la fonction « RDC »)**

01. En utilisant la touche de **Montée** ou de **Descente**, porter le store à mi-course. **Remarque** : durant le mouvement, 2 brèves interruptions indiquent qu'aucun fin de course n'est mémorisé.
02. Presser la touche de **Montée** jusqu'à ce que le store s'arrête en butant contre le fin de course « 0 » ; ensuite, relâcher la touche.
03. Presser la touche de **Descente** jusqu'à ce que le store arrive à la position de fin de course désirée (« 1 ») ; ensuite, relâcher la touche.
04. Presser simultanément les deux touches de **Montée** et de **Descente** ; les relâcher quand le store a effectué un bref mouvement de montée et un de descente.



• **(Désactive simultanément aussi la fonction « RDC »)**

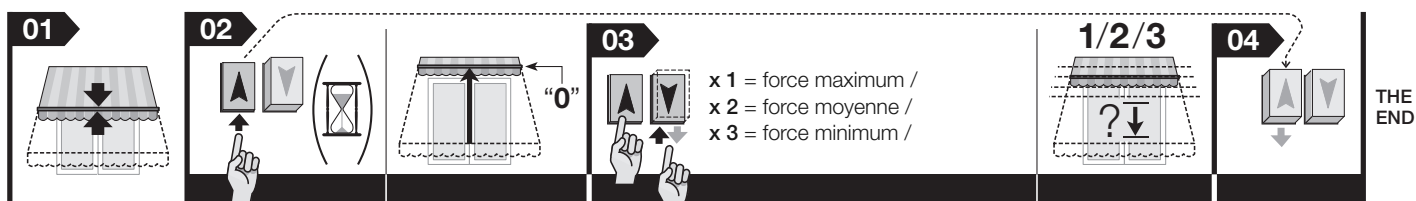
01. En utilisant la touche de **Montée** ou de **Descente**, porter le store à mi-course. **Remarque** : durant le mouvement, 2 brèves interruptions indiquent qu'aucun fin de course n'est mémorisé.
02. Presser la touche de **Montée** et attendre que le store s'arrête en butant contre le fin de course « 0 » (ne pas relâcher la touche !).
03. Tout en maintenant la pression sur la touche de **Montée**, presser aussi la touche de **Descente** et attendre que le store effectue un bref mouvement de descente ; à la fin, relâcher les deux touches.
04. Presser la touche de **Descente** jusqu'à ce que le store arrive à la position de fin de course désirée (« 1 ») ; ensuite, relâcher la touche.
05. Presser simultanément les deux touches de **Montée** et de **Descente** ; les relâcher quand le store a effectué un bref mouvement de montée et un de descente.



5.5 - Régler l'effort en fermeture : fonction « RDC »

Attention ! - La personnalisation du niveau « RDC » peut être effectuée exclusivement après avoir programmé les positions de fin de course « 0 » et « 1 ».

01. En utilisant la touche de **Montée** ou de **Descente**, porter le store à mi-course.
02. Presser la touche de **Montée** jusqu'à ce que le store s'arrête en butant contre le fin de course « 0 » (ne pas relâcher la touche).
03. Puis, sans relâcher la touche de **Montée**, presser la touche de **Descente** un nombre de fois identique au niveau à sélectionner (chaque pression doit durer 1 seconde, suivie d'1 seconde de pause). Tout en maintenant la pression sur la touche de **Montée**, attendre que le store effectue un nombre de crans (dans le sens de la descente) identique au nouveau niveau fixé. Les niveaux disponibles sont :
niveau 1 = force maximum (niveau réglé en usine) / niveau 2 = force moyenne / niveau 3 = force minimum
04. Pour finir, relâcher la touche de **Montée**.



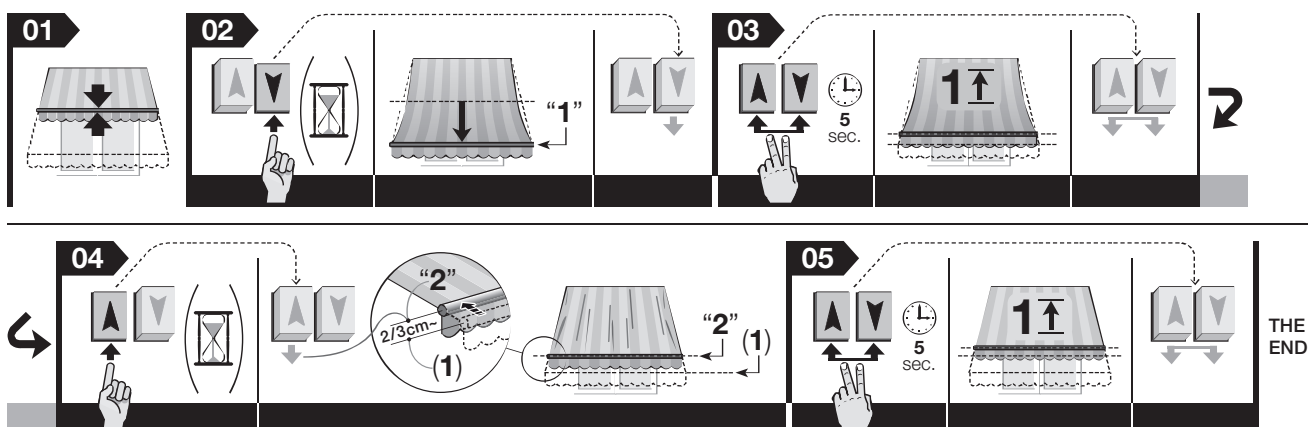
5.6 - Tension de la toile : fonction « FRT » (position « 2 »)

Cette fonction sert à tendre la toile d'un store, quand le store est ouvert. La fonction s'active en programmant dans le ERA Star T la position « 2 ». Durant l'utilisation de l'automatisme, quand le store s'ouvre, le moteur le porte d'abord dans la position « 1 » puis juste après, il met en tension la toile en commandant automatiquement une brève montée jusqu'à la position « 2 ».

Attention ! - La fonction « FRT » peut être programmée exclusivement après avoir programmé les positions de fin de course « 0 » et « 1 ».

• Pour activer la fonction « FRT »

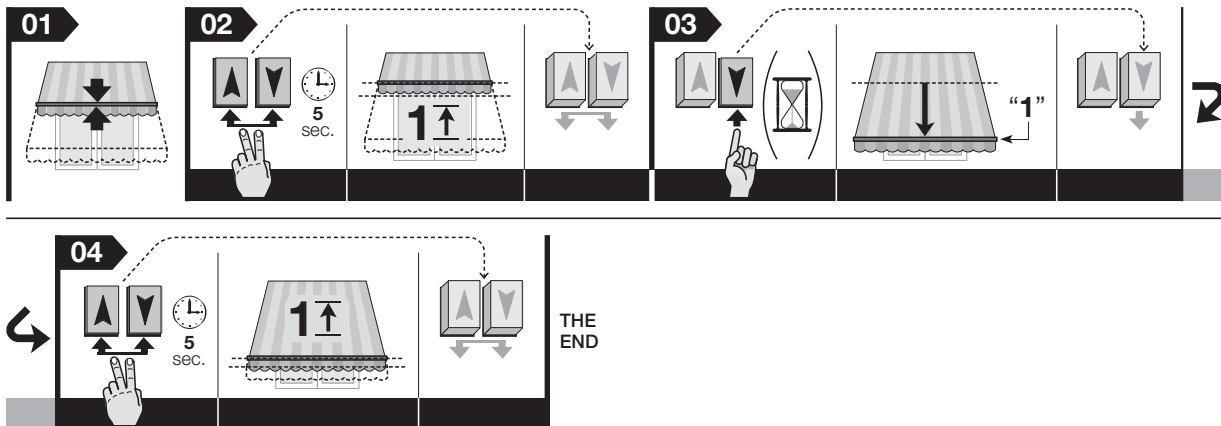
01. En utilisant la touche de **Montée** ou de **Descente**, porter le store à mi-course.
02. En utilisant la touche **Descente**, porter le store dans la position « 1 ».
03. Presser simultanément les touches de **Montée** et de **Descente** jusqu'à ce que le store effectue un bref mouvement de montée ; à la fin, relâcher les touches.
04. Utiliser la touche de **Montée** pour fermer le store de quelques centimètres, jusqu'à ce que la toile soit bien tendue (cette position sera la position « 2 »).
05. Presser simultanément les touches de **Montée** et de **Descente** jusqu'à ce que le store effectue un bref mouvement de montée ; à la fin, relâcher les touches.



• **Pour désactiver la fonction « FRT »**

01. En utilisant la touche de **Montée** ou de **Descente**, porter le store à mi-course.
02. Presser simultanément les touches de **Montée** et de **Descente** jusqu'à ce que le store effectue un bref mouvement de montée ; à la fin, relâcher les touches.
03. Presser la touche de **Descente** jusqu'à ce que le store arrive au fin de course « 1 » et la relâcher exactement à l'instant où le store s'arrête automatiquement à ce fin de course.
04. Presser simultanément les touches de **Montée** et de **Descente** jusqu'à ce que le store effectue un bref mouvement de montée ; ensuite, relâcher les touches.

Note – Après avoir effacé la position « 2 », le store se déplacera entre les positions de fin de course « 0 » et « 1 ».

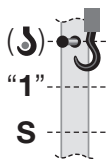


5.7 - Store avec accrochage AUTOMATIQUE de la toile en ouverture : fonction « FTC »

Cette fonction permet d'accrocher et de décrocher automatiquement le store. La fonction « FTC » peut être activée seulement si le store possède, dans une seule position, un mécanisme d'accrochage/décrochage automatique de la toile, positionné au niveau de la position d'ouverture du store. Le moteur permet de mémoriser une seule position d'accrochage.

Généralement, ce type de mécanisme possède un arrêtoir pour l'accrochage mécanique du store et deux autres points (positionnés au-delà de l'arrêtoir) que le store doit atteindre pour permettre l'accrochage (position « 1 ») et le décrochage (position « S ») de la toile.

Par conséquent, pour faire fonctionner correctement le mécanisme, il faut configurer et mémoriser les deux positions « 1 » et « S » de la façon suivante.

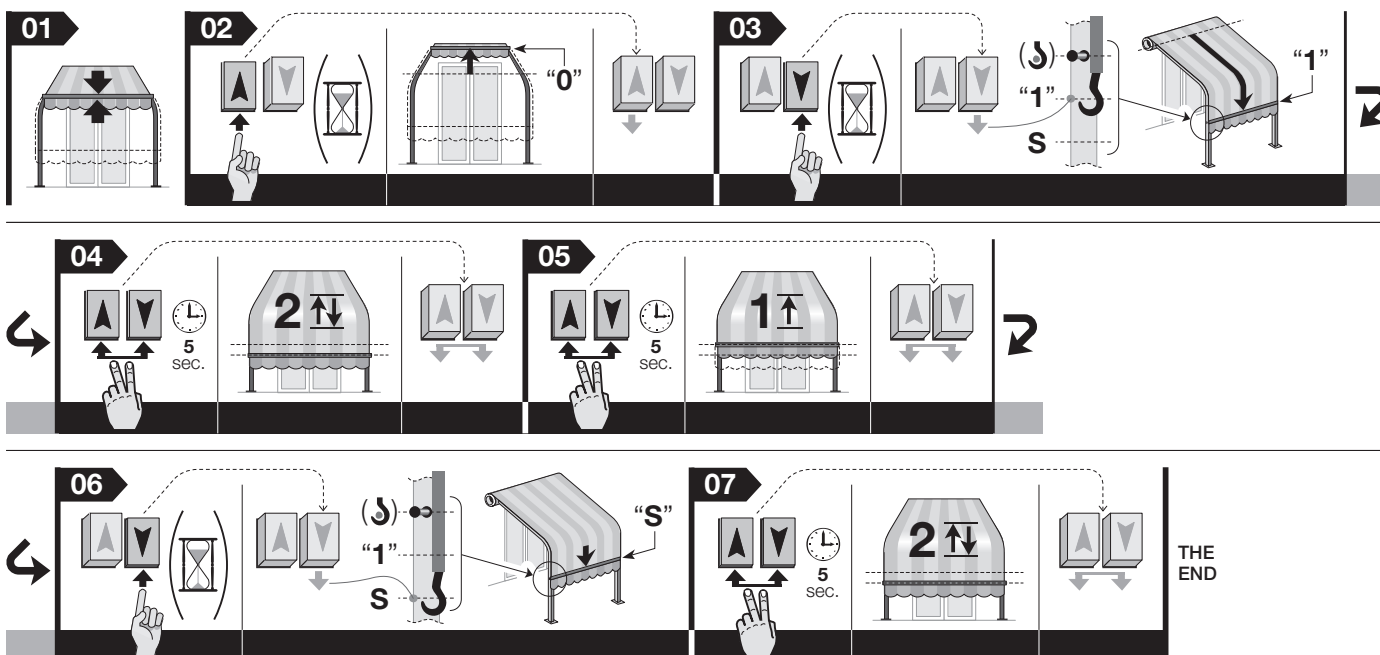


Attention !

- Avant de programmer la fonction « FTC », contrôler que les fins de course « 0 » et « 1 » n'ont pas été mémorisés ; les effacer éventuellement en utilisant la procédure 5.9.
- La position « 1 » doit être située quelques centimètres au-delà de l'arrêtoir mécanique d'accrochage. Cela permettra à la toile, durant l'ouverture, d'atteindre d'abord la position « 1 » puis de s'accrocher à l'arrêtoir mécanique durant la montée.
- La position « S » doit être située quelques centimètres au-delà de l'arrêtoir mécanique de décrochage. Cela permettra à la toile, durant la manoeuvre d'ouverture, d'atteindre d'abord la position « S », de se décrocher automatiquement de l'arrêtoir mécanique et de monter vers le fin de course de fermeture « 0 ».

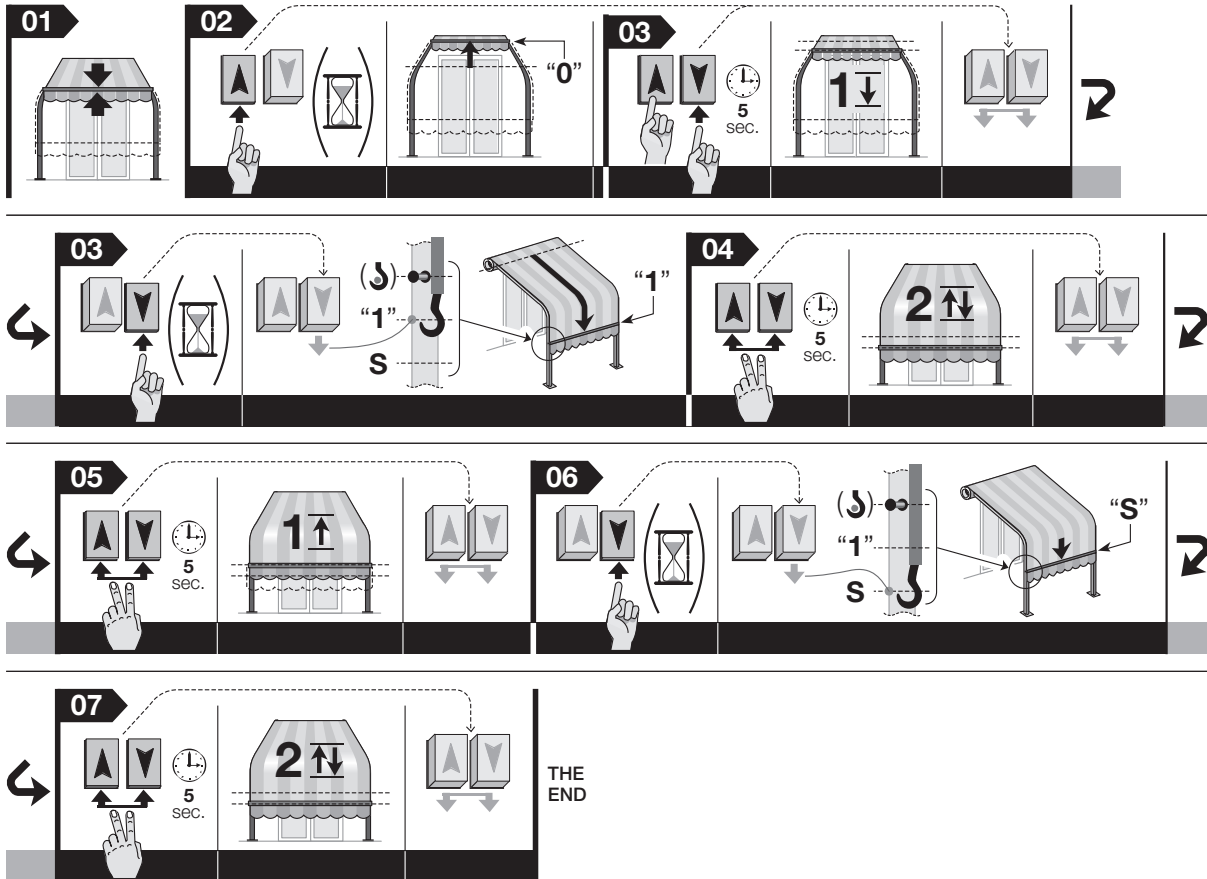
• **(Maintient activée la fonction « RDC »)**

01. En utilisant la touche de **Montée** ou de **Descente**, porter le store à mi-course.
02. Presser la touche de **Montée** jusqu'à ce que le store s'arrête automatiquement dans le fin de course « 0 » puis relâcher la touche.
03. Presser la touche de **Descente** et porter le store au-delà du point d'accrochage en l'arrêtant quelques centimètres après (si nécessaire corriger la position avec les deux touches).
04. Presser simultanément les deux touches de **Montée** et de **Descente** et attendre que le store effectue deux mouvements brefs : un de montée et (au bout de quelques secondes) un de descente, jusqu'à ce qu'il s'arrête de nouveau dans la position qui vient d'être programmée. À la fin, relâcher les touches.
05. Presser simultanément les touches de **Montée** et de **Descente** jusqu'à ce que le store effectue un bref mouvement de montée. À la fin, relâcher les touches.
06. Utiliser encore les deux touches de **Montée** et de **Descente** pour porter le store dans la position de décrochage « S ».
07. Presser simultanément les deux touches de **Montée** et de **Descente** et attendre que le store effectue deux mouvements brefs : un de montée et (au bout de quelques secondes) un de descente, jusqu'à ce qu'il s'arrête de nouveau dans la position qui vient d'être programmée. À la fin, relâcher les touches.

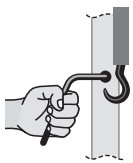


• (Désactive simultanément aussi la fonction « RDC »)

01. En utilisant la touche de **Montée** ou de **Descente**, porter le store à mi-course.
02. Presser la touche de **Montée** et attendre que le store s'arrête automatiquement dans la fin de course « 0 » (ne pas relâcher la touche !).
03. Tout en maintenant la pression sur la touche de **Montée**, presser aussi la touche de **Descente** et attendre que le store effectue un bref mouvement de descente ; à la fin, relâcher les deux touches.
04. Presser simultanément les deux touches de **Montée** et de **Descente** et attendre que le store effectue deux mouvements brefs : un de montée et (au bout de quelques secondes) un de descente, jusqu'à ce qu'il s'arrête de nouveau dans la position qui vient d'être programmée. À la fin, relâcher les touches.
05. Presser simultanément les touches de **Montée** et de **Descente** jusqu'à ce que le store effectue un bref mouvement de montée. À la fin, relâcher les touches.
06. Utiliser encore les deux touches de **Montée** et de **Descente** pour porter le store dans la position de décrochage « S ».
07. Presser simultanément les deux touches de **Montée** et de **Descente** et attendre que le store effectue deux mouvements brefs : un de montée et (au bout de quelques secondes) un de descente, jusqu'à ce qu'il s'arrête de nouveau dans la position qui vient d'être programmée. À la fin, relâcher les touches.



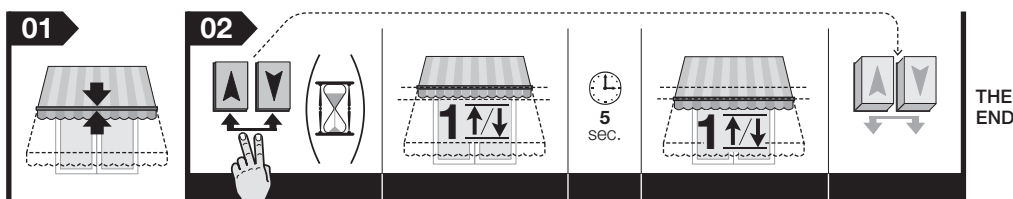
5.8 - Store avec accrochage MANUEL de la toile en ouverture : fonction « FTA »



La fonction est conçue exclusivement pour les stores qui ont un mécanisme manuel pour bloquer la toile dans la position d'ouverture (par exemple, le mécanisme présent dans les stores à bras droit, les stores à montants latéraux courbes, etc.). Le moteur permet de mémoriser plusieurs positions d'accrochage. Si la fonction est active, durant la manœuvre de fermeture, le moteur est arrêté automatiquement dès que le store rencontre le mécanisme de blocage le long du parcours. Ensuite, pour débloquer le store, presser la touche de **Descente**, attendre que le store atteigne le fin de course « 1 », débloquer manuellement le mécanisme et fermer le store avec la touche de **Montée**.

Attention ! - La fonction « FTA » peut être programmée exclusivement après avoir programmé les positions de fin de course « 0 » et « 1 ». Avec la « FTA » active, la fonction « RDC » agit tout au long de la course du store.

01. En utilisant la touche de **Montée** ou de **Descente**, porter le store à mi-course.
02. Presser simultanément les deux touches de **Montée** et de **Descente** et attendre que le store effectue un mouvement bref, une pause et un second mouvement bref ; à la fin, relâcher les touches.

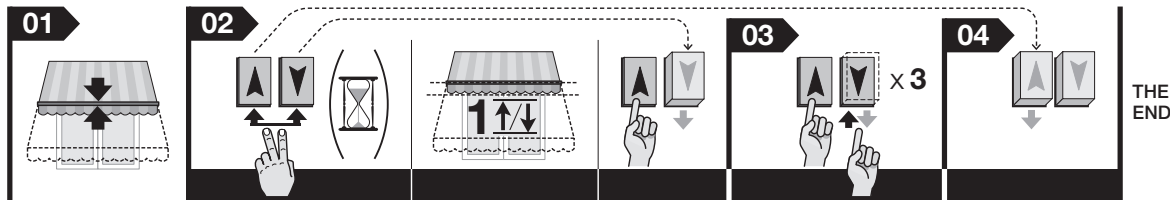


5.9 - Effacement total de la mémoire

Attention ! - La présente procédure efface toutes les données présentes dans la mémoire de la logique de commande, y compris les positions « 0 » et « 1 ».

01. En utilisant la touche de **Montée** ou de **Descente**, porter le store à mi-course.
02. Presser simultanément les deux touches de **Montée** et de **Descente** et attendre que le store effectue un mouvement bref : à la fin, relâcher seulement l'une des touches.
03. Dans les 3 secondes qui suivent le bref mouvement du store, presser 3 fois la touche qui avait été précédemment relâchée, au point 02.
04. Pour finir, relâcher également l'autre touche.

Note - Si l'effacement a été effectué correctement, en commandant une montée ou une descente, le store effectue **2 brefs mouvements** (= aucun fin de course programmé).



6 RECOMMANDATIONS POUR L'UTILISATION DE L'AUTOMATISME

6.1 - Cycle de travail continu maximum

En général, les moteurs tubulaires de la ligne Max, tout en garantissant un temps d'utilisation continu de 4 minutes, sont conçus pour un emploi résidentiel et donc pour une utilisation discontinue. Par conséquent, en cas de surchauffe (par exemple à cause d'un actionnement continu et prolongé), une protection thermique de sécurité intervient automatiquement en coupant le courant et en le rétablissant quand la température revient à des valeurs normales.

Qui faire si ...

(guide pour la résolution des problèmes)

- Quand on alimente une phase électrique, le moteur ne bouge pas :**
Excluant la possibilité d'une intervention de la protection thermique, pour laquelle il suffit d'attendre que le moteur refroidisse, vérifier que la tension de secteur correspond aux données indiquées dans les caractéristiques techniques de ce guide, en mesurant l'énergie entre le conducteur « commun » et celui de la phase électrique alimentée. Pour finir, essayer d'alimenter la phase électrique opposée.
- Quand on envoie une commande de montée, le moteur ne démarre pas :**
Si le store est déjà fermé ou presque fermé, le moteur n'exécute pas la manœuvre de montée. Dans ce cas il faut d'abord faire descendre le store sur une courte distance puis redonner une nouvelle commande de montée.
- Le système opère dans la condition d'urgence avec commande à action maintenue :**
 - Vérifier si le moteur a subi un choc électrique ou mécanique de forte entité.
 - Vérifier que toutes les parties du moteur sont encore intactes.
 - Effectuer la procédure d'effacement (paragraphe 5.9) et programmer de nouveau les fins de course.

Mise au rebut du produit

Ce produit fait partie intégrante de l'automatisme et doit donc être mis au rebut avec cette dernière.

Comme pour l'installation, à la fin de la durée de vie de ce produit, les opérations de démantèlement doivent être effectuées par du personnel qualifié.

Ce produit est constitué de différents types de matériaux : certains peuvent être recyclés, d'autres doivent être mis au rebut. Informez-vous sur les systèmes de recyclage ou de mise au rebut prévus par les normes en vigueur dans votre région pour cette catégorie de produit.

Attention ! - certains composants du produit peuvent contenir des substances polluantes ou dangereuses qui pourraient avoir des effets nuisibles sur l'environnement et sur la santé des personnes s'ils n'étaient pas adéquatement éliminés.



Comme l'indique le symbole ci-contre, il est interdit de jeter ce produit avec les ordures ménagères. Procéder à la « collecte différenciée » des composants pour leur traitement conformément aux méthodes prescrites par les normes locales en vigueur ou restituer le produit au vendeur lors de l'achat d'un nouveau produit équivalent.

Attention ! - les règlements locaux en vigueur peuvent prévoir de lourdes sanctions en cas d'élimination prohibée de ce produit.

Caractéristiques techniques

Tension d'alimentation : 230 Vac - 50 Hz

Puissance absorbée en stand-by : 0,5 W

Résolution de l'encodeur : 2,7°

Temps de fonctionnement continu : 4 min

Longueur du câble de connexion : 2,5 m

Température de fonctionnement : -20°C

Indice de protection IP : IP 44

Note:

- Toutes les caractéristiques techniques indiquées se réfèrent à une température ambiante de 20°C (± 5°C).

- Nice se réserve le droit d'apporter des modifications aux produits à tout moment si elle le juge nécessaire, en assurant dans tous les cas le maintien de leur fonctionnalité et du type d'application.

Déclaration de conformité CE

Par la présente, Nice S.p.A. déclare que les produits : **E Star ST 324, E Star ST 524, E Star ST 611, E Star ST 1011, E Star ST 430, E Star MT 1030, E Star MT 817, E Star MT 1517, E Star MT 3017, E Star MT 4012, E Star MT 5012, E Star LT** sont conformes aux conditions requises et autres dispositions pertinentes édictées par les directives **2006/95/CE, 2004/108/CE**. La déclaration de conformité CE peut être consultée et imprimée depuis le site www.nice-service.it ou demandée à Nice S.p.A.

Ing. Luigi Paro
(Administrateur Délégué)

Guía rápida

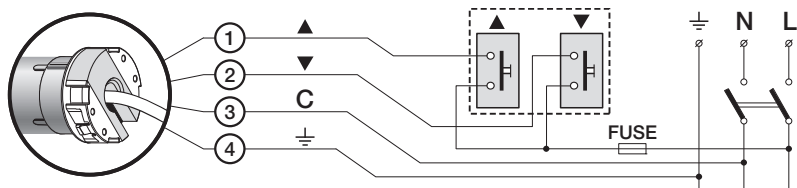
Era Star T motor tubular para toldos

Nota de consulta • En esta Guía rápida la numeración de las figuras es autónoma y no corresponde a la numeración citada en el texto del Manual completo. • Esta guía no reemplaza el manual completo.

Nice

ESPAÑOL

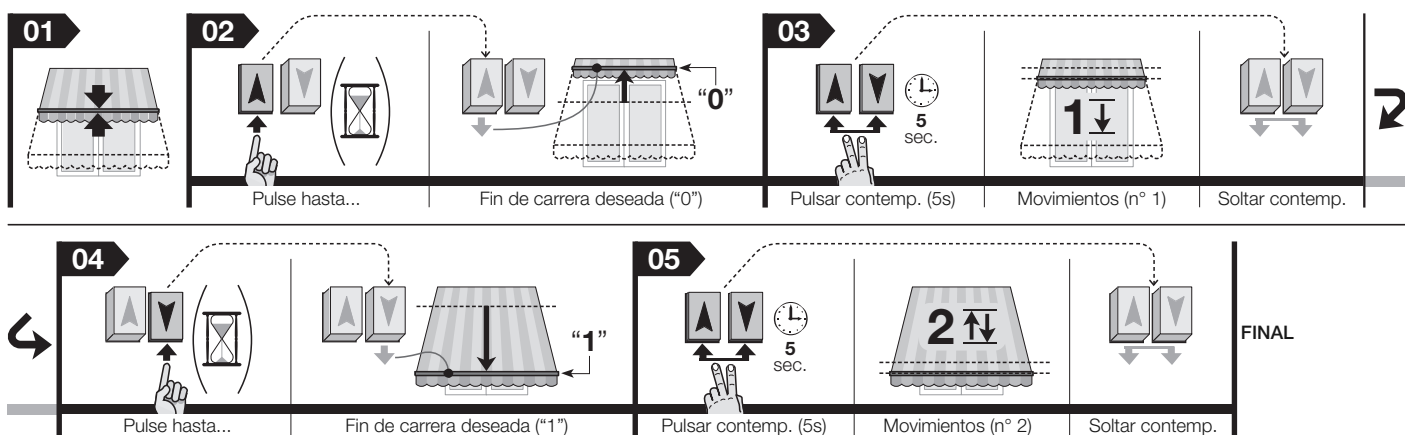
1 - Conexiones eléctricas - ref. capítulo 4



- 1 - Marrón: = Fase eléctrica de subida / bajada.
- 2 - Negro: = Fase eléctrica de bajada / subida.
- 3 - Azul: = Común (habitualmente conectado al Neutro).
- 4 - Amarillo-verde: = Tierra (conexión equipotencial de protección - no existe en el motor E Star ST).

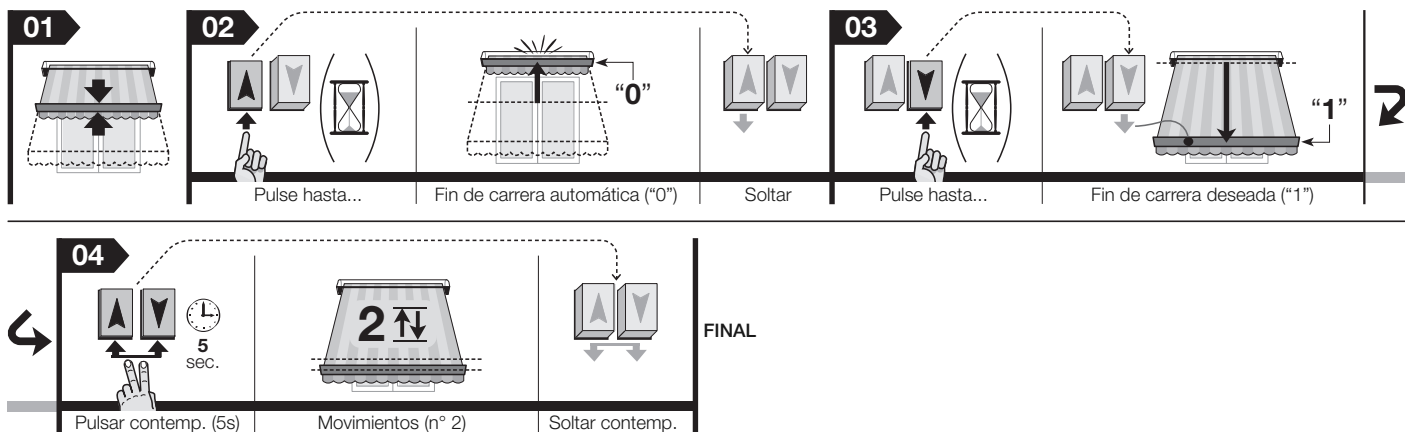
2 - Programar los fines de carrera "0" y "1" en modo MANUAL - ref. párrafo 5.3

Es posible memorizar al comienzo el final de carrera superior (0) o el final de carrera inferior (1), de distinta manera, según su necesidad.

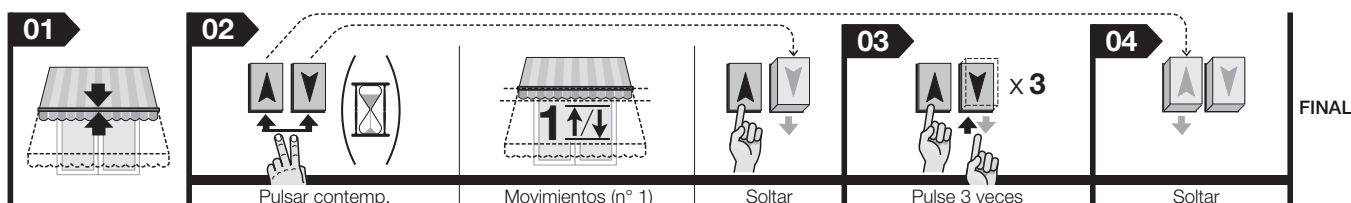


3 - Programar los fines de carrera "0" y "1" en modo SEMIAUTOMÁTICO - ref. párrafo 5.4

(Mantiene activa la función "RDC")



4 - Borrado total de la memoria - ref. párrafo 5.9



Manual completo

Notas para consultar el manual – Algunas figuras citadas en el texto están indicadas al final del manual.

1 ADVERTENCIAS Y PRECAUCIONES GENERALES PARA LA SEGURIDAD

1.1 - Advertencias de seguridad

- **¡ATENCIÓN!** - Instrucciones importantes de seguridad. Para la seguridad de las personas es importante respetar estas instrucciones puesto que una instalación incorrecta puede provocar lesiones graves. Lea detenidamente las instrucciones antes de comenzar el trabajo; en caso de dudas, póngase en contacto con el Servicio de Asistencia Nice.
- **¡ATENCIÓN!** - Guarde estas instrucciones para los trabajos de mantenimiento o para cuando deba eliminar el producto.
- **¡ATENCIÓN!** - Todas las operaciones de instalación, conexión, programación y mantenimiento del producto deben ser llevadas a cabo exclusivamente por un técnico cualificado y competente, respetando las leyes, normativas y reglas locales y las instrucciones dadas en este manual.

1.2 - Advertencias para la instalación

- Antes de comenzar la instalación, controle que el producto sea adecuado para automatizar el toldo (léase el apartado 3.1).
- Todas las operaciones de instalación y mantenimiento del producto deben ser llevadas a cabo con el automatismo desconectado de la alimentación eléctrica. Por motivos de seguridad, antes de comenzar el trabajo cuelgue del dispositivo de desconexión un cartel que indique "¡ATENCIÓN! MANTENIMIENTO EN CURSO".
- Antes de comenzar la instalación, aleje todos los cables eléctricos innecesarios; desactive todos los mecanismos superfluos para el funcionamiento motorizado del toldo.
- Si el producto se instalara a menos de 2,50 m de altura del suelo, o de otra superficie de apoyo, es necesario proteger con un resguardo las piezas móviles para que no puedan ser tocadas accidentalmente. Para realizar dicha protección, consulte el manual de instrucciones del toldo, garantizando siempre el acceso para poder llevar a cabo los trabajos de mantenimiento.
- Durante la instalación manipule con cuidado el producto: trate de evitar aplastamientos, golpes, caídas o contactos con cualquier líquido; no perforo ni aplique tornillos en la parte exterior del motor; no coloque el producto cerca de fuentes de calor y no lo exponga al fuego (fig. 1), tales acciones podrían averiar el producto y provocar desperfectos de funcionamiento o situaciones peligrosas. En estos casos, suspenda inmediatamente la instalación y póngase en contacto con el Servicio de Asistencia Nice.
- Durante la instalación no aplique tornillos en el trecho de tubo de enrollamiento dentro del que se coloca el motor tubular, porque podrán averiar el motor.
- Desmonte el producto únicamente para las operaciones indicadas en este manual.
- No realice modificaciones en ninguna pieza del producto, salvo aquellas indicadas en este manual. Las operaciones no permitidas pueden provocar desperfectos de funcionamiento. El fabricante no se asumirá ninguna responsabilidad por daños originados por modificaciones arbitrarias hechas al producto.
- El cable de alimentación del producto es de PVC y sirve sólo para ser instalado en interiores. Para la instalación en exteriores, instale el cable dentro de un tubo de protección.
- Si el cable de alimentación estuviera averiado, el producto no podrá ser utilizado porque el cable no puede ser sustituido. En estos casos, póngase en contacto con el Servicio de Asistencia Nice.
- Durante la instalación, mantenga las personas lejos del toldo cuando esté en movimiento.
- El material de embalaje del producto debe eliminarse respetando la normativa local.

1.3 - Advertencias para el uso

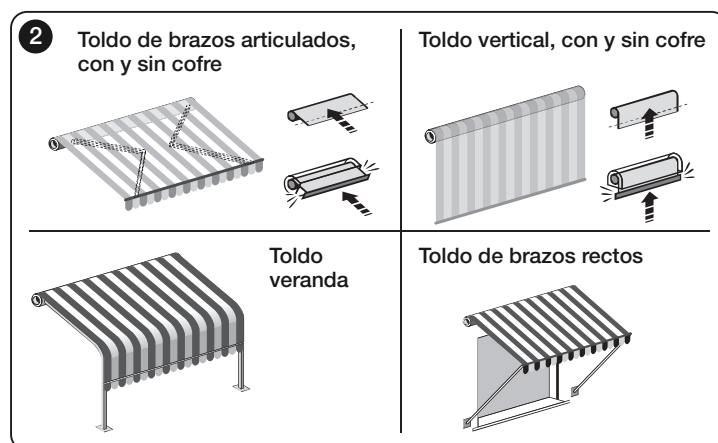
- El producto no está destinado para ser utilizado por personas (niños incluidos) cuyas capacidades físicas, sensoriales o mentales sean reducidas, o sin experiencia ni conocimientos, salvo que dichas personas estén acompañadas por una persona responsable de su seguridad o hayan sido instruidas con relación al uso del producto.
- Controle que los niños no jueguen con el automatismo
- No permita que los niños jueguen con los dispositivos de mando fijos. Mantenga los dispositivos de mando portátiles (control remoto) lejos del alcance de los niños.
- Durante la ejecución del movimiento, controle el automatismo y mantenga las personas alejadas hasta que el movimiento se detenga.
- No accione el toldo cuando se realizan trabajos de mantenimiento (por ejemplo, la limpieza de la ventana cercana). Si el dispositivo de mando es automático, desconecte el toldo de la alimentación eléctrica.
- Recuerde controlar a menudo los muelles de equilibrado o el desgaste de los cables (si dichos mecanismos estuvieran montados). No utilice el automatismo si necesitara ser regulado o reparado; diríjase exclusivamente a personal especializado para solucionar estos problemas.

2 DESCRIPCIÓN DEL PRODUCTO Y USO PREVISTO

Era Star T es una familia de motores tubulares destinados exclusivamente para la automatización de varios tipos de toldos (véase la fig. 2). **¡Prohibido cualquier otro uso! El fabricante no responde de los daños que pudieran ocasionarse por un uso inadecuado del producto y diferente de aquel previsto en este manual.**

Características funcionales del producto:

- es eléctrica (véanse los datos en la placa del motor);
- se instala dentro del tubo de enrollamiento del toldo; la cara que sobresale se fija con los tornillos o los estribos de sostén de Nice (no incluidos);
- puede subir o bajar el toldo;
- integra una central de mando con tecnología por encoder que garantiza el control electrónico del movimiento y la precisión de los fines de carrera;
- se programa con una botonera de pared (pulsadores no interbloqueados) o con un programador TTU (accesorios no suministrados en el paquete);
- se acciona con una botonera de pared: se recomienda utilizar un interruptor estable o inestable con pulsadores enclavados;
- incorpora un protector térmico que, en caso de sobrecalentamiento debido a un uso superior a los límites previstos, interrumpe automáticamente la alimentación eléctrica y la restablece ni bien la temperatura se normaliza.



3 INSTALACIÓN DEL PRODUCTO

3.1 - Controles preliminares y límites de empleo

Antes de la instalación, realice los siguientes controles:

- Controle la integridad de los componentes del producto ni bien los extraiga del embalaje.
- Controle que el motor escogido sea apropiado, comparando sus características técnicas nominales con las características técnicas del toldo; **NO instale el motor si sus características (par nominal, velocidad de rotación y tiempo de funcionamiento) no son adecuadas para automatizar su toldo. En especial, el par motor NO DEBE SUPERAR aquel necesario para mover el toldo.** Otros límites de utilización se indican en el capítulo "Características técnicas".
- Compruebe el diámetro del cilindro de enrollamiento, ya que este debe elegirse en función del par motor. Para ello, es necesario tener en cuenta lo siguiente:
 - Para los motores de talla "S" ($\varnothing = 35 \text{ mm}$), el diámetro interior mínimo del cilindro de enrollamiento debe ser de 40 mm.
 - Para los motores de talla "M" ($\varnothing = 45 \text{ mm}$) y con par motor de hasta 35 Nm (inclusive), el diámetro interior mínimo del cilindro de enrollamiento debe ser de 52 mm.
 - Para los motores de talla "M" ($\varnothing = 45 \text{ mm}$) y con par motor superior a 35 Nm, el diámetro interior mínimo del cilindro de enrollamiento debe ser de 60 mm.
 - Para los motores de talla "L" ($\varnothing = 58 \text{ mm}$), el diámetro interior mínimo del cilindro de enrollamiento debe ser de 70 mm.
- Antes de automatizar un toldo, compruebe que delante del mismo haya suficiente espacio libre como para permitir su apertura total.
- En caso de instalación en exteriores, verifique que el motor tenga una protección adecuada contra los agentes atmosféricos.

3.2 - Ensamblaje e instalación del motor tubular

¡Atención! - Antes de comenzar con el ensamblaje y la instalación del motor tubular, lea detenidamente las advertencias en el apartado 1.2. La instalación incorrecta puede causar lesiones graves.

Para ensamblar e instalar el motor tubular, refiérase a la fig. 3. Consulte el catálogo de productos Nice o la web www.niceforyou.com para escoger la corona del fin de carrera (fig. 3-a), la rueda de arrastre (fig. 3-b) y el soporte de fijación (fig. 3-f) del motor.

• Instale la botonera de mando de pared

- Instale en la pared una botonera de mando, siguiendo con atención las advertencias:
- escoja un mando de 2 pulsadores (*Subida y Bajada*).
 - se recomienda utilizar una botonera que funcione como "hombre presente", es decir en la que haya que mantener presionado el pulsador durante el tiempo deseado de movimiento.
 - coloque la botonera en una posición desde donde vea el toldo y lejos de sus piezas móviles.
 - coloque la botonera junto al toldo, donde se encuentre el cable eléctrico, que proviene del motor tubular, y el cable de alimentación que proviene de la red eléctrica;
 - coloque la botonera a no menos de 1,50 m de altura del suelo.

4 CONEXIONES ELÉCTRICAS

¡Atención!

- Una conexión incorrecta puede provocar averías o situaciones peligrosas.
- Respete escrupulosamente las conexiones indicadas en este manual.
- Instale en la red de alimentación del producto un dispositivo de desconexión de la red que tenga una distancia de apertura de los contactos tal que permita la desconexión completa en las condiciones establecidas para la categoría III de sobretensión, de conformidad con las reglas de instalación (el dispositivo de desconexión no se suministra con el producto).

Para las conexiones eléctricas; consulte el diagrama eléctrico de **fig. 4**. Es posible accionar varios motores con una botonera sola, conectando estos motores "en paralelo". El cable para las conexiones eléctricas del motor tubular posee en su interior 4 conductores:

- **Color Marrón:** = Fase eléctrica de subida / bajada.
- **Color Negro:** = Fase eléctrica de bajada / subida.
- **Color Azul:** = Común (habitualmente conectado al Neutro).
- **Color Amarillo-verde:** = Tierra (conexión equipotencial de protección – no existe en el motor E Star ST).

¡Atención! – La longitud máxima de los cables para conectar una botonera de pared o un mando de relé es de 100 m.

• Asociación de los movimientos de *Subida y Bajada* con los pulsadores respectivos

Al concluir las conexiones, accione algún movimiento (*) para comprobar si los movimientos de subida y bajada están combinados correctamente con los pulsadores de mando respectivos. Si así no fuera, invierta la conexión entre los conductores **Marrón** y **Negro**.

(*) – Durante la ejecución del movimiento compruebe que el toldo realice 2 movimientos breves (automatismo conectado correctamente). La dirección de rotación del motor no es importante.

5 PROGRAMACIÓN

5.1 - Advertencias para la programación

• En general

- Respete escrupulosamente los límites de tiempo indicados en los procedimientos.
- Las posiciones **0**, **1**, **2**, **S** del toldo, citadas en el texto, corresponden a aquellas ilustradas en la **fig. 6**.
- Durante los trabajos de instalación y regulación, cuando aún no están hechas las conexiones eléctricas definitivas, es posible accionar el motor tubular con la unidad "TTU" de Nice (**fig. 7**).

• Señalizaciones del motor

- ❑ El motor ejecuta 1 breve interrupción al comienzo del movimiento y, posteriormente, reanuda el movimiento = está memorizado 1 solo fin de carrera.
- ❑ El motor ejecuta 2 breves interrupciones al comienzo del movimiento y, posteriormente, reanuda el movimiento = no hay ningún fin de carrera memorizado.
- ❑ Manteniendo presionado el pulsador de mando (modo "Hombre presente") el movimiento arranca pero se interrumpe poco después, sin concluir la maniobra = proceda con la cancelación total y, posteriormente, con la programación de los finales de carrera.

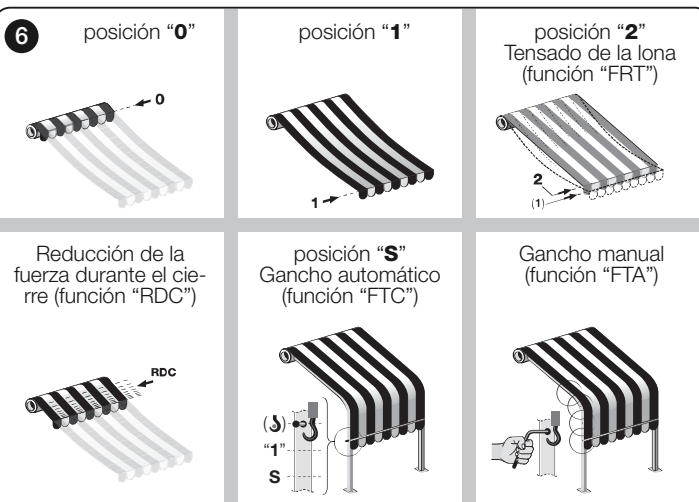
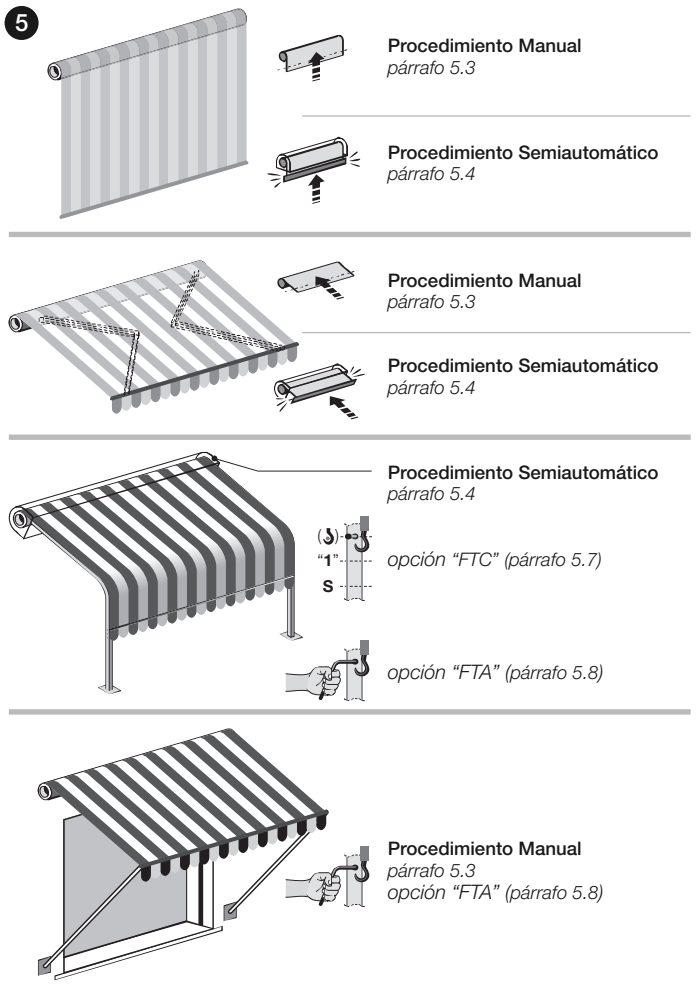
5.2 - Programación de los fines de carrera

l fincorsa "0" e "1" (**fig. 6**) sono le posizioni-base che la tenda assume al termine del movimento di Salita ("0") e al termine del movimento di Discesa ("1"). Per scegliere la procedura più adatta alle caratteristiche dell'impianto, consultare la **fig. 5**.

• Nota sobre la función "RDC"

La función **RDC** permite evitar que la lona quede excesivamente tensa al concluir el cierre. La función reduce automáticamente el par de tracción del motor, durante la fase final del movimiento de cierre (para configurar el valor de par deseado, véase el párrafo 5.5).

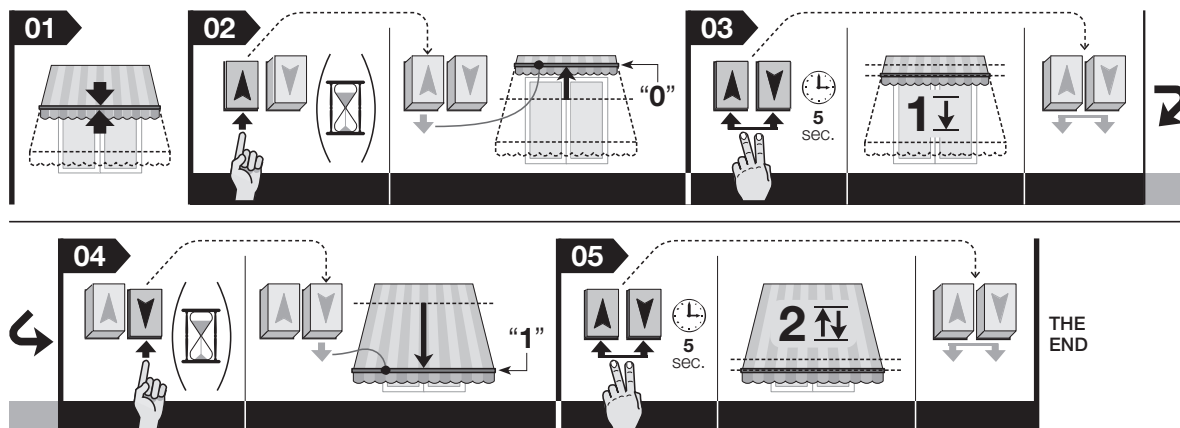
Esta función se activa en fábrica pero no es aplicable si los finales de carrera se programan con el procedimiento manual (apartado 5.3). Puede desactivarse exclusivamente durante la programación de los finales de carrera con el procedimiento semiautomático (apartado 5.4).



5.3 - Programar los fines de carrera "0" y "1" en modo **MANUAL**

¡Atención! • Esta programación está indicada para los toldos sin cofre. • Es posible memorizar al comienzo el final de carrera superior (0) o el final de carrera inferior (1), de distinta manera, según su necesidad. • La función RDC no puede activarse.

01. Utilizando el pulsador de **Subida** o de **Bajada**, coloque el toldo en la mitad de su carrera. **Nota** - durante el movimiento, 2 interrupciones breves señalarán que no hay ningún fin de carrera memorizado.
02. Mantenga presionado el pulsador de **Subida** hasta que el toldo se coloque en la posición de fin de carrera deseada; posteriormente, suelte el pulsador.
03. Mantenga presionados simultáneamente los dos pulsadores de **Subida** y **Bajada** y suéltelos después de que el motor haya realizado un breve movimiento de bajada.
04. Mantenga presionado el pulsador de **Bajada** hasta que el toldo se coloque en la posición de fin de carrera deseada; posteriormente, suelte el pulsador. **Nota** - durante el movimiento, 1 interrupción breve señalará que hay un solo fin de carrera memorizado.
05. Mantenga presionados simultáneamente los dos pulsadores de **Subida** y **Bajada** y suéltelos después de que el toldo haya realizado un breve movimiento de subida y uno de bajada.

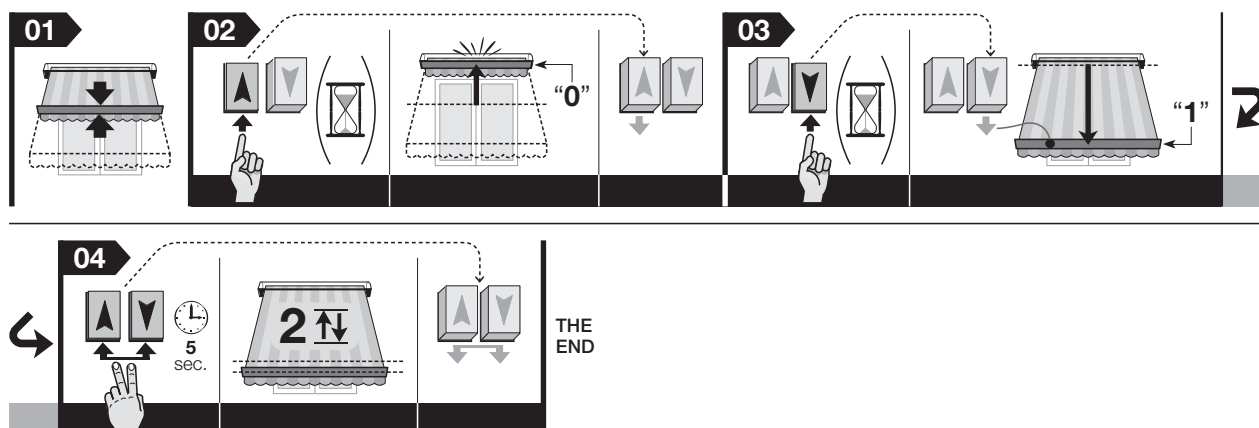


5.4 - Programar los fines de carrera "0" y "1" en modo **SEMIAUTOMÁTICO**

¡Atención! • Esta programación es indicada para los toldos con cofre. • Programar primero la posición "0" y después la posición "1".

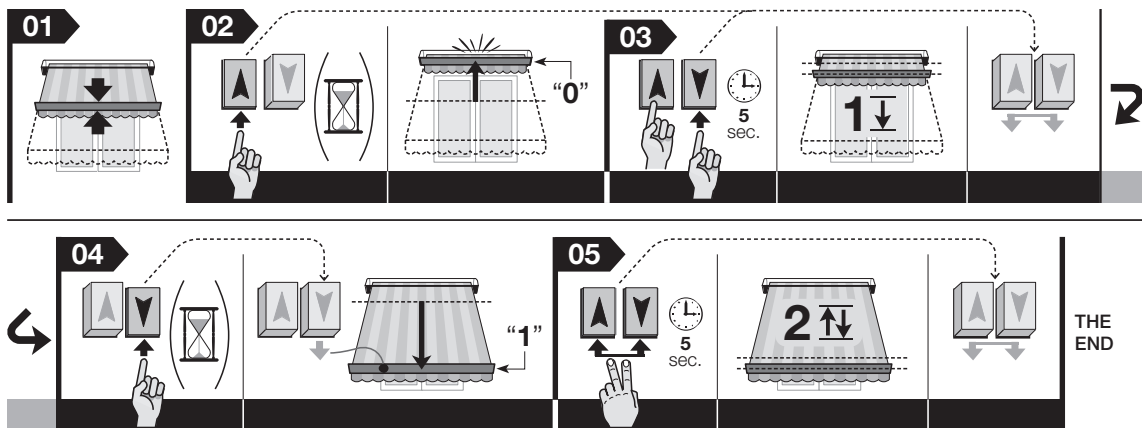
• (Mantiene activa la función "RDC")

01. Utilizando el pulsador de **Subida** o de **Bajada**, coloque el toldo en la mitad de su carrera. **Nota** - durante el movimiento, 2 interrupciones breves señalarán que no hay ningún fin de carrera memorizado.
02. Mantenga presionado el pulsador de **Subida** hasta que el toldo se detenga por el impacto contra el fin de carrera "0"; posteriormente, suelte el pulsador.
03. Mantenga presionado el pulsador de **Bajada** hasta que el toldo se coloque en la posición de fin de carrera deseada ("1"); posteriormente, suelte el pulsador.
04. Mantenga presionados simultáneamente los dos pulsadores de **Subida** y **Bajada** y suéltelos después de que el toldo haya realizado un breve movimiento de subida y uno de bajada.



• (Desactiva simultáneamente también la función de "RDC")

01. Utilizando el pulsador de **Subida** o de **Bajada**, coloque el toldo en la mitad de su carrera. **Nota** - durante el movimiento, 2 interrupciones breves señalarán que no hay ningún fin de carrera memorizado.
02. Mantenga pulsado el pulsador de **Subida** hasta que el toldo se detenga por el impacto contra el final de carrera "0"; (¡no suelte el pulsador!)
03. Con el pulsador de **Subida** aún presionado, también mantenga pulsado el de **Bajada** y espere a que el toldo ejecute un breve movimiento de bajada; al final suelte ambos pulsadores.
04. Mantenga presionado el pulsador de **Bajada** hasta que el toldo se coloque en la posición de fin de carrera deseada ("1"); posteriormente, suelte el pulsador.
05. Mantenga presionados simultáneamente los dos pulsadores de **Subida** y **Bajada** y suéltelos después de que el toldo haya realizado un breve movimiento de subida y uno de bajada.



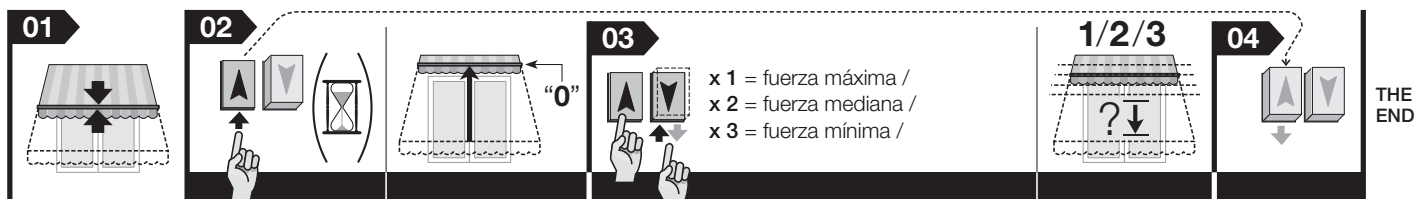
5.5 - Regulación de la fuerza durante el cierre: función "RDC"

¡Atención! - La personalización del nivel "RDC" puede efectuarse exclusivamente tras haber programado las cotas de fin de carrera "0" y "1".

01. Utilizando el pulsador de **Subida** o de **Bajada**, coloque el toldo en la mitad de su carrera.
02. Mantenga presionado el pulsador de **Subida** hasta que el toldo alcance el fin de carrera "0" (no suelte el pulsador).
03. Entonces, con el pulsador **Subida** aún presionado, pulse también el pulsador **Bajada** una cantidad de veces equivalente al nivel que se ha de seleccionar (cada presión debe durar 1 segundo seguida por 1 segundo de pausa). Con el pulsador de **Subida** aún apretado, espere a que el toldo realice una cantidad de movimientos (en dirección de bajada) equivalente al nuevo nivel configurado. Los niveles disponibles son:

nivel 1 = fuerza máxima (nivel configurado en fábrica) / nivel 2 = fuerza mediana / nivel 3 = fuerza mínima

04. Por último, suelte el pulsador de **Subida**.



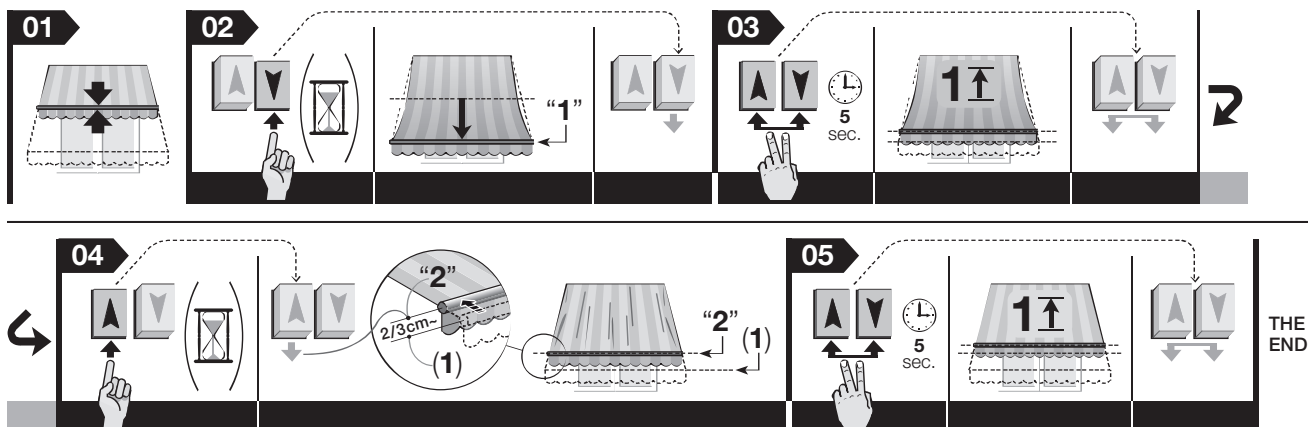
5.6 - Tensado del toldo: función "FRT" (posición "2")

Esta función sirve para tensar la lona de un Toldo cuando esta abierto. La función se activa programando en Era Star T la posición "2". Durante la utilización del automatismo, cuando el toldo se abre, el motor lo coloca primero en la posición "1" e, inmediatamente después, tensa la lona accionando automáticamente una breve subida hasta la posición "2".

¡Atención! - La función "FRT" puede programarse exclusivamente tras haber programado las cotas de fin de carrera "0" y "1".

• Para activar la función "FRT"

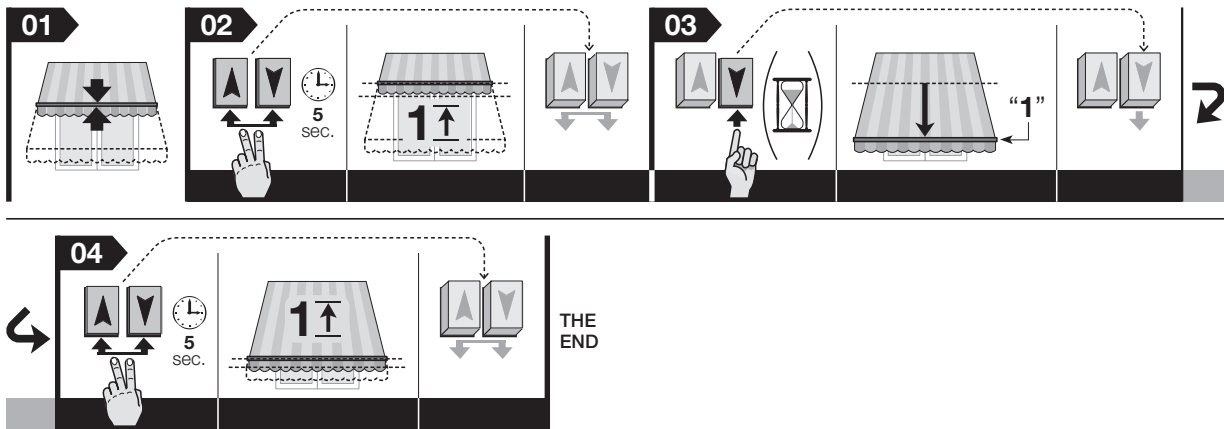
01. Utilizando el pulsador de **Subida** o de **Bajada**, coloque el toldo en la mitad de su carrera.
02. Utilizando el pulsador de **Bajada**, coloque el toldo en posición "1".
03. Mantenga presionados simultáneamente los pulsadores de **Subida** y **Bajada** hasta que el toldo ejecute un breve movimiento de subida; por último, suelte ambos pulsadores.
04. Utilice el pulsador de **Subida** para cerrar unos pocos centímetros el toldo, hasta que la lona quede bien tensa (esta será la posición "2").
05. Mantenga presionados simultáneamente los pulsadores de **Subida** y **Bajada** hasta que el toldo ejecute un breve movimiento de subida; por último, suelte ambos pulsadores.



• **Para desactivar la función "FRT"**

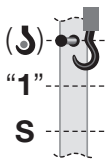
01. Utilizando el pulsador de **Subida** o de **Bajada**, coloque el toldo en la mitad de su carrera.
02. Mantenga presionados simultáneamente los pulsadores de **Subida** y **Bajada** hasta que el toldo ejecute un breve movimiento de subida; al final suelte ambos pulsadores.
03. Mantenga presionado el pulsador de **Bajada** para colocar el toldo en el fin de carrera "1" y suéltelo exactamente en el instante en que el toldo se detiene automáticamente en este fin de carrera.
04. Mantenga presionados simultáneamente los pulsadores de **Subida** y **Bajada** hasta que el toldo ejecute un breve movimiento de subida; al final suelte ambos pulsadores.

Nota – Tras haber borrado la posición "2" el toldo se moverá entre las posiciones "0" y "1" de fin de carrera.



5.7 - Toldo con enganche AUTOMÁTICO de la lona durante la apertura: función "FTC"

Esta función permite enganchar y desenganchar el toldo automáticamente. La función "FTC" puede activarse solamente si el toldo incorpora, en una sola posición, el mecanismo de enganche/desenganche automático de la lona, situado en la posición de apertura del toldo. El motor permite memorizar una sola posición de enganche. Por lo general, este tipo de mecanismo incorpora un dispositivo para el enganche mecánico del toldo y otros dos puntos (situados más allá del tope) que el toldo debe alcanzar para permitir el enganche (en posición "1") y el desenganche (en posición "S") de la lona. Por consiguiente, para que el mecanismo funcione correctamente hay que configurar y memorizar las dos posiciones "1" y "S" del siguiente modo.

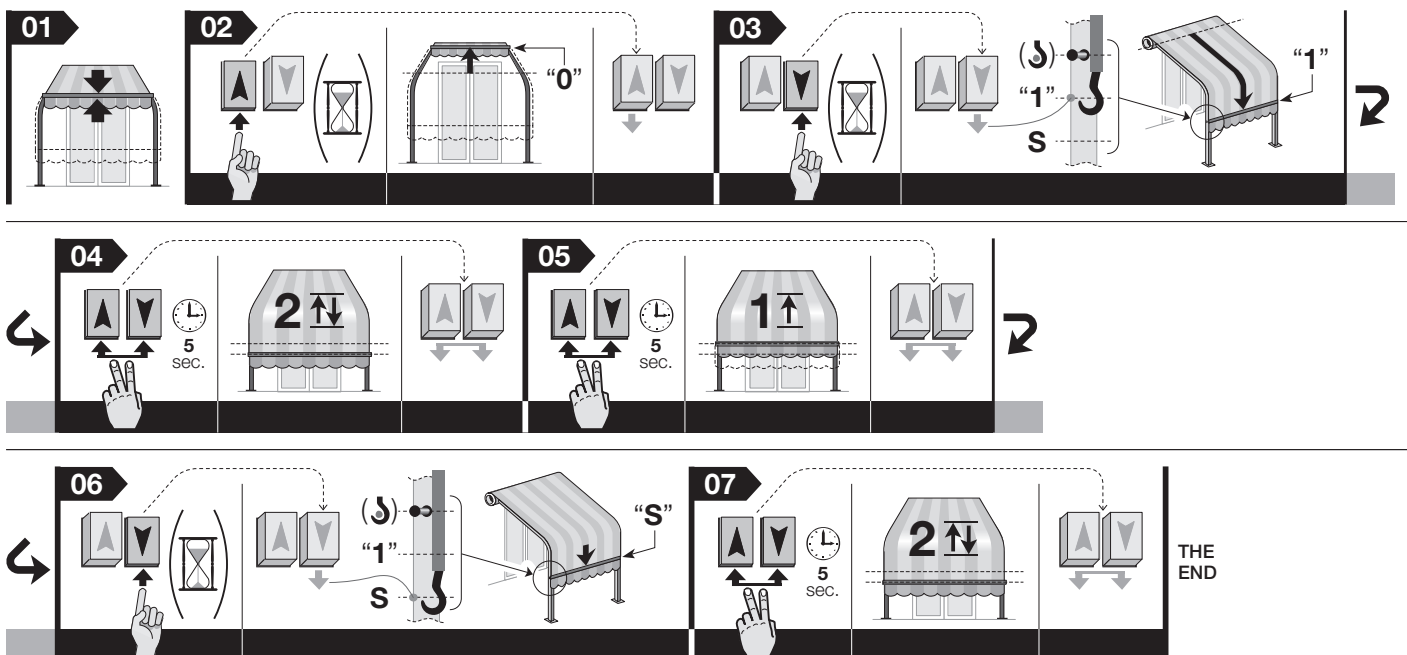


¡Atención!

- Antes de programar la función "FTC", compruebe que no estén memorizados los fines de carrera "0" y "1"; en su caso bórrelos utilizando el procedimiento 5.9. • La posición "1" debe estar situada algunos centímetros después del mecanismo de enganche. Así, durante la apertura, la lona alcanzará primero la posición "1" y después se enganchará en el mecanismo durante la subida. • La posición "S" debe estar situada algunos centímetros después del mecanismo de desenganche. Así, durante el cierre, la lona alcanzará primero la posición "S", se desenganchará automáticamente del mecanismo de enganche y subirá hasta el fin de carrera de cierre "0".

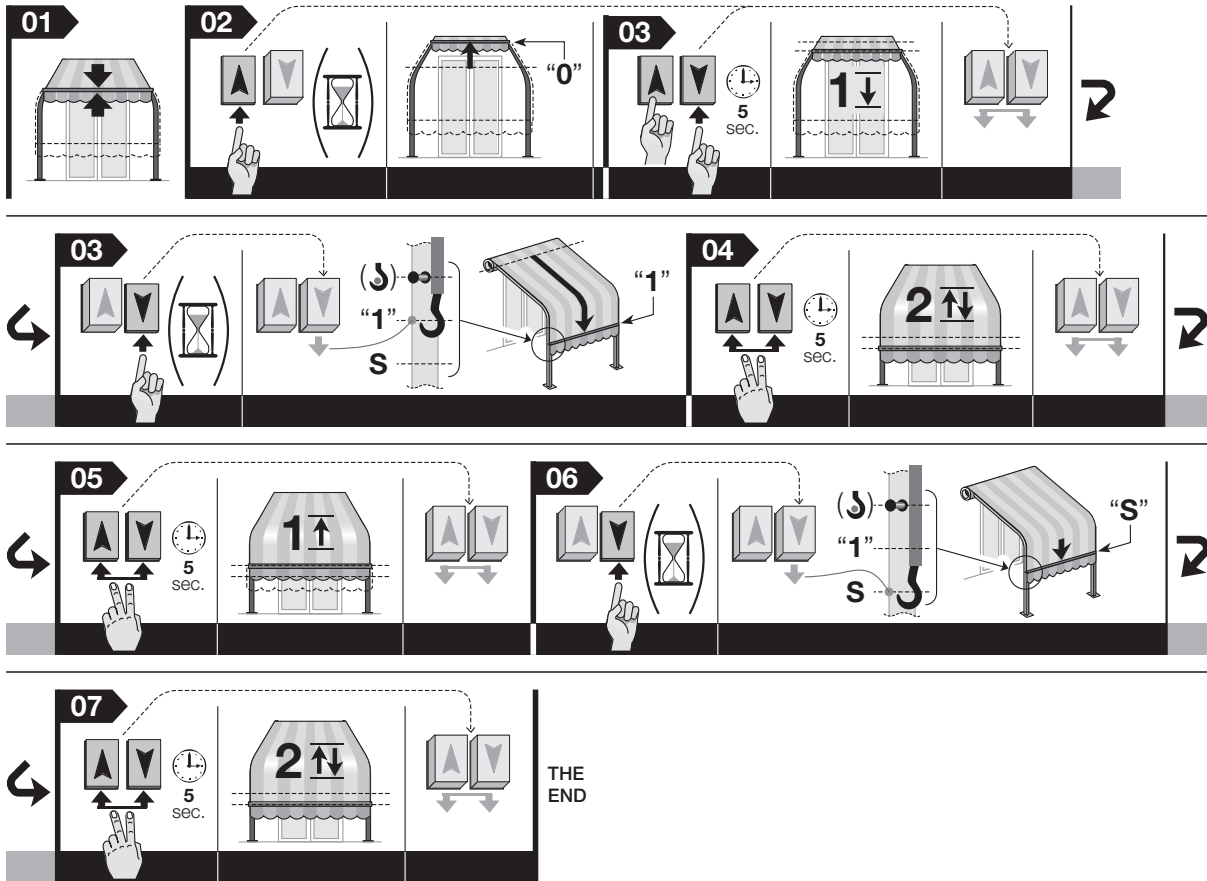
• **(Mantiene activa la función "RDC")**

01. Utilizando el pulsador de **Subida** o de **Bajada**, coloque el toldo en la mitad de su carrera.
02. Mantenga pulsado el pulsador de **Subida** hasta que el toldo se detenga automáticamente en el final de carrera "0"; posteriormente, suelte el pulsador.
03. Mantenga pulsado el pulsador de **Bajada** y coloque el toldo superando el punto de enganche y deténgalo algunos centímetros después (si fuera necesario, corrija la posición con los dos pulsadores).
04. Mantenga presionados simultáneamente los dos pulsadores de **Subida** y **Bajada** y espere a que el toldo realice dos breves movimientos: uno de subida y (transcurridos unos segundos) uno de bajada, hasta detenerse de nuevo en la posición antes programada. Al concluir, suelte los pulsadores.
05. Mantenga presionados simultáneamente los pulsadores de **Subida** y **Bajada** hasta que el toldo ejecute un breve movimiento de subida. Al concluir, suelte los pulsadores.
06. Utilice aún los dos pulsadores de **Subida** y **Bajada**, para colocar el toldo en la posición de desenganche "S".
07. Mantenga presionados simultáneamente los dos pulsadores de **Subida** y **Bajada** y espere a que el toldo realice dos breves movimientos: uno de subida y (transcurridos unos segundos) uno de bajada, hasta detenerse de nuevo en la posición antes programada. Al concluir, suelte los pulsadores.

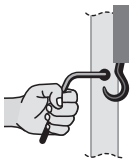


• **(Desactiva simultáneamente también la función de "RDC")**

01. Utilizando el pulsador de **Subida** o de **Bajada**, coloque el toldo en la mitad de su carrera.
02. Mantenga pulsado el pulsador de **Subida** y espere a que el toldo se detenga automáticamente en el final de carrera "0"; (¡no suelte el pulsador!)
03. Con el pulsador de **Subida** aún presionado, también mantenga pulsado el de **Bajada** y espere a que el toldo ejecute un breve movimiento de bajada; al final suelte ambos pulsadores.
04. Mantenga presionados simultáneamente los dos pulsadores de **Subida** y **Bajada** y espere a que el toldo realice dos breves movimientos: uno de subida y (transcurridos unos segundos) uno de bajada, hasta detenerse de nuevo en la posición antes programada. Al concluir, suelte los pulsadores.
05. Mantenga presionados simultáneamente los pulsadores de **Subida** y **Bajada** hasta que el toldo ejecute un breve movimiento de subida. Al concluir, suelte los pulsadores.
06. Utilice aún los dos pulsadores de **Subida** y **Bajada**, para colocar el toldo en la posición de desenganche "S".
07. Mantenga presionados simultáneamente los dos pulsadores de **Subida** y **Bajada** y espere a que el toldo realice dos breves movimientos: uno de subida y (transcurridos unos segundos) uno de bajada, hasta detenerse de nuevo en la posición antes programada. Al concluir, suelte los pulsadores.



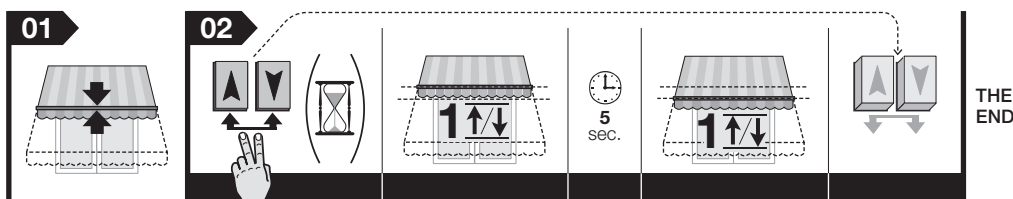
5.8 - Toldo con enganche **MANUAL** de la lona durante la apertura: función "FTA"



La función está dedicada exclusivamente a los toldos que incorporan un mecanismo manual para bloquear la lona en la posición de apertura (por ejemplo, el mecanismo montado en los toldos de brazo recto, en los toldos veranda, etc.). El motor permite memorizar varias posiciones de enganche. Si la función está activa, durante el movimiento de cierre el motor se detiene automáticamente ni bien el toldo encuentra el mecanismo de bloqueo a lo largo del recorrido. Sucesivamente, para desbloquear el toldo, presione el pulsador de **Bajada**, espere a que el toldo alcance el fin de carrera "1", desbloquee manualmente el mecanismo y cierre el toldo con el pulsador de **Subida**.

¡Atención! - La función "FTA" puede programarse exclusivamente después de programar las cotas de fin de carrera "0" y "1". Con la "FTA" activa, la función "RDC" actúa en toda la carrera del toldo.

01. Utilizando el pulsador de **Subida** o de **Bajada**, coloque el toldo en la mitad de su carrera.
02. Mantenga presionados simultáneamente los dos pulsadores de **Subida** y **Bajada** y espere a que el toldo realice un breve movimiento, una pausa y otro breve movimiento; al concluir, suelte los pulsadores.

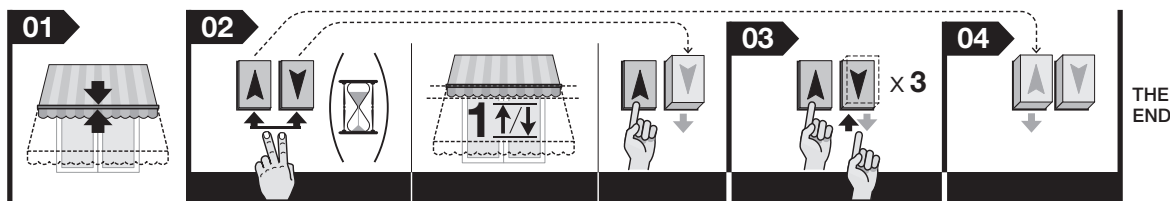


5.9 - Borrado total de la memoria

¡Atención! – El presente procedimiento borra todos los datos presentes en la memoria de la Central, incluidas las posiciones “0” y “1”.

01. Utilizando el pulsador de **Subida** o de **Bajada**, coloque el toldo en la mitad de su carrera.
02. Mantenga presionados simultáneamente los dos pulsadores de **Subida y Bajada** y espere a que el toldo realice un breve movimiento; al concluir, suelte uno solo de los pulsadores.
03. Antes de transcurridos 3 segundos desde que el toldo realizó el breve movimiento, presione 3 veces el pulsador que ha sido soltado antes, en el punto 02.
04. Por último, suelte también el otro botón.

Nota – Si el borrado se hizo correctamente, accionando una subida o una bajada el toldo realiza **2 breves movimientos** (= ningún fin de carrera programado).



6 ADVERTENCIAS PARA EL USO DIARIO DEL AUTOMATISMO

6.1 - Ciclo máximo de trabajo continuo

Generalmente, los motores tubulares de la línea “Max”, si bien garantizan un tiempo de funcionamiento continuo máximo de 4 minutos, han sido diseñados para un uso residencial y, por lo tanto, para un uso discontinuo. Por consiguiente, en el caso de recalentamiento (por ejemplo por motivo de un accionamiento continuo y prolongado) se desconectará automáticamente el “protector térmico” de seguridad que cortará la alimentación eléctrica y la restablecerá ni bien la temperatura se encuentre dentro de los valores normales.

Qué hacer si ... (guía para solucionar los problemas)

- ❑ **Alimentando una fase eléctrica, el motor no se mueve:**
Excluyendo la posibilidad que se haya activado la protección térmica, para lo cual basta con esperar a que el motor se enfríe, compruebe que la tensión de red corresponda a los datos indicados en las características técnicas de esta manual, midiendo la energía entre el conductor “común” y aquel de la fase eléctrica alimentada. Por último, pruebe a alimentar la fase eléctrica opuesta.
- ❑ **Enviando un mando de subida, el motor no arranca:**
Si el toldo ya está cerrado o casi cerrado, el motor no realiza el movimiento de subida. En este caso, primero hay que hacer bajar el toldo por un breve trecho y después activar de nuevo el mando de subida.
- ❑ **El sistema funciona en condición de emergencia con “hombre presente”:**
 - Verifique si el motor ha sufrido un choque eléctrico o mecánico importante.
 - Compruebe que las piezas del motor estén íntegras.
 - Realice el procedimiento para borrar (apartado 5.9) y programar de nuevo los finales de carrera.

Eliminación del producto

Este producto forma parte integrante de la automatización y, por consiguiente, debe eliminarse junto con ésta.

Al igual que para las operaciones de instalación, también al final de la vida útil de este producto, las operaciones de desguace deben ser efectuadas por personal experto.

Este producto está formado de varios tipos de materiales: algunos pueden reciclarse y otros deben eliminarse. Infórmese sobre los sistemas de reciclaje o de eliminación previstos por las normativas vigentes locales para esta categoría de producto.

¡Atención! - algunas piezas del producto pueden contener sustancias contaminantes o peligrosas que, si se las abandona en el medio ambiente, podrían provocar efectos perjudiciales para el mismo medio ambiente y para la salud humana.

Tal como indicado por el símbolo de aquí al lado, está prohibido arrojar este producto a los residuos urbanos. Realice la “recogida selectiva” para la eliminación, según los métodos previstos por las normativas vigentes locales, o bien entregue el producto al vendedor cuando compre un nuevo producto equivalente.



¡Atención! - las reglas locales pueden prever sanciones importantes en el caso de eliminación abusiva de este producto.

Características técnicas

Tensión de alimentación: 230 Vac - 50 Hz

Potencia absorbida en stand-by: 0,5 W

Resolución del encoder: 2,7°

Tiempo de funcionamiento continuo: 4 min

Longitud del cable de conexión: 2,5 m

Temperatura de funcionamiento: -20°C

Grado de protección IP: IP 44

Notas:

– Todas las características técnicas indicadas se refieren a una temperatura ambiental de 20°C (± 5°C).

– Nice S.p.a. se reserva el derecho de modificar el producto en cualquier momento, manteniendo las mismas funcionalidades y el mismo uso previsto.

Declaración de conformidad CE

Con la presente, Nice S.p.A. declara que los productos: **E Star ST 324, E Star ST 524, E Star ST 611, E Star ST 1011, E Star ST 430, E Star MT 1030, E Star MT 817, E Star MT 1517, E Star MT 3017, E Star MT 4012, E Star MT 5012, E Star LT** responden a los requisitos esenciales y a las disposiciones pertinentes, establecidas por las directivas **2006/95/CE, 2004/108/CE**. La declaración de conformidad CE puede consultarse e imprimirse en el sitio www.nice-service.it o puede solicitarse a Nice S.p.A.

Ing. Luigi Paro
(Administrador Delegado)

Schnellanleitung

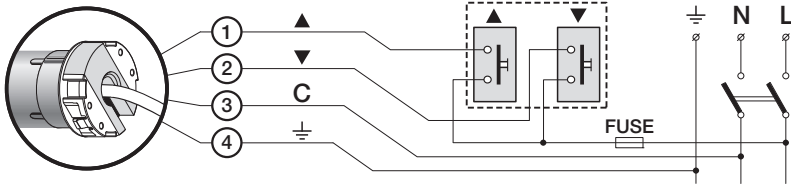
Era Star T Rohrmotor für Markisen

Hinweis • In dieser Anleitung erfolgt die Nummerierung der Abbildung selbstständig und entspricht nicht der Nummerierung des Texts des vollständigen Handbuchs. • Dieses Handbuch ersetzt nicht das komplette Handbuch.

Nice

DEUTSCH

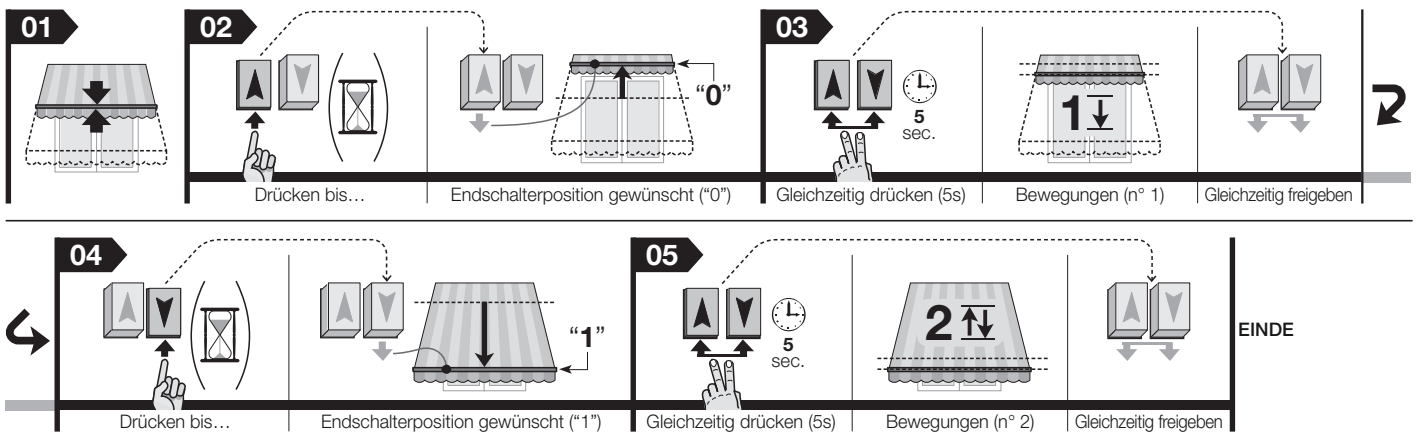
1 - Elektrische Anschlüsse - Bez. Kapitel 4



- 1 - Braun:** = elektrische Anstiegs-/Senkphase.
- 2 - Schwarz:** = elektrische Senk-/Anstiegsphase.
- 3 - Blau:** = Gemeinsam (normalerweise am Nullleiter angeschlossen).
- 4 - Gelb-grün:** = Erde (äquipotentialer Schutzanschluss – nicht im Motor E Star ST existieren).

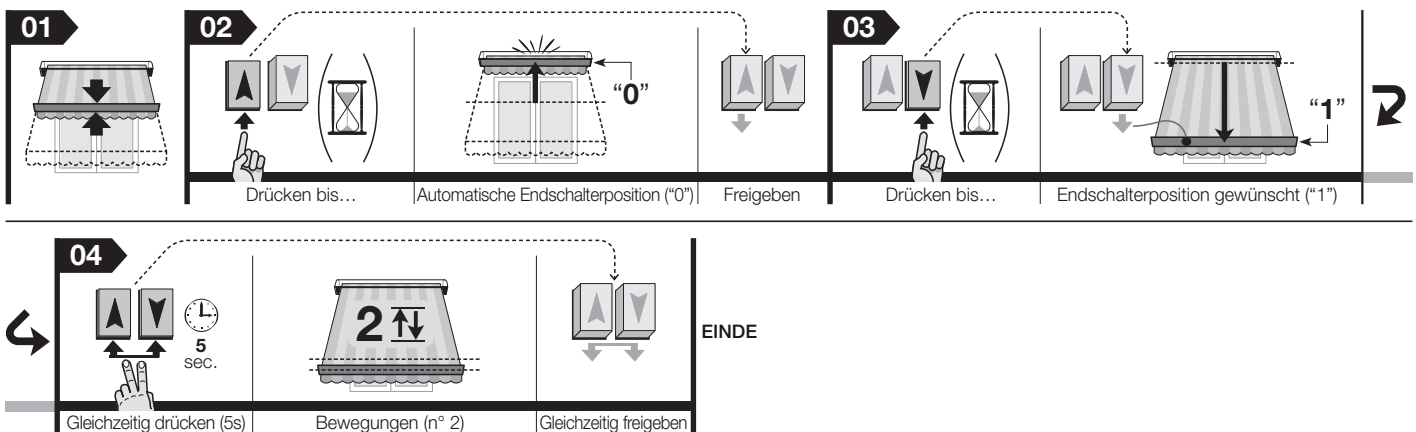
2 - MANUELLE Programmierung der Endschalter "0" und "1" - Bez. Abschnitt 5.3

Es ist möglich, je nach Ihrem Bedarf, am Anfang entweder den Endschalter oben (0) oder den Endschalter unten (1) zu speichern.

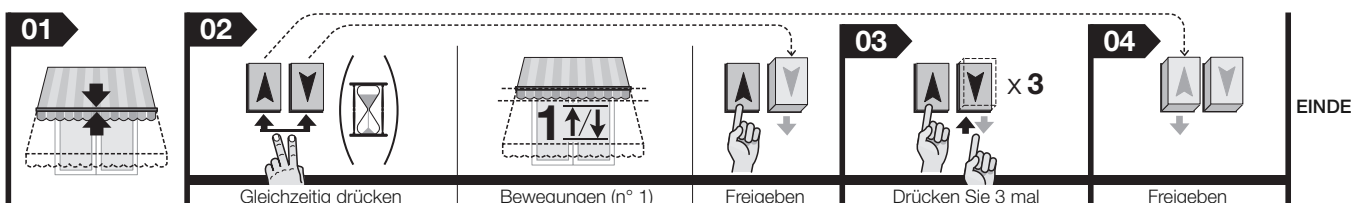


3 - HALBAUTOMATISCHE Programmierung der Endschalter "0" und "1" - Bez. Abschnitt 5.4

(Hält die Funktion „RDC“)



4 - Löschen des Speichers - Bez. Abschnitt 5.9



Vollständiges Handbuch

Hinweise zum Nachschlagen im Handbuch – Einige im Text genannte Abbildungen werden am Ende des Handbuchs aufgeführt.

1 VORSICHTSMASSNAHMEN UND SICHERHEITSHINWEISE

1.1 - Sicherheitshinweise

- **ACHTUNG!** - Wichtige Sicherheitsanweisungen. Für die Sicherheit der Personen ist es wichtig, sich an diese Anweisungen zu halten, da eine falsche Installation schwerwiegende Verletzungen hervorrufen kann. Die Anleitungen aufmerksam lesen, bevor die Arbeit begonnen wird; im Zweifelsfall den Kundendienst Nice fragen.
- **ACHTUNG!** - Bewahren Sie das vorliegende Handbuch auf, um zukünftige Ent- sorgungs- oder Wartungsarbeiten am Produkt zu erleichtern.
- **ACHTUNG!** - Alle Installations-, Anschluss-, Programmierungs- und Wartungs- arbeiten des Produkts dürfen nur durch einen qualifizierten und kompetenten Techniker ausgeführt werden, wobei die Gesetze, Vorschriften, örtlichen Rege- lungen und die in diesem Handbuch aufgeführten Anleitungen eingehalten wer- den müssen.

1.2 - Hinweise zur Installation

- Vor dem Beginn der Installation prüfen, ob dieses Produkt zur Automatisierung Ihrer Markise geeignet ist (siehe Abschnitt 3.1).
- Alle Installations- und Wartungsarbeiten des Produkts dürfen nur bei vom Stromnetz getrennter Automatisierung ausgeführt werden. Zur Vorsicht muss vor dem Beginn der Arbeit an der Trennvorrichtung ein Schild mit "VORSICHT! WARTUNG IM GANG" angebracht werden.
- Räumen Sie vor Installationsbeginn alle nicht dazu notwendigen Elektrokabel aus dem Arbeitsbereich; deaktivieren Sie alle Mechanismen, die für das motor- betriebene Funktionieren der Markise nicht notwendig sind.
- Falls das Produkt auf einer Höhe unter 2,5 m vom Fußboden (oder einer anderen Stützfläche) installiert wird, müssen die Bewegungsteile der Automatisierung vor willkürlichem Zugang mit einer Abdeckung geschützt sein. Zur Ausführung des Schutzes beziehen Sie sich auf die Gebrauchsanleitung der Markise, wodurch der Zugang für die Wartungseingriffe jederzeit gewährleistet bleibt.
- Während der Installation das Produkt mit Sorgfalt behandeln: Quetschungen, Stö- ße, Fallen oder Kontakte mit allen Flüssigkeiten vermeiden, außerhalb des Motors nicht bohren oder Schrauben anbringen; das Produkt nicht in die Nähe von Wär- mequellen bringen und keinem offenen Feuer aussetzen (**Abb. 1**). Solche Hand- lungen können das Produkt schädigen und Betriebsstörungen oder Gefahren verur- sachen. Sollte dies der Fall sein, die Installation unverzüglich unterbrechen und den Nice Kundendienst kontaktieren.
- Bei der Installation dürfen auf der Rohrstrecke, die der Rohrmotor durchquert, keine Schrauben angebracht sein. Solche Schrauben können den Motor beschädigen.
- Das Produkt nicht mehr als in diesem Handbuch angegeben zerlegen.
- Keine Änderungen an Teilen des Produkts vornehmen, die über die Angaben dies- es Handbuchs hinausgehen. Unerlaubte Vorgänge können mangelhafte Funkti- onen hervorrufen. Der Hersteller übernimmt keinerlei Haftung für Schäden, die durch willkürlich veränderte Produkte entstanden sind.
- Das Speisungskabel des Produkts ist für eine ausschließlich interne Anwendung geeignet, da es aus PVC ist. Wenn die Installation außen erfolgt, muss das Kabel in einen Kabelkanal gelegt werden.
- Wenn das Speisungskabel beschädigt ist, darf das Produkt nicht verwendet wer- den, da das Kabel nicht ersetzt werden kann. In diesem Fall den Kundendienst Nice hinzuziehen.
- Während der Ausführung der Anlage müssen die Personen von der Markise fernge- halten werden, wenn diese in Bewegung ist.
- Das Verpackungsmaterial des Produktes muss unter voller Einhaltung der örtlichen Vorschriften entsorgt werden.

1.3 - Hinweise zur Bedienung

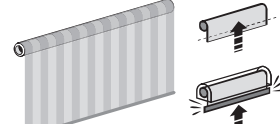
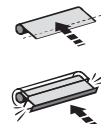
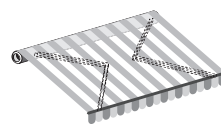
- Das Produkt darf nicht von Personen (einschließlich Kindern) verwendet werden, deren physische, empfindungsbezogene oder geistige Fähigkeiten eingeschränkt sind, oder die keine Erfahrung oder Kenntnisse besitzen, außer wenn diese mittels einer für ihre Sicherheit verantwortlichen Person überwacht werden oder Anleitungen über die Anwendung des Produkts erhalten haben.
- Kinder müssen überwacht werden, um sicherzustellen, dass sie nicht mit der Auto- matisierung spielen.
- Kinder dürfen nicht mit den festen Steuerungen der Automatisierung spielen. Die tragbaren Steuervorrichtungen (ferngesteuert) außerhalb der Reichweite von Kin- dern aufbewahren.
- Während der Ausführung der Bewegung die Automatisierung kontrollieren und die Personen fernhalten, bis die Bewegung abgeschlossen ist.
- Die Markise nicht betätigen, wenn Wartungsvorgänge ausgeführt werden (z.B. die Reinigung des anliegenden Fensters). Wenn die Steuervorrichtung automatisch ist, die Markise von der Stromspeisung trennen.
- Erinnern Sie sich daran, die Ausgleichsfedern und die Abnutzung der Seile häufig zu kontrollieren (wenn diese Mechanismen vorliegen). Die Automatisierung nicht verwenden, wenn sie Einstellungen oder Reparaturen benötigt; wenden Sie sich ausschließlich an spezialisiertes technisches Personal zur Lösung dieser Probleme.

Era Star T ist eine Rohrmotorserie zur ausschließlichen Automatisierung verschie- dener Markenarten (siehe **Abb. 2**). **Jede andere Verwendung ist untersagt! Der Her- steller haftet nicht für Schäden durch eine falsche Anwendung des Produkts entgegen der Beschreibung dieser Gebrauchsanleitung.**

Funktionsmerkmale des Produkts:

- wird durch das Stromnetz gespeist (siehe Typenschild des Motors);
- Es wird in dem Rohr installiert, das die Markise aufrollt; die abstehende Seite wird mit Schrauben und/ oder entsprechenden Halterungen von Nice installiert (nicht in der Verpackung enthalten);
- Es kann die Markise anheben und senken;
- Es ist in einer Steuerung mit einer Encoder-Technologie integriert, die die elektroni- sche Kontrolle der Bewegung und die Präzision der Endschalter garantiert;
- Er wird mit einer Druckknopf- oder Tasten- (nicht verblockte Druckknöpfe) oder mit einem Programmierer TTU programmiert (Zubehör nicht in der Verpackung ent- halten);
- wird mit einer Wanddruckknopf- oder Tasten- gesteuert: Wir empfehlen die Anwendung eines stabilen oder nicht stabilen Schalters mit verblockten Druckknöpfen;
- Es ist mit einem Thermo- oder Temperaturschutz ausgestattet, der im Falle einer Überhitzung auf- grund einer Anwendung der Automatisierung über den vorgesehenen Limits, auto- matisch die Stromspeisung unterbricht und erst wieder einschaltet, wenn die Tem- peratur normal ist.

2 Markise mit Gelenkarmen, mit und ohne Kasten Rollo, mit und ohne Kasten



Beschat- tungsmar- kise



Markise mit geraden Armen

3 INSTALLATION DES PRODUKTES

3.1 - Vorprüfungen und Einsatzbeschränkungen-

Führen Sie folgende Überprüfungen aus, bevor Sie die Installation beginnen:

- Die Unversehrtheit der Bestandteile des Produkts sofort prüfen, wenn sie aus der Verpackung genommen werden.
- Die Eignung des gewählten Antriebs prüfen, indem die genannten technischen Ei- genschaften mit den technischen Eigenschaften Ihrer Markise verglichen werden, d.h. dass der Antrieb **NICHT installiert werden darf, wenn seine Eigenschaften (Nenn Drehmoment, Drehgeschwindigkeit und Betriebszeit) nicht zur Bewe- gung Ihrer Markise geeignet sind. Insbesondere darf der Motorendrehmoment NICHT ÜBER demjenigen sein, der zur Bewegung der Markise notwendig ist.** Weitere Anwendungseinschränkungen sind im Kapitel „Technische Merkmale“ ent- halten.
- Überprüfen Sie den Durchmesser der Aufwickelrolle. Diese muss entsprechend dem Drehmoment des Motors folgendermaßen gewählt werden:
 - für die Motoren der Größe „S“ ($\varnothing = 35 \text{ mm}$), muss der Innendurchmesser min- destens 40 mm betragen;
 - für die Motoren der Größe „M“ ($\varnothing = 45 \text{ mm}$) und Drehmoment bis 35 Nm (ein- schließlich), muss der Innendurchmesser mindestens 52 mm betragen;
 - für die Motoren der Größe „M“ ($\varnothing = 45 \text{ mm}$) und Drehmoment bis 35 Nm (ein- schließlich), muss der Innendurchmesser mindestens 60 mm betragen;
 - für die Motoren der Größe „L“ ($\varnothing = 58 \text{ mm}$), muss der Innendurchmesser min- destens 70 mm betragen.
- Vor der Automatisierung einer Markise muss geprüft werden, dass sich vor der Mar- kise so viel Freiraum befindet, dass sie ganz geöffnet werden kann.
- Im Falle einer Installation im Außenbereich muss dem Antrieb ein geeigneter Schutz vor Witterungseinflüssen gewährleistet werden.

3.2 - Zusammenbau und Installation des Rohrmotors

Achtung! - Vor dem Zusammenbau und der Installation des Rohrmotors sorg- fältig die Hinweise des Abschnitts 1.2 lesen. Eine unkorrekte Installation kann schwere Verletzungen verursachen.

Für den Zusammenbau und die Installation des Rohrmotors beziehen Sie sich bitte auf **Abb. 3**. Den Katalog der Nice-Produkte nachschlagen oder den Site www.nice- foryou.com einsehen, um den Kranz des Endanschlags (**Abb. 3-a**), das Mitnehmer- rad (**Abb. 3-b**) und den Befestigungsbügel (**Abb. 3-f**) des Motors zu wählen.

• Die Druckknopftafel zur Bedienung an die Wand befestigen

Bei der Befestigung der Druckknopftafel an die Wand sind folgende Anweisungen zu beachten:

- Eine Druckknopftafel mit 2 Druckknöpfen wählen (*Anheben* und *Senken*).
- Es wird empfohlen, eine Druckknopftafel zu verwenden, die mit „Todmannfunktion“ funktioniert, d.h. dass der Druckknopf über die gewünschte Bewegungszeit gedrückt werden muss.
- Den Schalter so anbringen, dass er von der Markise aus gesehen werden kann, aber fern von seinen Bewegungsteilen ist.
- Die Druckknopftafel neben der Markise anbringen, wo sich die Stromkabel des Rohrmotors und das Versorgungskabel aus dem Stromnetz befinden.
- Die Druckknopftafel in über 1,5 m Höhe vom Fußboden anbringen.

4 ELEKTRISCHE ANSCHLÜSSE

Achtung!

- Ein falscher Anschluss kann Störungen oder gefährliche Situationen hervorrufen.
- Daher die im vorliegenden Handbuch angegebenen Anschlüsse genauestens ausführen.
- Im Speisungsnetz des Produkts muss eine Netztrennungsvorrichtung installiert werden, die eine Öffnungsdistanz der Kontakte aufweist, die eine vollständige Abtrennung unter den Bedingungen der Überspannungskategorie II gemäß den Installationsregeln ermöglicht (die Abtrennungsvorrichtung wird nicht mit dem Produkt geliefert).

Stromanschlüsse (siehe Schaltplan **Abb. 4**). Es ist möglich, mehrere Antriebe mit einer einzigen Druckknopftafel zu steuern, indem die Antriebe „parallel“ angeschlossen werden. Das Kabel für die elektrischen Anschlüsse des Rohrmotors hat 4 Leiter:

- **Braun:** = elektrische Anstiegs-/Senkphase.
- **Schwarz:** = elektrische Senk-/Anstiegsphase.
- **Blau:** = Gemeinsam (normalerweise am Nullleiter angeschlossen).
- **Gelb-grün:** = Erde (äquipotentialer Schutzanschluss – nicht im Motor E Star ST existieren).

Achtung! – Die max. Kabellänge für den Anschluss einer Wand-Bedientafel oder einer Relais-Steuerung beträgt 100 m.

• Verbindung der Anstiegs- und Senkbewegungen an die jeweiligen Tasten

Nach Fertigstellung der Anschlüsse einige Bewegungen ausführen(*), um zu prüfen, ob die Anhebe- und Senkbewegungen korrekt mit den jeweiligen Steuerdruckknöpfen verbunden sind. Wenn es nicht so ist, die Verbindung zwischen **Braun** und **Schwarz** umkehren.

(* – Während der Ausführung der Bewegung sicherstellen, dass die Markise 2 kurze Bewegungen ausführt (= korrekt angeschlossene Automatisierung). Die Richtung, in die der Motor dreht, ist nicht wichtig.

5 PROGRAMMIERUNG

5.1 - Hinweise zur Programmierung

• Im Allgemeinen

- Die in den Verfahren angegebenen Zeitlimits einhalten.
- Die Positionen **0**, **1**, **2**, **S** der Markise, die im Text genannt werden, entsprechen den in **Abb. 6** aufgeführten.
- Während der Installation – und Einstellarbeiten, wenn die elektrischen Anschlüsse noch nicht endgültig ausgeführt sind, kann der Rohrmotor mit einer entsprechenden Einheit TTU von Nice gesteuert werden (**Abb. 7**).

• Anzeigen durch den Motor

- Der Motor führt eine kurze Unterbrechung am Beginn der Bewegung aus und nimmt dann die Bewegung wieder auf** = es wird nur 1 Endschalter gespeichert.
- Der Motor führt am Anfang der Bewegung 2 sehr kurze Unterbrechungen aus und setzt dann die Bewegung fort** = kein Endschalter gespeichert.
- Die Steuertaste bleibt gedrückt (Betriebsmodus „Todmann“), die Bewegung startet und unterbricht sich gleich danach und wird nicht beendet** = mit dem vollständigen Löschen und daraufhin mit der Programmierung der Endschalter fortschreiten.

5.2 - Programmierung der Endschalter

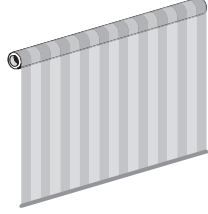
Die Endschalter „0“ und „1“ (**Abb. 6**) sind die Grundpositionen, die die Markise am Ende der Aufwärtsbewegung („0“) oder der Abwärtsbewegung („1“) einnimmt. Um das Verfahren zu wählen, das den Eigenschaften der Anlage bestens entspricht, die **Abb. 5** nachsehen.

• Anmerkungen über die Funktion „RDC“

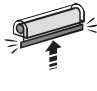
Die Funktion **RDC** ermöglicht zu vermeiden, dass der Stoff am Ende der Schließbewegung zu stark gespannt wird. Die Funktion reduziert automatisch das Drehmoment des Motors während des Abschlusses der Schließbewegung (zur Eingabe des gewünschten Drehmomentwerts, siehe Abschnitt 5.5).

Diese Funktion ist werkseitig aktiviert worden, sie ist jedoch nicht anwendbar, wenn die Endschalter mit dem manuellen Verfahren programmiert werden (Abschnitt 5.3). Sie kann nur während der halbautomatischen Programmierung der Endschalter deaktiviert werden (siehe Abschnitt 5.4).

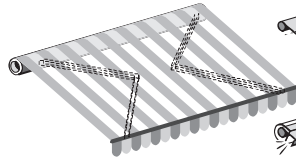
5




Manuelle Vorgehensweise
abschnitt 5.3



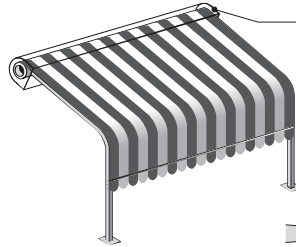
Halbautomatische Vorgehensweise
abschnitt 5.4



Manuelle Vorgehensweise
abschnitt 5.3



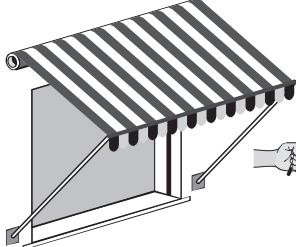
Halbautomatische Vorgehensweise
abschnitt 5.4



Halbautomatische Vorgehensweise
abschnitt 5.4

option „FTC“ (abschnitt 5.7)

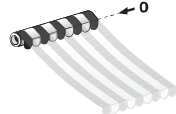
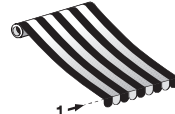
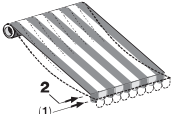
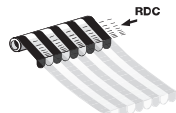
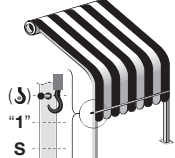
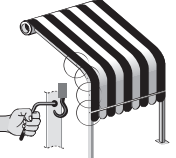
option „FTA“ (abschnitt 5.8)



Manuelle Vorgehensweise
abschnitt 5.3

option „FTA“ (abschnitt 5.8)

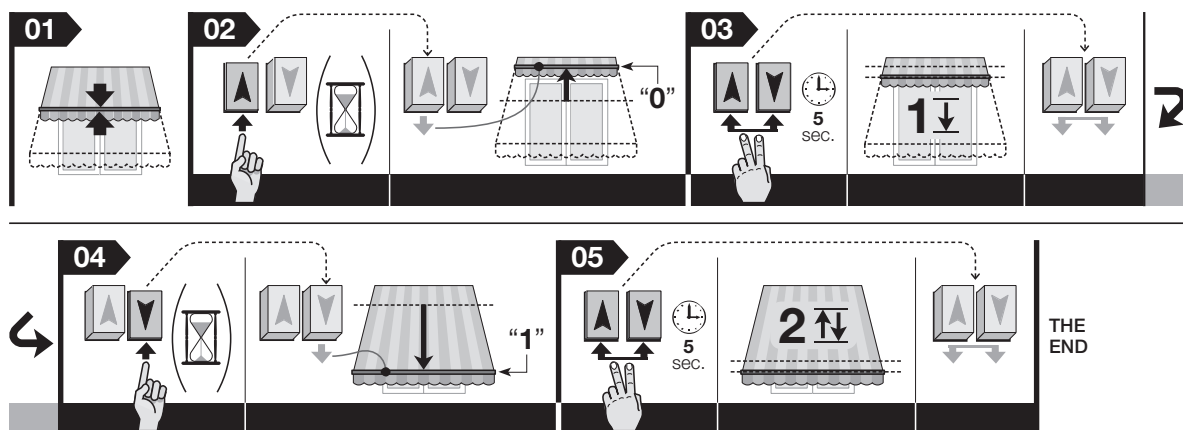
6

<p>position „0“</p> 	<p>position „1“</p> 	<p>position „2“ Spannen des Tuchs (funktion „FRT“)</p> 
<p>Leistungsreduzierung während der Schließ- bewegung (funktion „RDC“)</p> 	<p>position „S“ Automatische Einha- kung (funktion „FTC“)</p> 	<p>Manuelle Einhakung (funktion „FTA“)</p> 

5.3 - MANUELLE Programmierung der Endschalter "0" und "1"

Achtung! • Diese Programmierung ist für Markisen ohne Kasten bestimmt. • Es ist möglich, je nach Ihrem Bedarf, am Anfang entweder den Endschalter oben (0) oder den Endschalter unten (1) zu speichern. • Die Funktion RDC ist nicht aktivierbar.

01. Die Taste **Anstieg** oder **Abstieg** gedrückt halten, um die Markise bis zur Hälfte ihres Laufs zu verschieben. **Hinweis** - Während der Bewegung zeigen 2 kurze Unterbrechungen an, dass kein Endschalter gespeichert wurde.
02. Die Taste **Anstieg** gedrückt halten, bis die Markise in der gewünschten Endlaufstellung stoppt; dann die Taste loslassen.
03. Die beiden Tasten **Anstieg** und **Senken** gleichzeitig gedrückt halten und loslassen, nachdem die Markise eine kurze Senkbewegung ausgeführt hat.
04. Die Taste **Senken** gedrückt halten, bis die Markise in die gewünschte Endschalterposition gebracht wird; dann die Taste loslassen. **Hinweis** - Während der Bewegung zeigt 1 kurze Unterbrechung an, dass kein Endschalter gespeichert wurde.
05. Die beiden Tasten **Anstieg** und **Senken** gleichzeitig gedrückt halten und loslassen, nachdem die Markise eine kurze Senk- und Anstiegsbewegung ausgeführt hat.

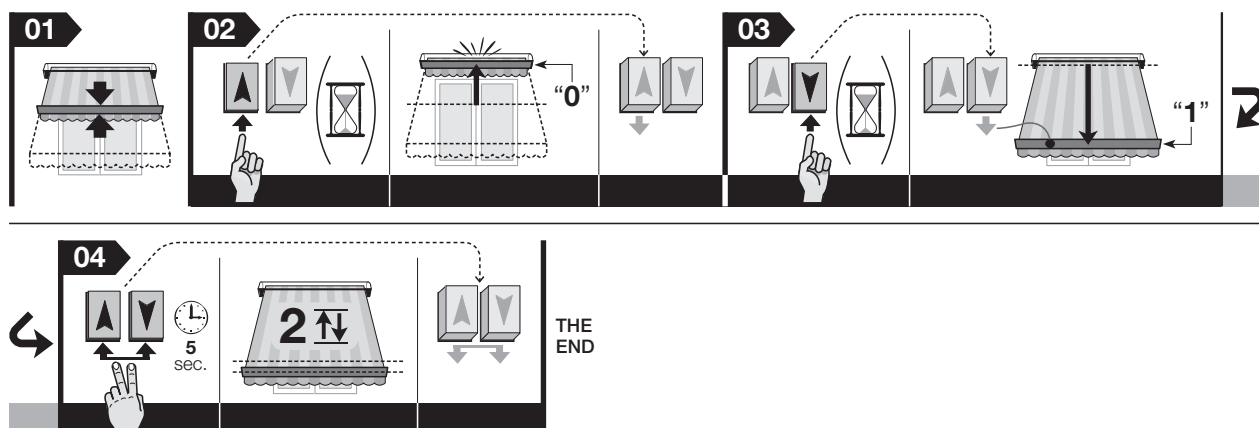


5.4 - HALBAUTOMATISCHE Programmierung der Endschalter "0" und "1"

Achtung! • Diese Programmierung ist für Markisen mit Kasten bestimmt. • Zuerst die Position "0" und die dann die Position "1" programmieren.

• (Hält die Funktion „RDC“)

01. Die Taste **Anstieg** oder **Abstieg** gedrückt halten, um die Markise bis zur Hälfte ihres Laufs zu verschieben. **Hinweis** - Während der Bewegung zeigen 2 kurze Unterbrechungen an, dass kein Endschalter gespeichert wurde.
02. Die Taste **Anstieg** gedrückt halten, bis die Markise aufgrund des Aufpralls am Endschalter "0" stoppt; dann die Taste loslassen.
03. Die Taste **Senken** gedrückt halten, bis die Markise in die gewünschte Endschalterposition gebracht wird ("1"); dann die Taste loslassen.
04. Die beiden Tasten **Anstieg** und **Senken** gleichzeitig gedrückt halten und loslassen, nachdem die Markise eine kurze Senk- und Anstiegsbewegung ausgeführt hat.

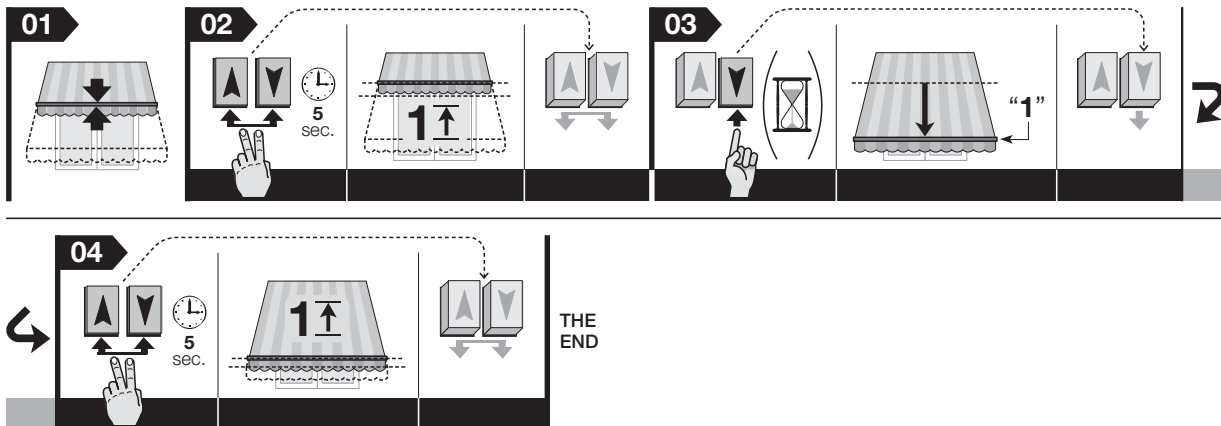


• (Deaktiviert gleichzeitig auch die Funktion „RDC“)

01. Die Taste **Anstieg** oder **Abstieg** gedrückt halten, um die Markise bis zur Hälfte ihres Laufs zu verschieben. **Hinweis** - Während der Bewegung zeigen 2 kurze Unterbrechungen an, dass kein Endschalter gespeichert wurde.
02. Die Taste **Anheben** gedrückt halten, bis die Jalousie aufgrund des Aufpralls am Endschalter "0" stoppt (die Taste nicht freigeben!).
03. Mit der noch gedrückten Taste **Anheben** auch die Taste **Senken** gedrückt halten, bis die Markise eine kurze Senkbewegung ausführt; danach beide Tasten freigeben.
04. Die Taste **Senken** gedrückt halten, bis die Markise in die gewünschte Endschalterposition gebracht wird ("1"); dann die Taste loslassen.
05. Die beiden Tasten **Anstieg** und **Senken** gleichzeitig gedrückt halten und loslassen, nachdem die Markise eine kurze Senk- und Anstiegsbewegung ausgeführt hat.

• **Um die Funktion „FRT“ zu deaktivieren**

01. Die Taste **Anstieg** oder **Abstieg** gedrückt halten, um die Markise bis zur Hälfte ihres Laufs zu verschieben.
 02. Die beiden Tasten **Anstieg** und **Senken** gleichzeitig gedrückt halten, bis die Markise eine kurze Anstiegsbewegung ausgeführt hat; dann die Tasten freigeben.
 03. Die Taste **Senken** gedrückt halten, bis die Markise an den Endschalter "1" gebracht wird und genau dann freigeben, wenn die Markise automatisch an diesem Endschalter stoppt.
 04. Die beiden Tasten **Anstieg** und **Senken** gleichzeitig gedrückt halten, bis die Markise eine kurze Anstiegsbewegung ausgeführt hat; dann die Tasten freigeben.
- Hinweis – Nachdem die Position "2" gelöscht wurde, bewegt sich die Markise zwischen den Positionen "0" und "1" des Endschalters.*



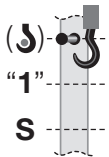
DE

5.7 - Markise mit AUTOMATISCHER Einhakung des Tuchs während der Öffnung: Funktion „FTC“

Diese Funktion ermöglicht uns, die Markise automatisch ein- und auszuspannen. Die „FTC“-Funktion kann nur aktiviert werden, wenn in der Markise **in nur einer Position** der automatische Ein- und Aushakmechanismus des Tuchs vorliegt, die in der Öffnungsposition der Markise angebracht ist. Der Antrieb ermöglicht die Speicherung nur einer Einhakposition.

Dieser Mechanismus verfügt gewöhnlich über einen Feststeller für das mechanische Einspannen der Markise und zwei weitere Stellen (nach dem Feststeller), die die Markise erreichen muss, damit das *Einspannen* (Position "1") und *Ausspannen* (Position "S") des Markisentuchs möglich ist.

Damit der Mechanismus korrekt funktioniert, müssen daher die beiden Positionen "1" und "S" wie folgend eingestellt und gespeichert werden.

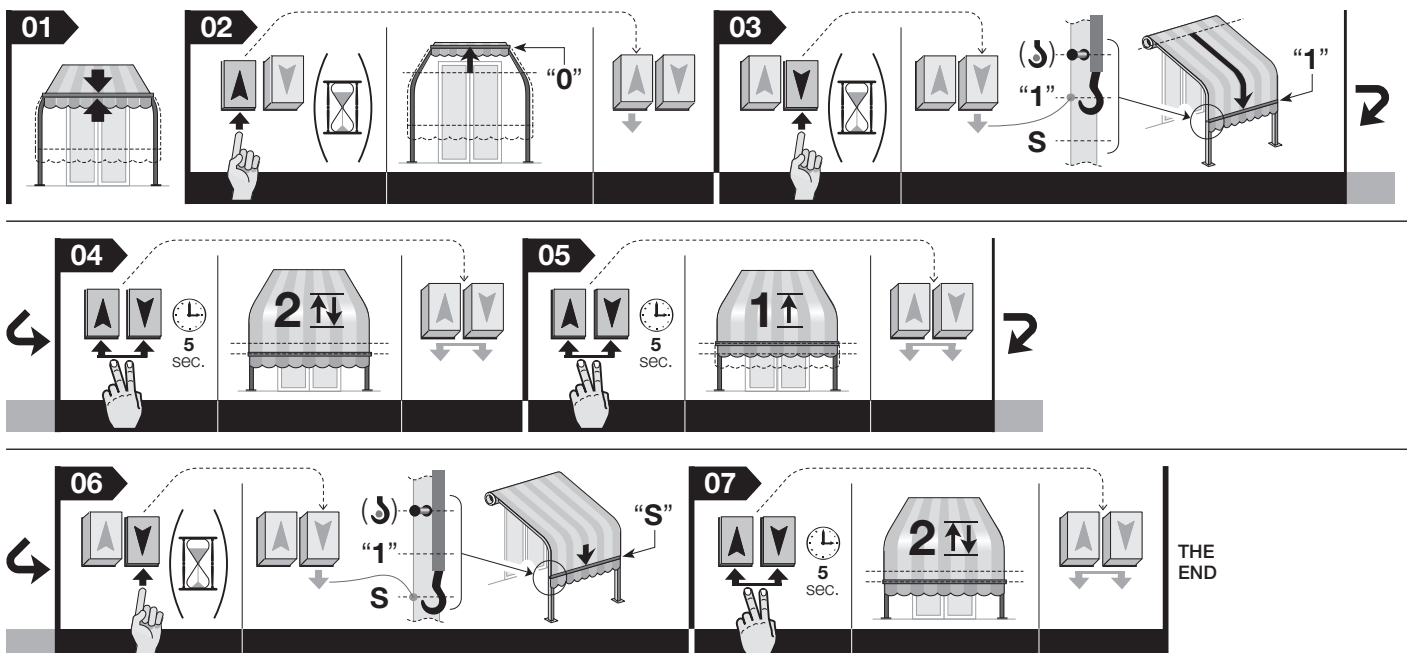


Achtung!

- Bevor die Funktion "FTC" programmiert wird, sicherstellen, dass die Endschalter "0" und "1" gespeichert wurden, eventuell mit dem Verfahren 5.9 löschen.
- Die Position "1" muss sich ein paar Zentimeter nach dem mechanischen Feststeller befinden. Dadurch wird das Markisentuch während der Öffnung zuerst die Position "1" erreichen, und sich dann am Feststeller während des Anstiegs einspannen.
- Die Position "S" muss sich ein paar Zentimeter nach dem mechanischen Feststeller befinden. Das ermöglicht dem Tuch während des Schließens zuerst die Position "S" zu erreichen, und sich dann automatisch von dem mechanischen Feststeller zu lösen und zum Schließendschalter "0" anzusteigen.

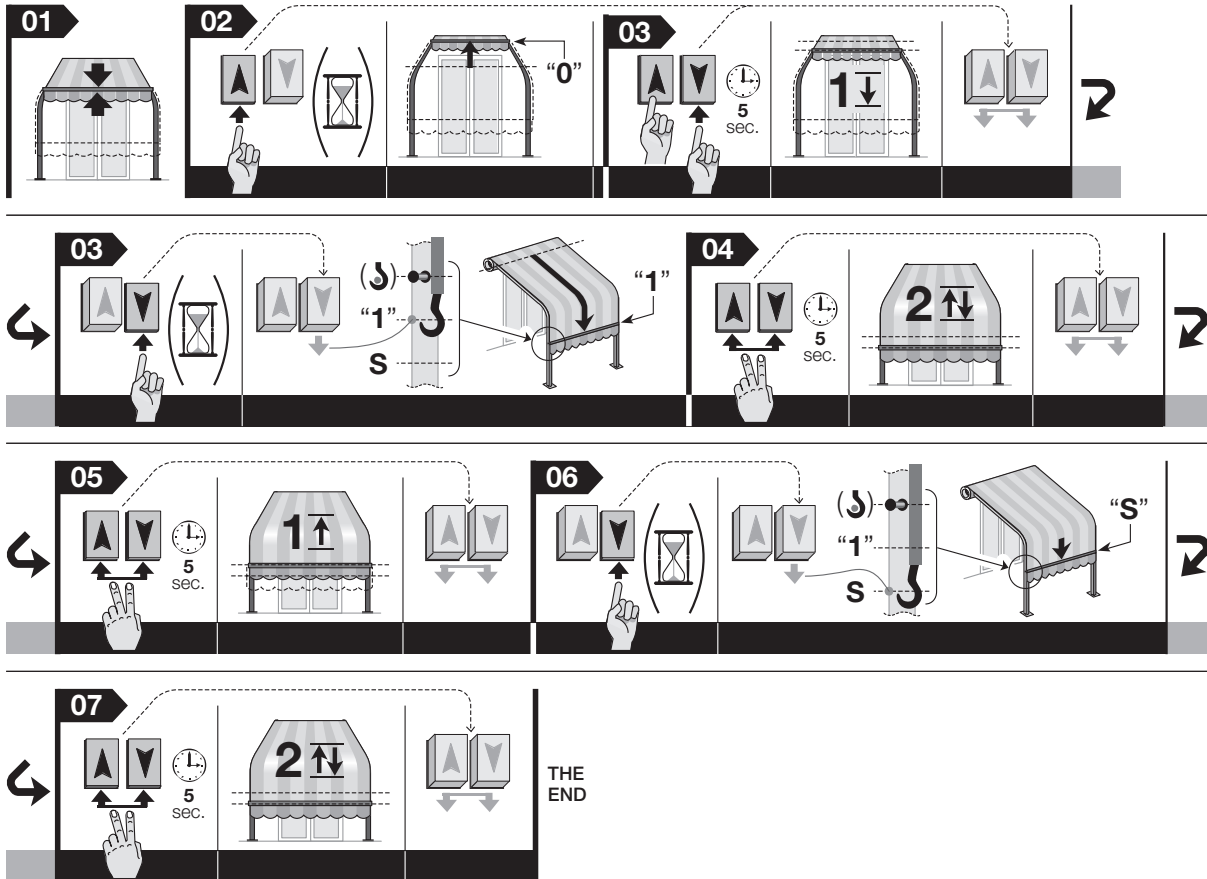
• **(Hält die Funktion „RDC“)**

01. Die Taste **Anstieg** oder **Abstieg** gedrückt halten, um die Markise bis zur Hälfte ihres Laufs zu verschieben.
02. Die Taste **Anheben** gedrückt halten, bis die Markise am Endschalter "0" stoppt; dann die Taste freigeben.
03. Die Taste **Senken** gedrückt halten, die Markise über den Einhakpunkt bringen und einige Zentimeter danach anhalten (wenn notwendig, die Position mit den beiden Tasten korrigieren).
04. Die beiden Tasten **Anstieg** und **Senken** gleichzeitig gedrückt halten und abwarten, dass die Markise zwei kurze Bewegungen ausführt: Eine Anstiegsbewegung (nach ein paar Sekunden) und eine Senkbewegung, bis sie erneut in der soeben programmierten Position stehen bleibt. Die Tasten am Ende freigeben.
05. Die beiden Tasten **Anstieg** und **Senken** gleichzeitig gedrückt halten, bis die Markise eine kurze Anstiegsbewegung ausgeführt hat. Die Tasten am Ende freigeben.
06. Nochmals die beiden Tasten **Anstieg** und **Senken** nützen, um die Markise in die Freigabeposition "S" zu bringen.
07. Die beiden Tasten **Anstieg** und **Senken** gleichzeitig gedrückt halten und abwarten, dass die Markise zwei kurze Bewegungen ausführt: Eine Anstiegsbewegung (nach ein paar Sekunden) und eine Senkbewegung, bis sie erneut in der soeben programmierten Position stehen bleibt. Die Tasten am Ende freigeben.

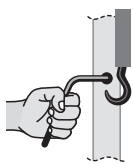


• (Deaktiviert gleichzeitig auch die Funktion „RDC“)

01. Die Taste **Anstieg** oder **Abstieg** gedrückt halten, um die Markise bis zur Hälfte ihres Laufs zu verschieben.
02. Die Taste **Anheben** gedrückt halten, bis die Markise am Endschalter "0" stoppt (die Taste nicht freigegeben!).
03. Mit der noch gedrückten Taste **Anheben** auch die Taste **Senken** gedrückt halten, bis die Markise eine kurze Senkbewegung ausführt; danach beide Tasten freigegeben.
04. Die beiden Tasten **Anstieg** und **Senken** gleichzeitig gedrückt halten und abwarten, dass die Markise zwei kurze Bewegungen ausführt: Eine Anstiegsbewegung (nach ein paar Sekunden) und eine Senkbewegung, bis sie erneut in der soeben programmierten Position stehen bleibt. Die Tasten am Ende freigegeben.
05. Die beiden Tasten **Anstieg** und **Senken** gleichzeitig gedrückt halten, bis die Markise eine kurze Anstiegsbewegung ausgeführt hat. Die Tasten am Ende freigegeben.
06. Nochmals die beiden Tasten **Anstieg** und **Senken** nützen, um die Markise in die Freigabeposition "S" zu bringen.
07. Die beiden Tasten **Anstieg** und **Senken** gleichzeitig gedrückt halten und abwarten, dass die Markise zwei kurze Bewegungen ausführt: Eine Anstiegsbewegung (nach ein paar Sekunden) und eine Senkbewegung, bis sie erneut in der soeben programmierten Position stehen bleibt. Die Tasten am Ende freigegeben.



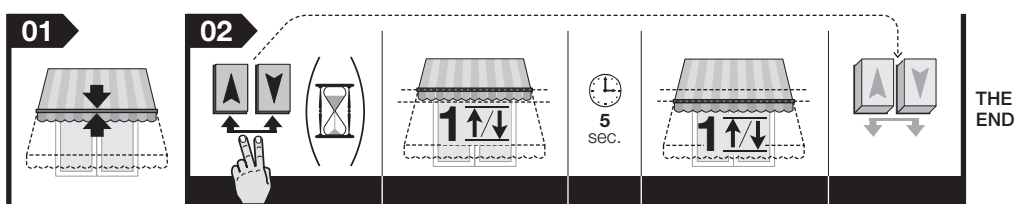
5.8 - Markise mit MANUELLER Einhakung des Tuchs während der Öffnung: Funktion „FTA“



Die Funktion ist ausschließlich für Markisen entwickelt worden, die einen manuellen Mechanismus haben, um das Tuch in der Öffnungsposition zu sperren (zum Beispiel der Mechanismus in Markisen mit geradem Arm, in Beschattungsmarkisen usw.) Wenn die Funktion aktiv ist, wird der Motor während der Schließbewegung automatisch gestoppt, sobald die Markise den Sperrmechanismus während ihres Laufs antrifft. Daraufhin wird zur Freigabe der Markise die Taste **Senken** gedrückt, und abgewartet, bis die Markise den Endschalter "1" erreicht; von Hand den Mechanismus lösen und die Markise mit der Taste **Anstieg** schließen.

Achtung! - Die Funktion "FTA" kann nur programmiert werden, nachdem die Maße des Endschalters "0" und "1" programmiert wurden. Mit aktiver Funktion "FTA" wirkt die Funktion "RDC" entlang des ganzen Laufs der Markise.

01. Die Taste **Anstieg** oder **Abstieg** gedrückt halten, um die Markise bis zur Hälfte ihres Laufs zu verschieben.
02. Die beiden Tasten **Anstieg** und **Senken** gleichzeitig gedrückt halten und abwarten, dass die Markise eine kurze Bewegung, eine Pause und eine zweite kurze Bewegung ausführt; am Ende die Tasten freigegeben.

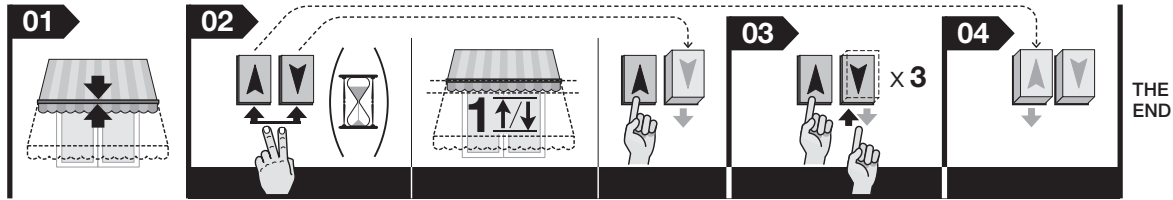


5.9 - Löschen des Speichers

Achtung! - Das vorliegende Verfahren löscht alle Daten aus dem Speicher der Steuerung, inklusive die Positionen "0" und "1".

01. Die Taste **Anstieg** oder **Abstieg** gedrückt halten, um die Markise bis zur Hälfte ihres Laufs zu verschieben.
02. Die beiden Tasten **Anstieg** und **Senken** gleichzeitig gedrückt halten und abwarten, dass die Markise eine kurze Bewegung ausführt; am Ende nur einen der beiden Tasten freigeben.
03. Binnen 3 Sekunden, nachdem die Markise eine kurze Bewegung ausgeführt hat, 3 Mal die Taste drücken, der zuvor freigegeben wurde (während Punkt 02).
04. Auch die andere Taste loslassen.

Hinweis – Wenn die Lösung korrekt erfolgte und ein Anstieg oder ein Senken gesteuert wurde, führt die Markise **2 kurze Bewegungen** aus (= kein programmierter Endschalter).



6 HINWEISE ZUM TÄGLICHEN GEBRAUCH DES AUTOMATISMUS

6.1 - Maximaler Dauerbetrieb

Obwohl die Rohrmotoren der Linie "Max" eine Dauerbetriebszeit von max. 4 Minuten garantieren, sind sie für den Einsatz an Wohngebäuden geplant und daher nicht für den Dauerbetrieb. Im Fall einer Überhitzung (z. B. aufgrund einer ständigen und längeren Betätigung) löst daher automatisch ein "Wärmeschutz" aus, der die Betriebsspannung unterbricht und wieder zuschaltet, sobald die Temperatur wieder normale Werte erreicht.

Was tun, wenn ... (Leitfaden zum Lösen von Problemen)

- ❑ **Der Motor bewegt sich nicht, obgleich eine elektrische Phase gespeist wird:**
Bei Ausschluss der Möglichkeit eines Eingriffs des Thermoschutzschalters (man müsste in diesem Fall nur abwarten, dass der Motor abkühlt), prüfen, ob der Netzstrom den in den technischen Merkmalen dieses Handbuchs aufgeführten Daten entspricht, indem die Energie zwischen "gemeinsamem" Leiter und dem der gespeisten Phase gemessen wird. Schließlich versuchen, die entgegen gesetzte elektrische Phase zu speisen.
- ❑ **Wenn eine Anstiegsteuerung gesendet wird, startet der Motor nicht:**
Wenn die Markise schon geschlossen oder fast geschlossen ist, führt der Motor keine Anstiegsbewegung aus. In diesem Fall muss die Markise kurz gesenkt und dann erneut angehoben werden.
- ❑ **Das System funktioniert im Notbetrieb (Todmannfunktion):**
 - Prüfen, ob der Motor durch Stromschläge oder starke mechanische Stöße beschädigt ist.
 - Prüfen, ob jedes Motorelement unbeschädigt ist.
 - Das Löschrverfahren (Abschnitt 5.9) ausführen und die Endschalter erneut programmieren.

Entsorgung des Produktes

Das vorliegende Produkt ist Teil der Automatisierung und muss daher zusammen mit derselben entsorgt werden.

Wie die Installationsarbeiten muss auch die Abrüstung am Ende der Lebensdauer dieses Produktes von Fachpersonal ausgeführt werden.

Dieses Produkt besteht aus verschiedenen Stoffen, von denen einige recycled werden können, andere müssen hingegen entsorgt werden. Informieren Sie sich über die Recycling- oder Entsorgungssysteme für dieses Produkt, die von den auf Ihrem Gebiet gültigen Verordnungen vorgesehen sind.

Achtung! - bestimmte Teile des Produktes können Schadstoffe oder gefährliche Substanzen enthalten, die, falls in die Umwelt gegeben, schädliche Wirkungen auf die Umwelt und die menschliche Gesundheit haben könnten.

Wie durch das Symbol seitlich angegeben, ist es verboten, dieses Produkt zum Haushaltsmüll zu geben. Daher differenziert nach den Methoden entsorgen, die von den auf Ihrem Gebiet gültigen Verordnungen vorgesehen sind, oder das Produkt dem Verkäufer beim Kauf eines neuen, gleichwertigen Produktes zurückgeben.



Achtung! - die örtlichen Verordnungen können schwere Strafen im Fall einer widerrechtlichen Entsorgung dieses Produktes vorsehen.

Technische Eigenschaften

Betriebsspannung: 230 Vac - 50 Hz

Aufgenommene Leistung in Standby: 0,5 W

Auflösung des Encoders: 2,7°

Dauerbetriebszeit: 4 min

Länge des Anschlusskabels: 2,5 m

Betriebstemperatur: -20°C

Schutzart IP: IP 44

Anmerkungen:

– Alle angegebenen technischen Merkmale beziehen sich auf eine Temperatur von 20°C (± 5°C).

– Nice S.p.a. behält sich das Recht vor, jederzeit als nötig betrachtete Änderungen am Produkt vorzunehmen, wobei Funktionalitäten und Einsatzzweck beibehalten werden.

EG-Konformitätserklärung

Nice S.p.a. erklärt, dass die Produkte: **E Star ST 324, E Star ST 524, E Star ST 611, E Star ST 1011, E Star ST 430, E Star MT 1030, E Star MT 817, E Star MT 1517, E Star MT 3017, E Star MT 4012, E Star MT 5012, E Star LT** den grundsätzlichen Anforderungen und den weiteren zugehörigen Anweisungen der Richtlinien **2006/95/EG, 2004/108/EG** entsprechen. Die EG-Konformitätserklärung kann in der Website www.nice-service.it eingesehen oder bei Nice S.p.A. angefordert werden.

Ing. Luigi Paro
(Geschäftsführer)

Skrócona instrukcja

Era Star T silnik rurowy przeznaczony do markiz słonecznych

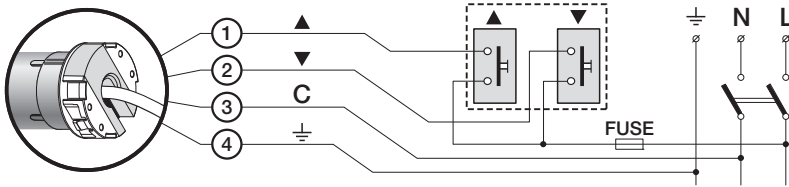
Uwaga dotycząca korzystania z instrukcji

- Numeracja rysunków zamieszczona w tej Skróconej Instrukcji jest autonomiczna i nie odpowiada ona numeracji podanej w treści kompletnej Instrukcji Obsługi.
- Ten podręcznik nie zastąpi pełnej instrukcji obsługi.

Nice

POLSKI

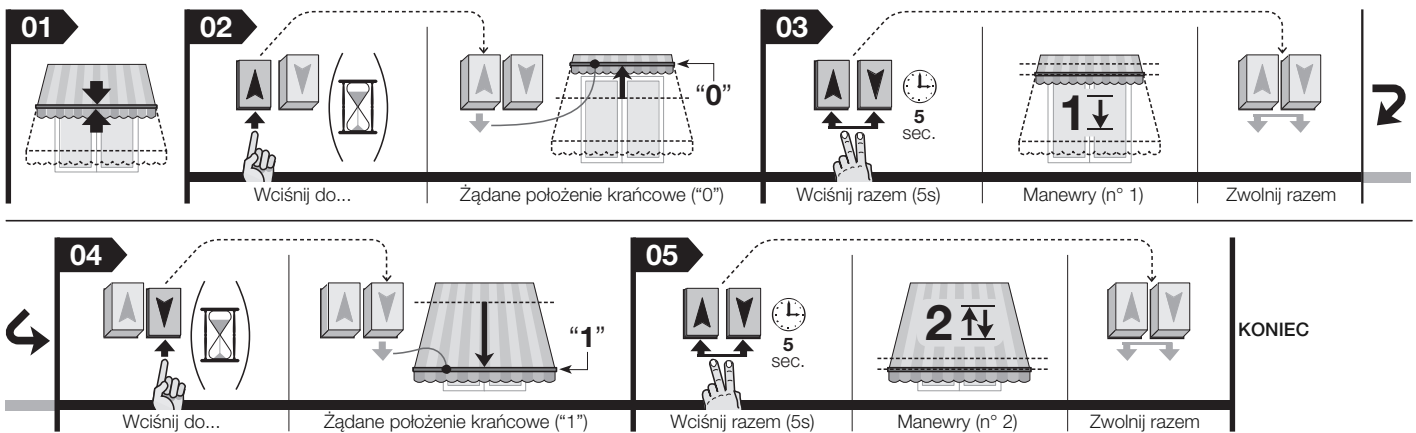
1 - Podłączenia elektryczne - odn. rozdziale 4



- 1 - Brązowy:** = Faza elektryczna podnoszenia/opuszczania.
- 2 - Czarny:** = Faza elektryczna opuszczania/podnoszenia.
- 3 - Niebieski:** = Wspólny (zwykle podłączony do neutralnego).
- 4 - Żółto-zielony:** = Uziemienie (ekwipotencjalne połączenie zabezpieczające – nie istnieje w E Star ST silnika).

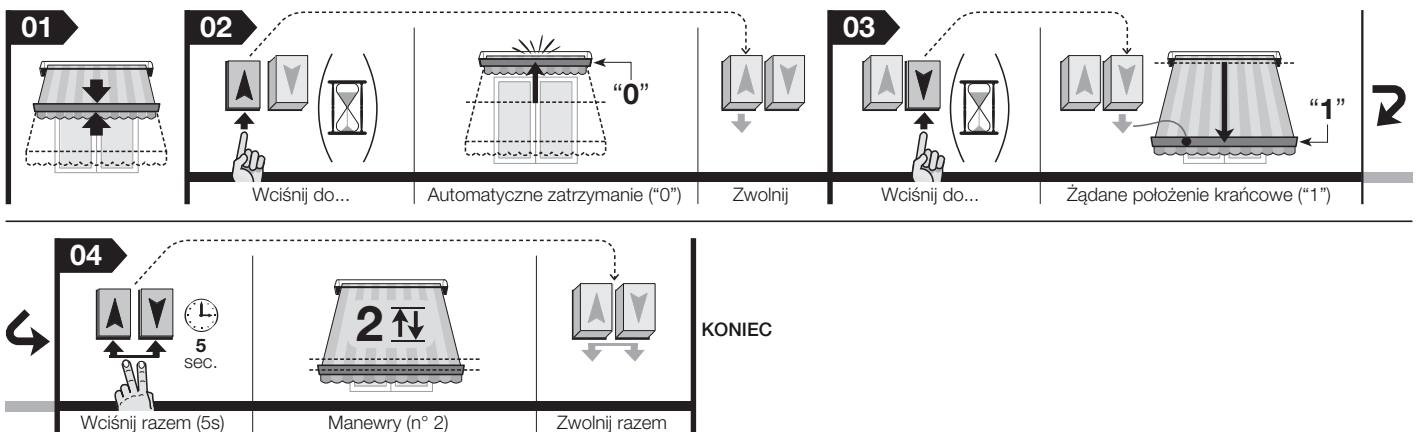
2 - Programowanie położenia krańcowych "0" i "1" w trybie RĘCZNYM - odn. paragraf 5.3

Jest możliwe wczytanie najpierw ogranicznika położenia górnego (0) lub ogranicznika położenia dolnego (1) bez różnicy, w zależności od własnych potrzeb.

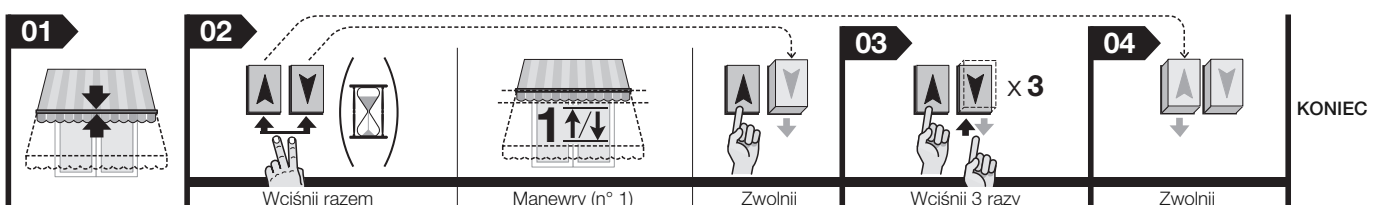


3 - Programowanie położenia krańcowych "0" i "1" w trybie PÓŁAUTOMATYCZNYM - odn. paragraf 5.4

(Zachowuje aktywną funkcję "RDC")



4 - Całkowite kasowanie pamięci - odn. paragraf 5.9



Kompletna instrukcja obsługi

Uwagi dotyczące korzystania z instrukcji – Rysunki zamieszczone w instrukcji znajdują się na końcu tej książeczki.

1 INSTRUKCJE I OGÓLNE ZALECENIA DOTYCZĄCE BEZPIECZEŃSTWA

1.1 - Zalecenia dotyczące bezpieczeństwa

- **UWAGA!** - Ważne instrukcje dotyczące bezpieczeństwa. Dla bezpieczeństwa osób ważne jest śledzenie tych instrukcji, ponieważ nieprawidłowy montaż urządzenia może powodować poważne obrażenia. Dlatego też przed rozpoczęciem pracy dokładnie przeczytaj tę instrukcję i w przypadku wątpliwości zwróć się o wyjaśnienia do Serwisu Technicznego Nice.
- **UWAGA!** - Przechowuj tę instrukcję obsługi w celu ułatwienia ewentualnych przyszłych operacji konserwacji i utylizacji urządzenia.
- **UWAGA!** - Wszelkie operacje montażowe, podłączania, programowania i konserwacji urządzenia muszą być wykonywane wyłącznie przez wykwalifikowanego i kompetentnego personelu technicznego, stosownie do zaleceń, przepisów obowiązujących na danym terytorium oraz instrukcji zawartych w tej instrukcji obsługi.

1.2 - Zalecenia dotyczące montażu

- Przed rozpoczęciem montażu sprawdź czy urządzenie jest odpowiednie dla zautomatyzowania Twojej markizy słonecznej (przeczytaj paragraf 3.1).
- Wszelkie operacje montażowe i konserwacja urządzenia muszą być wykonywane po odłączeniu automatyki od zasilania elektrycznego. Dla bezpieczeństwa należy przed rozpoczęciem pracy zawiesić na urządzeniu wyłączającą tablicę z napisem "UWAGA! KONSERWACJA W TOKU".
- Przed rozpoczęciem czynności montażowych poluzuj wszystkie przewody elektryczne niepotrzebne dla instalacji. Ponadto wyłącz również wszystkie mechanizmy, które nie są potrzebne do zautomatyzowanego funkcjonowania markizy.
- Jeśli urządzenie zostało zamontowane na wysokości poniżej 2,5 m od podłogi lub od innej powierzchni oparcia, konieczne jest zabezpieczenie ruchomych części automatyki, aby utrudnić przypadkowy dostęp do nich. W tym celu odwołaj się do instrukcji obsługi markizy, gwarantując w każdym przypadku dostęp do nich podczas wykonywania czynności konserwacyjnych.
- Delikatnie obchodź się z urządzeniem podczas jego montażu: chroń przed zgnieceniem, uderzeniem, upadkiem lub kontaktem z jakiegokolwiek rodzaju płynami; nie wierć otworów i nie wkręcaj śrub wewnątrz silnika; nie umieszczaj urządzenia w pobliżu źródeł ciepła i nie wystawiaj go na działanie otwartego ognia (rys. 1). Opisane wyżej sytuacje mogą powodować uszkodzenie urządzenia, być przyczyną nieprawidłowego funkcjonowania lub spowodować zagrożenia. Jeśli jednak doszłoby do któregoś z opisanych wyżej sytuacji, natychmiast przerwij montaż i zwróć się o pomoc do Serwisu Technicznego Nice.
- Podczas montażu nie wolno umieszczać śrub wzdłuż całej długości rury, w której znajduje się silnik rurowy. Mogą one powodować uszkodzenie silnika.
- Nie demontuj urządzenia wykonując operacje nieprzewidziane w tej instrukcji obsługi.
- Nie modyfikuj żadnej części urządzenia wykonując operacje odmienne od tych, które zostały opisane w tej instrukcji. Operacje niedozwolone mogą wyłącznie powodować nieprawidłowe funkcjonowanie urządzenia. Producent zrzeka się wszelkiej odpowiedzialności za szkody wynikające z używania urządzenia modyfikowanego samowolnie.
- Przewód zasilający urządzenie jest wykonany z PCV i jest przeznaczony wyłącznie do montażu wewnątrz budynków. Jeśli instalacja urządzenia jest wykonywana na zewnątrz, należy zabezpieczyć cały przewód rurą izolacyjną.
- Jeśli przewód zasilający jest uszkodzony, urządzenie nie może być używane, ponieważ przewód zasilający nie nadaje się do wymiany; w tym wypadku należy wymienić całe urządzenie. Skontaktuj się w tym celu z Serwisem Technicznym Nice.
- Podczas realizacji instalacji nie pozwalaj innym osobom zbliżać się do markizy w przypadku, kiedy znajduje się w ona ruchu.
- Opakowanie urządzenia musi być zlikwidowane zgodnie z odpowiednimi przepisami obowiązującymi na danym terytorium.

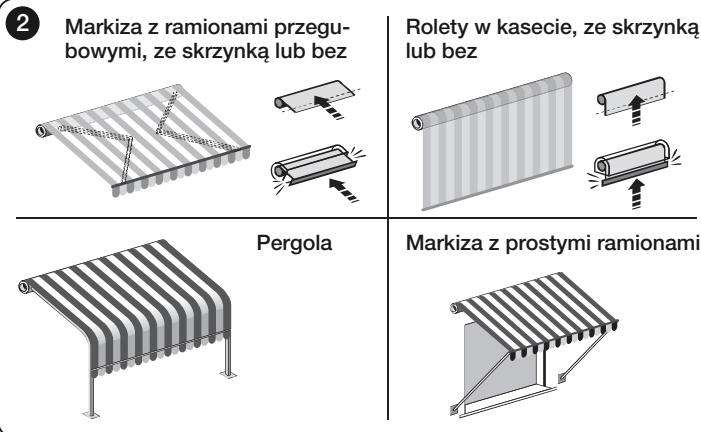
1.3 - Zalecenia dotyczące obsługi

- Urządzenie nie jest przeznaczone do używania przez osoby, (włącznie z dziećmi) o zredukowanych zdolnościach fizycznych, czuciowych i umysłowych, nieposiadających doświadczenia w obsłudze lub też znajomości urządzenia, chyba że mogły one skorzystać, poprzez pośrednictwo osoby odpowiedzialnej za ich bezpieczeństwo, z nadzoru lub instrukcji dotyczących obsługi urządzenia.
- Dzieci muszą znajdować się pod nadzorem, nie wolno im bawić się automatyką.
- Nie pozwalaj dzieciom bawić się stałymi urządzeniami sterującymi. Przechowuj przenośne urządzenia sterujące (zdalne) poza zasięgiem dzieci.
- Podczas wykonywania manewru sprawdź automatykę i nie pozwalaj innym osobom przebywać w jej pobliżu, aż do zakończenia manewru.
- Nie włączaj markizy podczas wykonywania operacji konserwacji (na przykład mycie przyległego okna). Jeżeli urządzenie sterujące jest urządzeniem automatycznym, odłącz markizę od zasilania elektrycznego.
- Pamiętaj o tym, aby często sprawdzać sprężyny wyrównowazające oraz zużycie przewodów (jeśli te mechanizmy występują w urządzeniu). Nie używaj automatyki, jeżeli wymaga ona wykonania regulacji lub naprawy; w tym celu zwróć się wyłącznie do wyspecjalizowanego personelu technicznego.

Era Star T jest silnikiem rurowym przeznaczonym wyłącznie do automatyzowania różnych rodzajów markiz słonecznych (patrz rys. 2). Każde inne zastosowanie jest zabronione! Producent nie odpowiada za szkody wynikające z niewłaściwego używania urządzenia, odmiennego od opisanego w tej instrukcji.

Parametry funkcjonalne urządzenia:

- jest zasilany z sieci elektrycznej (sprawdź dane podane na tabliczce silnika);
- jest montowane wewnątrz rurki, która otacza całą markizę; strona wystająca jest przymocowywana śrubami i/lub specjalnymi uchwytami Nice (nie znajdują się w opakowaniu);
- może powodować podnoszenie i opuszczanie markizy;
- uzupełnia centralę sterującą z technologią z enkoderem, która gwarantuje elektroniczne sterowanie manewrem oraz dokładność położenia końcowych;
- jest programowany z pomocą ścienną klawiatury sterującej (przyciski bez blokady) lub programatora TTU (te akcesoria nie znajdują się w opakowaniu);
- jest sterowany z pomocą ścienną klawiatury sterującej; zaleca się zastosowanie wyłącznika stabilnego lub niestabilnego z przyciskami z blokadą;
- jest wyposażone w bezpiecznik termiczny, który w przypadku przegrzania, spowodowanego przez nadmierne używanie automatyki powyżej ustalonej granicy, automatycznie przerywa zasilanie elektryczne i przywraca je natychmiast po powrocie temperatury do normalnych warunków.



3 MONTAŻ URZĄDZENIA

3.1 - Weryfikacje wstępne oraz ograniczenia zastosowania

Przed rozpoczęciem montażu przeprowadź następujące kontrole:

- Sprawdź integralność elementów urządzenia właśnie wyjętych z opakowania.
- Sprawdź przydatność wybranego silnika porównując jego nominalne parametry techniczne z parametrami Twojej markizy; w związku z tym **NIE montuj silnika, jeżeli jego parametry (nominalny moment obrotowy, prędkość obrotu i czas funkcjonowania) nie są odpowiednie do sterowania Twoją markizą. W szczególności moment obrotowy silnika NIE MOŻE PRZEKRACZAĆ wartości niezbędnej do jej sterowania.** Dodatkowe ograniczenia zastosowania są zamieszczone w rozdziale "Parametry techniczne".
- Sprawdź średnicę rury nawojowej. Rurę tę należy dobrać na podstawie momentu napędowego silnika, zgodnie z poniższymi zaleceniami:
 - dla silników o rozmiarze „S” ($\varnothing = 35$ mm), minimalna średnica wewnętrzna rury nawojowej powinna wynosić 40 mm;
 - dla silników o rozmiarze „M” ($\varnothing = 45$ mm) i momencie obrotowym do 35 Nm (włącznie), minimalna średnica wewnętrzna rury nawojowej powinna wynosić 52 mm;
 - dla silników o rozmiarze „M” ($\varnothing = 45$ mm) i momencie obrotowym większym niż 35 Nm, minimalna średnica wewnętrzna rury nawojowej powinna wynosić 60 mm;
 - dla silników o rozmiarze „L” ($\varnothing = 58$ mm), minimalna średnica wewnętrzna rury nawojowej powinna wynosić 70 mm.
- Przed zautomatyzowaniem markizy słonecznej sprawdź czy przed nią znajduje się wolna przestrzeń, wystarczająca do jej przewidzianego całkowitego otwarcia.
- W przypadku montażu na zewnątrz zagwarantuj odpowiednie zabezpieczenie silnika przed czynnikami atmosferycznymi.

3.2 - Montaż silnika rurowego

Uwaga! - Przed przystąpieniem do montażu silnika rurowego dokładnie przeczytaj zalecenia zamieszczone w paragrafie 1.2. Nieprawidłowy montaż silnika może być przyczyną poważnych zagrożeń.

Aby zamontować i podłączyć silnik rurowy odwołaj się do rys. 3. Przejrzyj katalog produktów firmy Nice lub wejdź na stronę internetową www.niceforyou.com, aby wybrać adaptor dla ogranicznika położenia (rys. 3-a), koło napędowe (rys. 3-b) oraz uchwyt mocujący (rys. 3-f) silnika.

• Montaż ścienną klawiatury sterującej

Zamontuj na ścianie klawiaturę sterującą, pamiętając o następujących zaleceniach:

- wybierz klawiaturę na 2 przyciski (*Podnoszenie i Opuszczanie*).
- zaleca się zastosowanie klawiatury, która funkcjonuje w „trybie ręcznym”, to znaczy, w której należy **przytrzymać przycisk wciśnięty** przez cały czas trwania manewru.
- umieść ją w widocznym miejscu markizy, w bezpiecznej odległości od jej ruchomych części.
- umieść klawiaturę obok markizy, w miejscu, gdzie znajduje się przewód elektryczny, pochodzący z silnika rurowego oraz przewód zasilający pochodzący z sieci elektrycznej.
- umieść przełącznik na wysokości powyżej 1,5 m od podłoża.

4 PODŁĄCZENIA ELEKTRYCZNE

Uwaga!

- Nieprawidłowe podłączenie może powodować uszkodzenia lub sytuacje zagrożenia.
- Skrupulatnie przestrzegaj wskazanych w niniejszej instrukcji połączeń.
- Na linii zasilającej automatykę, prowadzącej z sieci elektrycznej, przygotuj urządzenie, które umożliwi odległość pomiędzy stykami, gwarantującą całkowite rozłączenie w warunkach III kategorii przepięcia, zgodnie z zaleceniami dotyczącymi montażu (urządzenie rozłączające nie jest dostarczone wraz z automatyką).

Podczas wykonywania podłączeń elektrycznych odwołaj się do schematu elektrycznego przedstawionego na **rys. 4**. Jest możliwe sterowanie kilkoma silnikami z zastosowanie jednej klawiatury sterującej, łącząc je “równolegle”. Wewnątrz przewodu umożliwiającego wykonanie podłączeń elektrycznych silnika rurowego znajdują się 4 żyły:

- **Kolor brązowy:** = Faza elektryczna podnoszenia/opuszczania.
- **Kolor Czarny:** = Faza elektryczna opuszczania/podnoszenia.
- **Kolor niebieski:** = Wspólny (zwykle podłączony do neutralnego).
- **Kolor żółto-zielony:** = Uziemienie (ekwipotencjalne połączenie zabezpieczające – nie istnieje w E Star ST silnika).

Uwaga! – Maksymalna długość kabli do połączenia panelu sterującego naściennego do sterowania, z przekazywaniem 100 m.

• Połączenie manewrów **Podnoszenia i Opuszczania z odpowiednimi przyciskami**

Po wykonaniu połączeń wysteruj dowolny manewr(*), aby sprawdzić czy manewry podnoszenia i opuszczania są prawidłowo połączone z odpowiednimi przyciskami sterującymi. Jeżeli tak nie jest zamień połączenia występujące pomiędzy **Brązowym i Czarnym** przewodem.

(*) – Podczas wykonywania manewru upewnij się, że markiza wykona 2 krótkie ruchy (= automatyka podłączona prawidłowo). Nie jest ważny kierunek, w którym obraca się silnik.

5 PROGRAMOWANIE

5.1 - Zalecenia dotyczące programowania

• Ogólnie

- **Ścisłe przestrzegaj ograniczeń czasowych wskazanych w procedurach.**
- Zacytowane w instrukcji położenia **0**, **1**, **2**, **S** markizy odpowiadają położeniom przedstawionym na **rys. 6**.
- podczas wykonywania operacji montażowych i regulacji, jeżeli nie zostały jeszcze wykonane końcowe połączenia elektryczne jest możliwe sterowanie silnika rurowego z pomocą specjalnego urządzenia “TTU” Nice (**rys. 7**).

• Sygnalizacje wykonywane przez silnik

- Silnik wykona 1 krótką przerwę na początku manewru i następnie wznawia ruch** = zostało wczytane tylko 1 położenie krańcowe.
- Silnik wykona 2 krótkie przerwy na początku manewru i następnie wznawia ruch** = nie zostało wczytane żadne położenie krańcowe.
- Przytrzymując wciśnięty przycisk sterujący (tryb ręczny) rozpoczyna się ruch, który niedługo potem zostanie przerwany, bez zakończenia manewru** = przystęp do całkowitego skasowania i następnie zaprogramowania ograniczników położenia.

5.2 - Programowanie położenia krańcowych

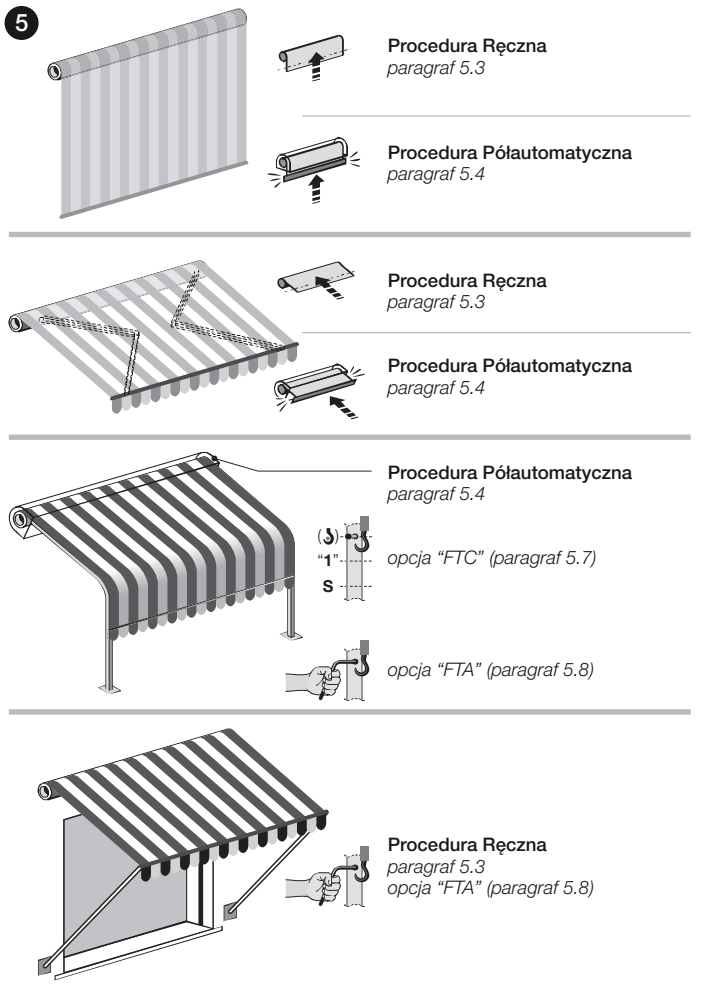
Położenia krańcowe “0” i “1” (**rys. 6**) są położeniami podstawowymi, które markiza przyjmuje pod koniec ruchu Podnoszenia (“0”) oraz pod koniec ruchu Opuszczania (“1”).

Aby wybrać procedurę najbardziej odpowiednią dla parametrów danej instalacji obejrzyj **rys. 5**.

• Uwaga dotycząca funkcji “RDC”

Funkcja **RDC** umożliwia zapobieganie nadmiernemu naciąganiu markizy po zakończeniu manewru zamykania. Ta funkcja automatycznie redukuje moment napędowy silnika podczas końcowej fazy manewru zamykania, (aby ustawić daną wartość momentu przeczytaj paragraf 5.5).

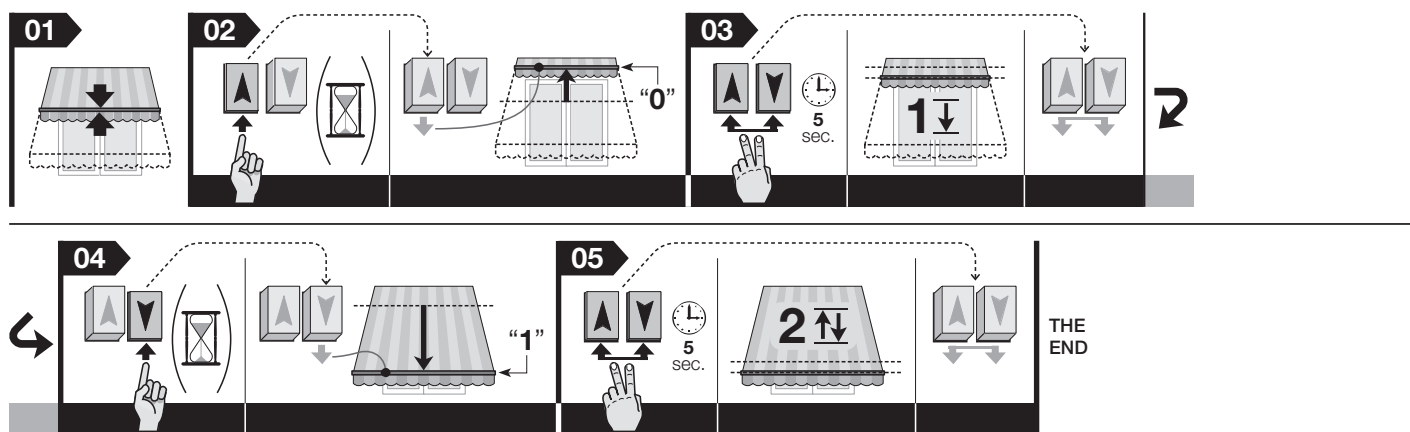
Ta funkcja jest uaktywniana fabrycznie, jednakże nie należy jej stosować, jeśli ograniczniki położenia zostaną zaprogramowane z zastosowaniem procedury w trybie ręcznym (paragraf 5.3). Może być dezaktywowana wyłącznie podczas programowania ograniczników położenia z zastosowaniem procedury półautomatycznej (paragraf 5.4).



5.3 - Programowanie położeń krańcowych "0" i "1" w trybie RĘCZNYM

Uwaga! • Ten tryb programowania jest zalecany dla markiz nieposiadających kasety. • Jest możliwe wczytanie najpierw ogranicznika położenia górnego (0) lub ogranicznika położenia dolnego (1) bez różnicy, w zależności od własnych potrzeb. • Funkcja RDC nie jest uaktywniana.

01. Wykorzystując przycisk **Podnoszenia** lub **Opuszczania** doprowadź markizę do połowy ruchu. **Uwaga** - 2 krótkie przerwy podczas ruchu sygnalizują, że nie zostało wczytane żadne położenie krańcowe.
02. Przytrzymaj wciśnięty przycisk **Podnoszenia**, aż do momentu, gdy roleta osiągnie żądane przez użytkownika położenie krańcowe; dopiero teraz zwolnij przycisk.
03. Przytrzymaj jednocześnie wciśnięte dwa przyciski **Podnoszenia** i **Opuszczania**. Zwolnij je dopiero wtedy, kiedy markiza wykona krótki ruch opuszczania.
04. Przytrzymaj wciśnięty przycisk **Opuszczania**, aż do momentu, gdy roleta osiągnie żądane położenie krańcowe; dopiero teraz zwolnij przycisk. **Uwaga** - 1 krótka przerwa podczas ruchu sygnalizuje, że zostało wczytane tylko jedno położenie krańcowe.
05. Przytrzymaj jednocześnie wciśnięte dwa przyciski **Podnoszenia** i **Opuszczania**. Zwolnij je dopiero wtedy, kiedy markiza wykona jeden krótki ruch podnoszenia i jeden ruch opuszczania.

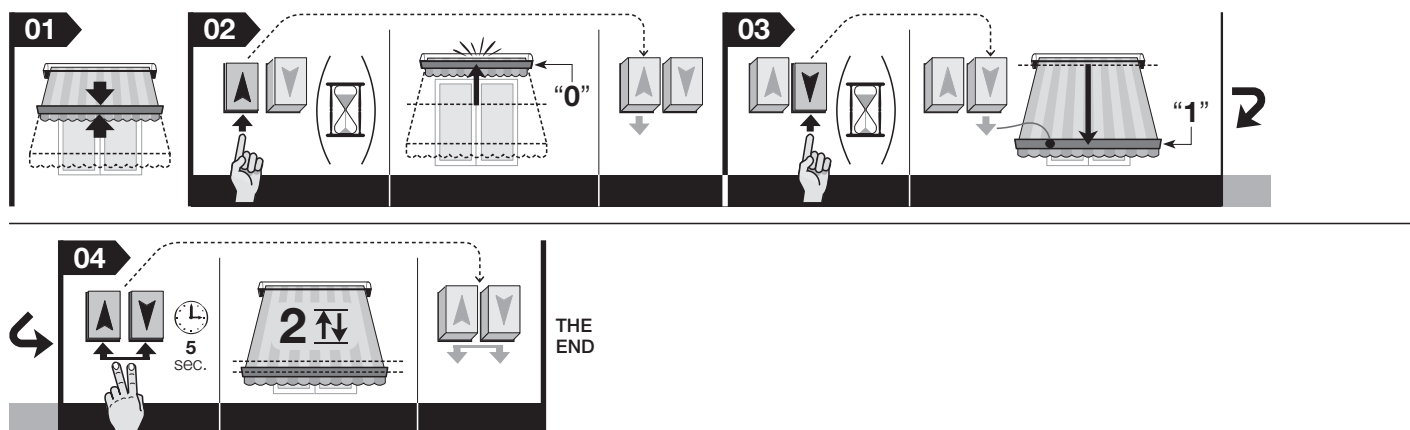


5.4 - Programowanie położeń krańcowych "0" i "1" w trybie PÓŁAUTOMATYCZNYM

Uwaga! • Ten tryb programowania jest zalecany dla markiz posiadających skrzynkę nadokienną. • Programowanie położenia "0" i następnie położenia "1".

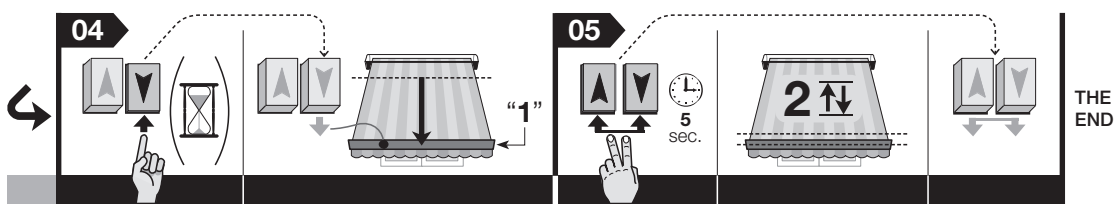
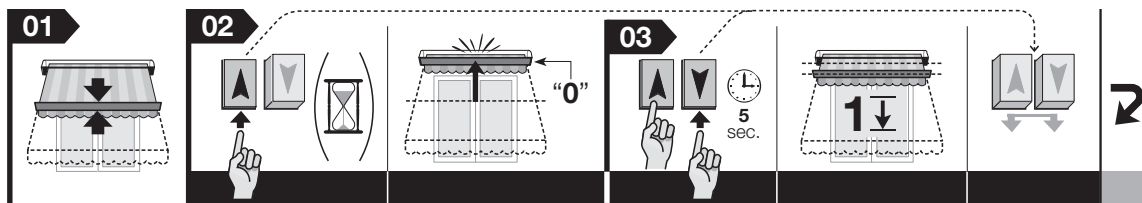
• **(Zachowuje aktywną funkcję "RDC")**

01. Wykorzystując przycisk **Podnoszenia** lub **Opuszczania** doprowadź markizę do połowy ruchu. **Uwaga** - 2 krótkie przerwy podczas ruchu sygnalizują, że nie zostało wczytane żadne położenie krańcowe.
02. Wciśnij i przytrzymaj przycisk **Podnoszenia**, aż do momentu, gdy roleta zatrzyma się w wyniku uderzenia w ogranicznik krańcowy "0"; dopiero teraz zwolnij przycisk.
03. Przytrzymaj wciśnięty przycisk **Opuszczania**, aż do momentu, gdy markiza osiągnie żądane położenie krańcowe ("1"); dopiero teraz zwolnij przycisk.
04. Przytrzymaj jednocześnie wciśnięte dwa przyciski **Podnoszenia** i **Opuszczania**. Zwolnij je dopiero wtedy, kiedy markiza wykona jeden krótki ruch podnoszenia i jeden ruch opuszczania.



• **(Jednocześnie dezaktywuje również funkcję "RDC")**

01. Wykorzystując przycisk **Podnoszenia** lub **Opuszczania** doprowadź markizę do połowy ruchu. **Uwaga** - 2 krótkie przerwy podczas ruchu sygnalizują, że nie zostało wczytane żadne położenie krańcowe.
02. Przytrzymaj wciśnięty przycisk **Podnoszenia** i odczekaj, aż do momentu, gdy markiza zatrzyma się w wyniku uderzenia w ogranicznik położenia "0" (nie zwalniasz przycisku!).
03. Podczas, kiedy przycisk **Podnoszenia** jest nadal wciśnięty, przytrzymaj wciśnięty również przycisk **Opuszczania** i odczekaj, aż do momentu, gdy markiza wykona krótki ruch opuszczania; po jego zakończeniu zwolnij oba przyciski.
04. Przytrzymaj wciśnięty przycisk **Opuszczania**, aż do momentu, gdy markiza osiągnie żądane położenie krańcowe ("1"); dopiero teraz zwolnij przycisk.
05. Przytrzymaj jednocześnie wciśnięte dwa przyciski **Podnoszenia** i **Opuszczania**. Zwolnij je dopiero wtedy, kiedy markiza wykona jeden krótki ruch podnoszenia i jeden ruch opuszczania.

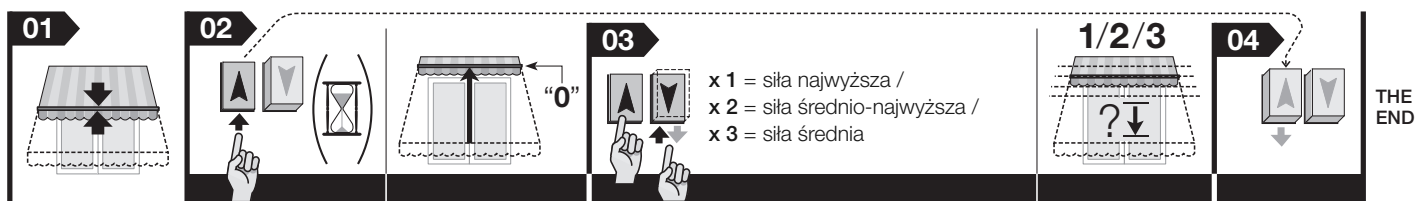


5.5 - Regulacja obciążenia podczas zamykania: funkcja "RDC"

Uwaga! - Personalizowanie poziomu "RDC" może być wykonywane wyłącznie po wcześniejszym zaprogramowaniu wartości położeń krańcowych "0" i "1".

- Wykorzystując przycisk **Podnoszenia** lub **Opuszczania** doprowadź markizę do połowy ruchu.
- Przytrzymaj wciśnięty przycisk **Podnoszenia**, aż do momentu, gdy markiza dotrze do położenia krańcowego "0" (nie zwalniasz przycisku).
- Teraz, przytrzymując nadal wciśnięty przycisk **Podnoszenia** wciśnij przycisk **Opuszczania** ilość razy odpowiadającą wybranemu poziomowi (każde wciśnięcie musi trwać 1 sekundę, a po nim następuje 1 sekundowa przerwa). Podczas, kiedy przycisk **Podnoszenia** pozostaje nadal wciśnięty odczekaj, aż markiza wykona określoną ilość impulsów (w kierunku opuszczania) odpowiadającą nowemu ustawionemu poziomowi. Są dostępne następujące poziomy: **poziom 1** = siła najwyższa (poziom ustawiony fabrycznie) / **poziom 2** = siła średnio-najwyższa / **poziom 3** = siła średnia

- Teraz zwolnij przycisk **Podnoszenia**.



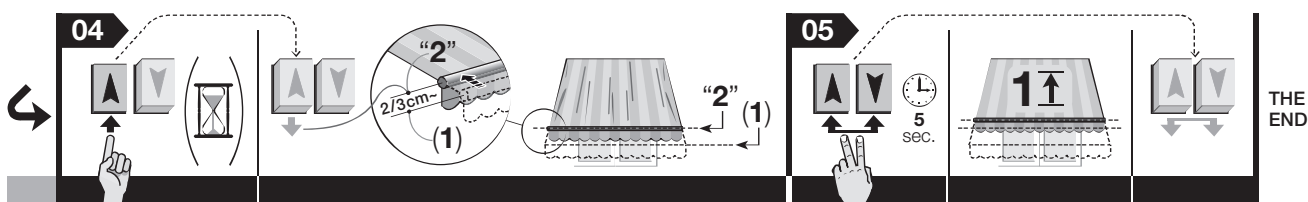
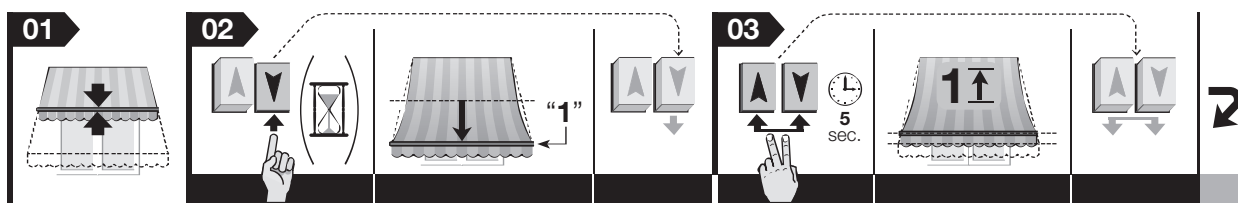
5.6 - Naprężanie płótna: funkcja "FRT" (pozycja "2")

Ta funkcja służy do naciągania płótna markizy podczas, kiedy jest otwarta. Uaktywnia się po zaprogramowaniu w ERA Star T pozycji "2". Podczas używania automatyki, kiedy markiza otwiera się, silnik doprowadza ją najpierw do pozycji "1" i następnie napręża płótno, automatycznie uruchamiając krótkie jej podnoszenie, aż do pozycji "2".

Uwaga! - Funkcja "FRT" może być programowana wyłącznie po wcześniejszym zaprogramowaniu wartości położeń krańcowych "0" i "1".

• Aby uaktywnić funkcję "FRT"

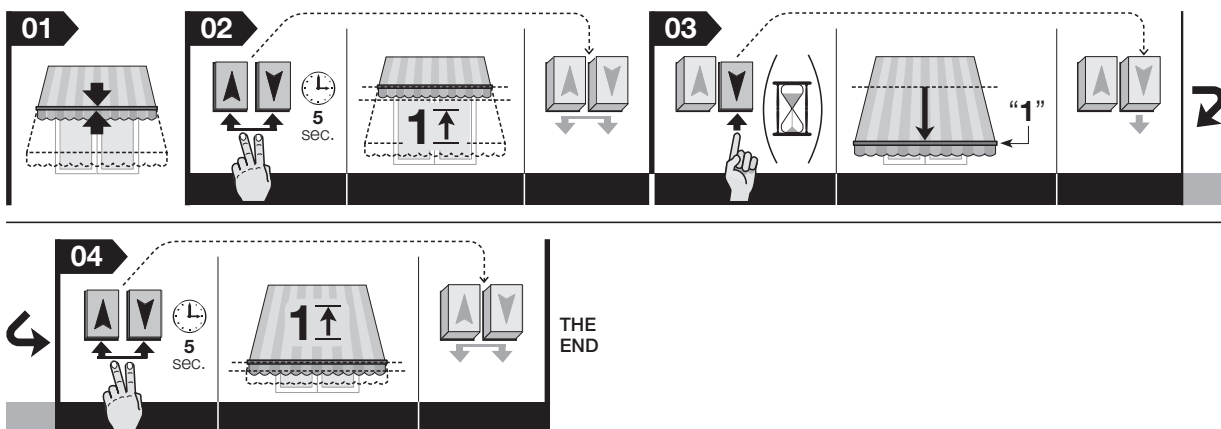
- Wykorzystując przycisk **Podnoszenia** lub **Opuszczania** doprowadź markizę do połowy ruchu.
- Wykorzystując przycisk **Opuszczania** doprowadź markizę do położenia "1".
- Przytrzymaj jednocześnie wciśnięte przyciski **Podnoszenia** i **Opuszczania**, dopóki markiza nie wykona jednego krótkiego ruchu podnoszenia; teraz zwolnij oba przyciski.
- Wykorzystaj przycisk **Podnoszenia**, aby podnieść markizę o kilka centymetrów, dopóki płótno nie zostanie mocno naprężone (będzie to pozycja "2").
- Przytrzymaj jednocześnie wciśnięte przyciski **Podnoszenia** i **Opuszczania**, dopóki markiza nie wykona jednego krótkiego ruchu podnoszenia; teraz zwolnij przyciski.



• **Aby dezaktywować funkcję "FRT"**

01. Wykorzystując przycisk **Podnoszenia** lub **Opuszczania** doprowadź markizę do połowy ruchu.
02. Przytrzymaj jednocześnie wciśnięte oba przyciski **Podnoszenia** i **Opuszczania**, dopóki markiza nie wykona jednego krótkiego ruchu podnoszenia; teraz zwolnij przyciski.
03. Przytrzymaj wciśnięty przycisk **Opuszczania**, aby doprowadzić markizę do położenia krańcowego "1" i następnie zwolnij dokładnie w momencie, kiedy markiza zatrzyma się automatycznie w tym położeniu.
04. Przytrzymaj jednocześnie wciśnięte przyciski **Podnoszenia** i **Opuszczania**, dopóki markiza nie wykona jednego krótkiego ruchu podnoszenia; teraz zwolnij oba przyciski.

Uwaga – Po skasowaniu pozycji "2" markiza przesuwa się pomiędzy "0" i "1" ogranicznika położenia.



5.7 - Markiza z zahaczaniem płótna w trybie AUTOMATYCZNYM podczas otwierania: funkcja „FTC”

Ta funkcja pozwala automatycznie zaczepić i odzepić markizę. Funkcja "FTC" może być uaktywniana wyłącznie, jeśli w markizie jest przewidziany, w tylko jednej pozycji, automatyczny mechanizm zahaczający/odhaczający płótno w pobliżu położenia otwarcia markizy. Silnik umożliwia wczytanie tylko jednej pozycji zahaczenia. Zwykle ten rodzaj mechanizmu posiada ogranicznik, umożliwiający mechaniczne zaczepienie markizy oraz dodatkowe dwa położenia (znajdujące się za ogranicznikiem położenia), do których markiza musi dotrzeć, aby umożliwić zaczepienie płótna (w pozycji "1") i jego odczepienie (w pozycji "S").

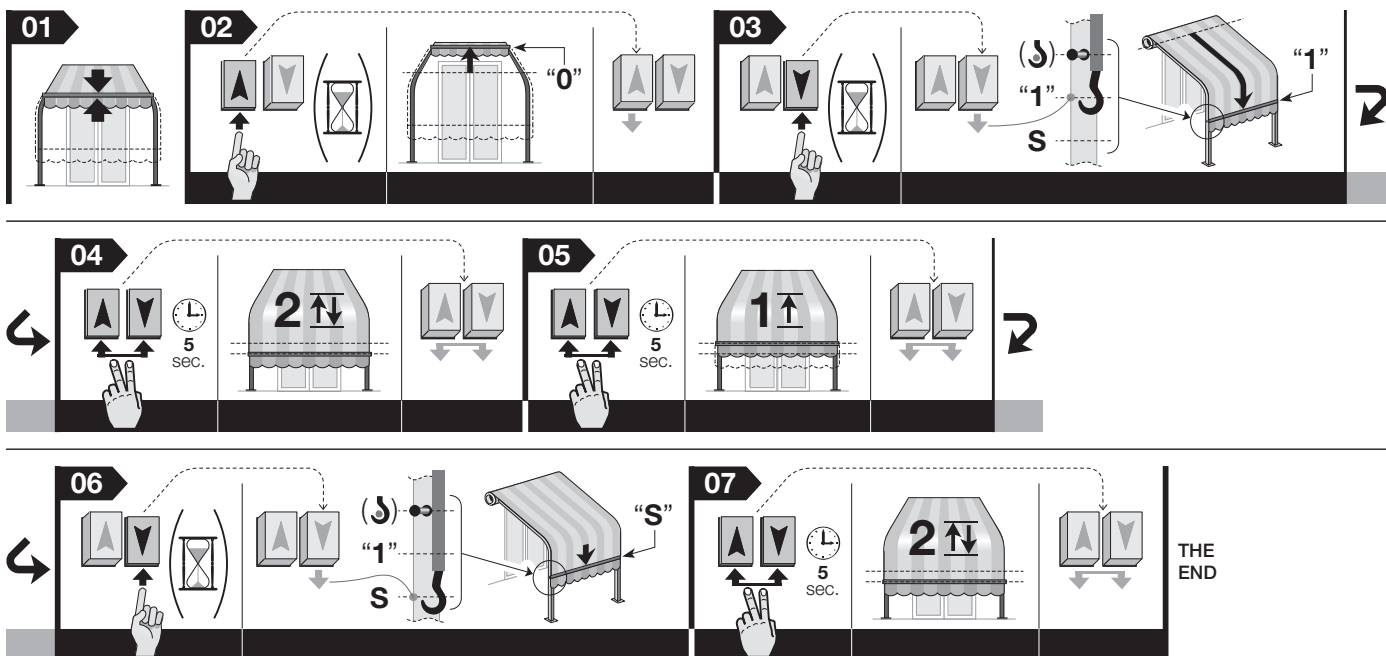
Teraz, aby umożliwić prawidłowe funkcjonowanie mechanizmu należy ustawić i zapamiętać dwie pozycje "1" i "S" w następujący sposób.

Uwaga!

- Przed zaprogramowaniem funkcji "FTC" upewnij się, że nie zostały wcześniej wczytane ograniczniki położenia "0" i "1"; ewentualnie skasuj je wykończając procedurę 5.9.
- Położenie "1" musi znajdować się kilka centymetrów za mechanicznym ogranicznikiem zaczepiającym. Podczas otwierania umożliwi to uzyskanie przez płótno najpierw pozycji "1" a następnie jego zaczepienie do mechanicznego ogranicznika położenia podczas otwierania.
- Pozycja "S" musi znajdować się kilka centymetrów za mechanicznym ogranicznikiem odzepiającym. Podczas zamykania umożliwi to uzyskanie przez płótno najpierw pozycji "S" a następnie automatyczne jego odzepienie od mechanicznego ogranicznika położenia i podniesienie do ogranicznika położenia podczas zamykania "0".

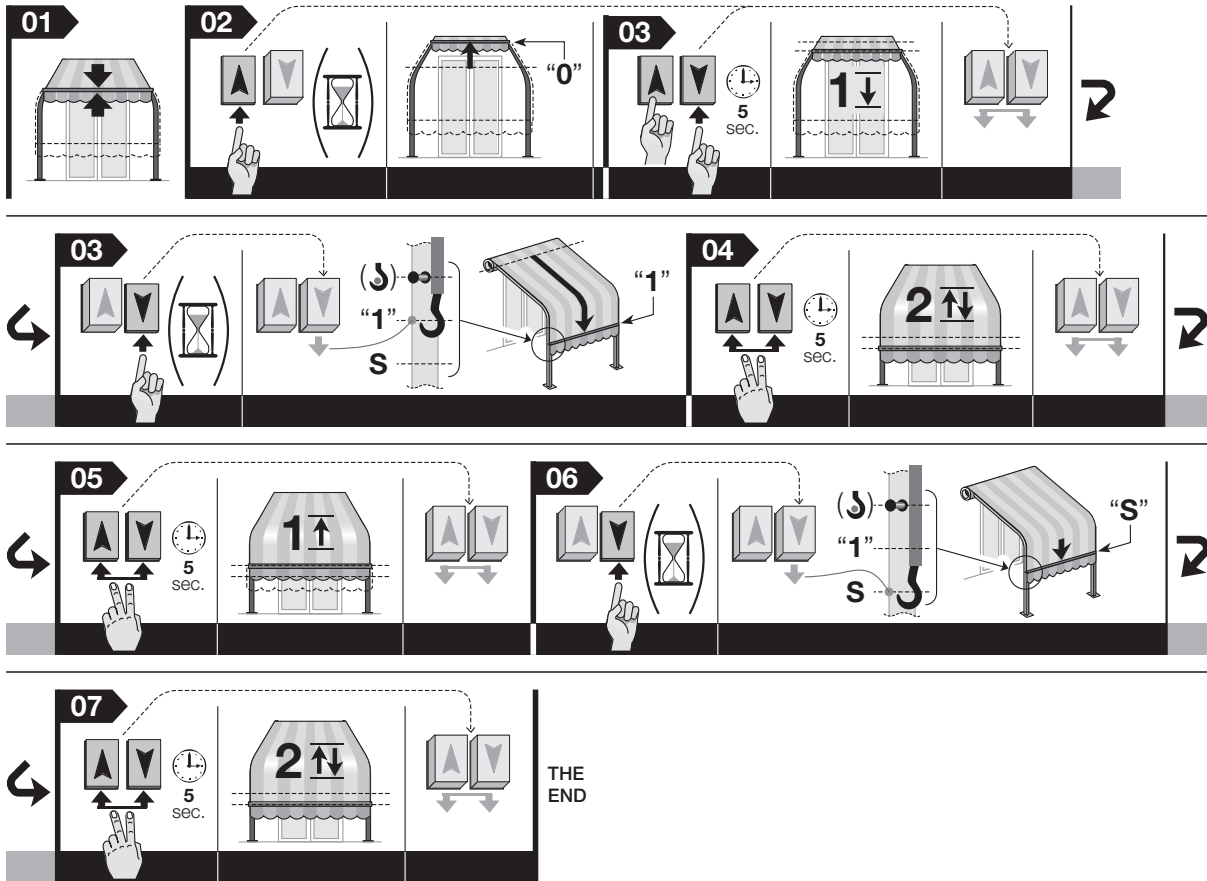
• **(Zachowuje aktywną funkcję "RDC")**

01. Wykorzystując przycisk **Podnoszenia** lub **Opuszczania** doprowadź markizę do połowy ruchu.
02. Wciśnij i przytrzymaj przycisk **Podnoszenie**, aż do momentu, gdy markiza zatrzyma się automatycznie na ograniczniku położenia "0"; teraz zwolnij przycisk.
03. Przytrzymaj wciśnięty przycisk **Opuszczanie**, doprowadź markizę poza punkt zaczepienia i zatrzymaj ją kilka centymetrów za nim (jeżeli to konieczne skoryguj tę pozycję z pomocą obu przycisków).
04. Przytrzymaj jednocześnie wciśnięte przyciski **Podnoszenia** i **Opuszczania**, i odczekaj, dopóki markiza nie wykona dwóch krótkich ruchów: jednego podnoszenia (po kilku sekundach) i jednego opuszczania, aż do zatrzymania się ponownie w pozycji właśnie zaprogramowanej. Teraz zwolnij oba przyciski.
05. Przytrzymaj jednocześnie wciśnięte przyciski **Podnoszenia** i **Opuszczania**, dopóki markiza nie wykona jednego krótkiego ruchu podnoszenia. Teraz zwolnij przyciski.
06. Wykorzystaj ponownie dwa przyciski **Podnoszenia** i **Opuszczania**, aby doprowadzić markizę do pozycji odzepienia "S".
07. Przytrzymaj jednocześnie wciśnięte przyciski **Podnoszenia** i **Opuszczania**, i odczekaj, dopóki markiza nie wykona dwóch krótkich ruchów: jednego podnoszenia (po kilku sekundach) i jednego opuszczania, aż do zatrzymania się ponownie w pozycji właśnie zaprogramowanej. Teraz zwolnij przyciski.

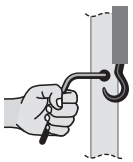


• **(Jednocześnie dezaktywuje również funkcję "RDC")**

01. Wykorzystując przycisk **Podnoszenia** lub **Opuszczania** doprowadź markizę do połowy ruchu.
02. Przytrzymaj wciśnięty przycisk **Podnoszenie** i odczekaj, aż do momentu, gdy markiza zatrzyma się automatycznie w wyniku uderzenia w ogranicznik położenia "0" (nie zwalnij przycisku!).
03. Podczas, kiedy przycisk **Podnoszenie** jest nadal wciśnięty, przytrzymaj wciśnięty również przycisk **Opuszczanie** i odczekaj, aż do momentu, gdy markiza wykona krótki ruch opuszczania; po jego zakończeniu zwolnij oba przyciski.
04. Przytrzymaj jednocześnie wciśnięte przyciski **Podnoszenia** i **Opuszczania**, i odczekaj, dopóki markiza nie wykona dwóch krótkich ruchów: jednego podnoszenia (po kilku sekundach) i jednego opuszczania, aż do zatrzymania się ponownie w pozycji właśnie zaprogramowanej. Teraz zwolnij oba przyciski.
05. Przytrzymaj jednocześnie wciśnięte przyciski **Podnoszenia** i **Opuszczania**, aby doprowadzić markizę do pozycji odczepienia "S". Teraz zwolnij przyciski.
06. Wykorzystaj ponownie dwa przyciski **Podnoszenia** i **Opuszczania**, aby doprowadzić markizę do pozycji odczepienia "S".
07. Przytrzymaj jednocześnie wciśnięte przyciski **Podnoszenia** i **Opuszczania**, i odczekaj, dopóki markiza nie wykona dwóch krótkich ruchów: jednego podnoszenia (po kilku sekundach) i jednego opuszczania, aż do zatrzymania się ponownie w pozycji właśnie zaprogramowanej. Teraz zwolnij przyciski.



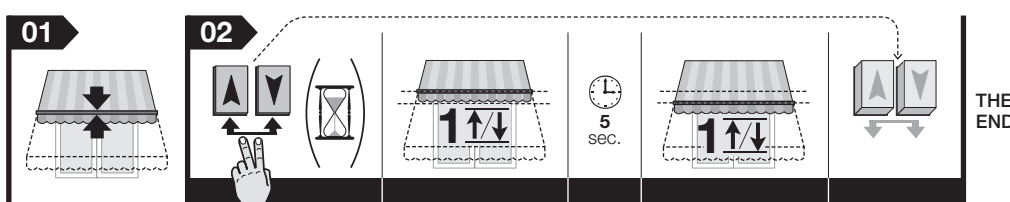
5.8 - Markiza z zahaczaniem płótna w trybie RĘCZNYM podczas otwierania: funkcja „FTA”



Ta funkcja została zaprojektowana wyłącznie dla markiz, wyposażonych w ręczny mechanizm blokujący markizę w pozycji otwarcia (na przykład mechanizm występujący w markizach z prostym ramieniem, w pergolach, itp.). Silnik umożliwia wczytanie kilku pozycji zahaczenia. Jeżeli funkcja jest aktywna, podczas manewru zamykania silnik zostanie automatycznie wyłączony, kiedy tylko markiza napotka na swojej drodze mechanizm blokujący. Następnie, aby ją odblokować wciśnij przycisk **Opuszczania**, odczekaj, aż markiza dotrze do ogranicznika położenia "1", odblokuj mechanizm w trybie ręcznym i podnieś markizę z pomocą przycisku **Podnoszenia**.

Uwaga! - Funkcja "FTA" może być programowana wyłącznie po wcześniejszym zaprogramowaniu wartości ograniczników położeń "0" i "1". W przypadku, kiedy funkcja "FTA" jest aktywna, funkcja "RDC" działa wzdłuż całego ruchu markizy.

01. Wykorzystując przycisk **Podnoszenia** lub **Opuszczania** doprowadź markizę do połowy ruchu.
02. Przytrzymaj jednocześnie wciśnięte przyciski **Podnoszenia** i **Opuszczania**, i odczekaj, dopóki markiza nie wykona jednego krótkiego ruchu, po którym nastąpi przerwa i kolejnego krótkiego ruchu; teraz zwolnij przyciski.

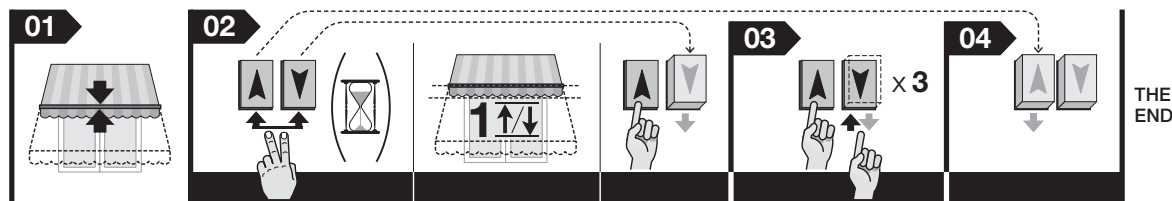


5.9 - Całkowite kasowanie pamięci

Uwaga! - Ta procedura kasuje wszystkie dane znajdujące się w pamięci centrali, włącznie z pozycjami "0" i "1".

01. Wykorzystując przycisk **Podnoszenia** lub **Opuszczania** doprowadź markizę do połowy ruchu.
02. Przytrzymaj jednocześnie wciśnięte przyciski **Podnoszenia** i **Opuszczania**, i odczekaj, dopóki markiza nie wykona jednego krótkiego ruchu; teraz zwolnij tylko jeden przycisk.
03. W ciągu 3 sekund od momentu wykonania przez markizę krótkiego ruchu, wciśnij 3 razy przycisk, który został wcześniej zwolniony, w punkcie 02.
04. Następnie zwolnij również drugi przycisk.

Uwaga – Jeżeli kasowanie zostało wykonane prawidłowo, sterując jednym podnoszeniem lub jednym opuszczaniem, markiza wykona 2 krótkie ruchy (= nie został zaprogramowany żaden ogranicznik położenia).



6 ZALECENIA DOTYCZĄCE CODZIENNEGO UŻYTKOWANIA AUTOMATU

6.1 - Maksymalny czas ciągłej pracy

Zwykle silniki rurowe z linii "Max" - pomimo, że gwarantowany maksymalny czas ciągłego użytkowania wynosi 4 minuty - są przeznaczone do użytku prywatnego, a co za tym idzie nieciągłego. W związku z tym w przypadku przegrzania, (na przykład z powodu ciągłego i przedłużającego się użytkowania), automatycznie włączy się zabezpieczająca "ochrona termiczna", która odetnie zasilanie elektryczne i przywróci je dopiero wtedy, gdy temperatura urządzenia powróci do normalnych wartości.

Co zrobić jeśli... (przewodnik do rozwiązywania problemów)

- Po podłączeniu napięcia do jednej fazy elektrycznej silnik nie włącza się:**
Wykluczając możliwość włączonego zabezpieczenia termicznego, w przypadku którego wystarczy odczekać na schłodzenie silnika, sprawdź, czy napięcie sieci odpowiada danym podanym w parametrach technicznych tej instrukcji obsługi i zmierz energię występującą pomiędzy przewodem "wspólnym" a przewodem zasilanej fazy elektrycznej. Teraz spróbuj podłączyć zasilanie do przeciwnej fazy elektrycznej.
- Po wysłaniu polecenia podnoszenia silnik nie włącza się:**
Jeżeli markiza została wcześniej prawie lub całkowicie zamknięta, silnik nie wykona manewru podnoszenia. W tym przypadku należy najpierw przesunąć ją w lewo do i następnie ponownie wydać polecenie podnoszenia.
- System pracuje w warunkach awaryjnych w trybie ręcznym:**
 - Sprawdź, czy w silniku wystąpił bardzo silny wstrząs elektryczny lub mechaniczny.
 - Sprawdź, czy żadna część silnika nie została naruszona.
 - Wykonaj procedurę kasowania (paragraf 5.9) i ponownie zaprogramuj ograniczniki położenia.

Utylizacja produktu

Produkt ten jest nierozłączną częścią automatyki, w związku z tym musi być poddany utylizacji wraz nią.

Podobnie jak przy instalacji, także przy zakończeniu użytkowania niniejszego produktu czynności utylizacji powinny być wykonane przez personel wykwalifikowany. Niniejszy produkt składa się z różnego rodzaju materiałów, niektóre z nich mogą być powtórnie użyte, inne muszą zostać poddane utylizacji. Należy zasięgnąć informacji o systemach wtórnego przerobu i utylizacji, przewidzianych przez lokalne przepisy dla tej kategorii produktu.

Uwaga! - niektóre elementy produktu mogą zawierać substancje szkodliwe lub niebezpieczne, które pozostawione w środowisku mogłyby zaszkodzić środowisku lub zdrowiu ludzkiemu.

Zgodnie ze wskazaniem symbolu na rysunku obok zabronione jest wyrzucanie tego produktu razem z odpadami domowymi. W celu utylizacji produktu należy przeprowadzić "segregację odpadów" na potrzeby utylizacji, według metod przewidzianych lokalnymi przepisami, lub zwrócić produkt sprzedawcy podczas zakupu nowego, równorzędnego produktu.

Uwaga! - lokalne przepisy mogą przewidywać poważne sankcje w przypadku samodzielnego likwidacji tego produktu.



Dane techniczne

Napięcie zasilania: 230 Vac - 50 Hz

Moc pobierana w stanie czuwania: 0,5 W

Dokładność enkodera: 2,7°

Czas pracy ciągłej: 4 min

Długość przewodu podłączenia: 2,5 m

Temperatura pracy: -20°C

Stopień ochrony IP: IP 44

Uwagi:

- Wszystkie przytoczone dane techniczne dotyczą temperatury otoczenia 20°C (± 5°C).

- Nice S.p.a. zastrzega sobie prawo do wprowadzania zmian w produkcie, kiedykolwiek to będzie konieczne, z zachowaniem tego samego przeznaczenia oraz funkcjonalności.

Deklaracja zgodności CE

Niniejszym firma Nice S.p.A. oświadcza, że następujące urządzenia: **E Star ST 324, E Star ST 524, E Star ST 611, E Star ST 1011, E Star ST 430, E Star MT 1030, E Star MT 817, E Star MT 1517, E Star MT 3017, E Star MT 4012, E Star MT 5012, E Star LT** są zgodne z podstawowymi wymogami oraz innymi odpowiednimi rozporządzeniami ustalonymi przez dyrektywy **2006/95/CE, 2004/108/CE**. Deklarację zgodności CE można przejrzeć i wydrukować na stronie internetowej www.nice-service.it lub też można ją zamówić w firmie Nice S.p.A.

In. Luigi Paro
(Członek Zarządu Spółki)

Beknopte handleiding

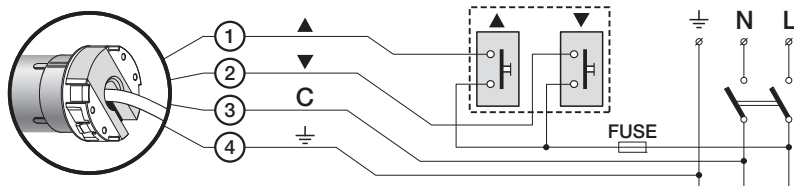
Era Star T buismotor voor zonwering

Opmerking bij het raadplegen van de handleiding • De nummering in deze Beknopte handleiding staat apart en komt niet overeen met de nummering die gebruikt wordt in de tekst van de complete Handleiding. • Deze gids is geen vervanging van de volledige handleiding.

Nice

NEEDLANDS

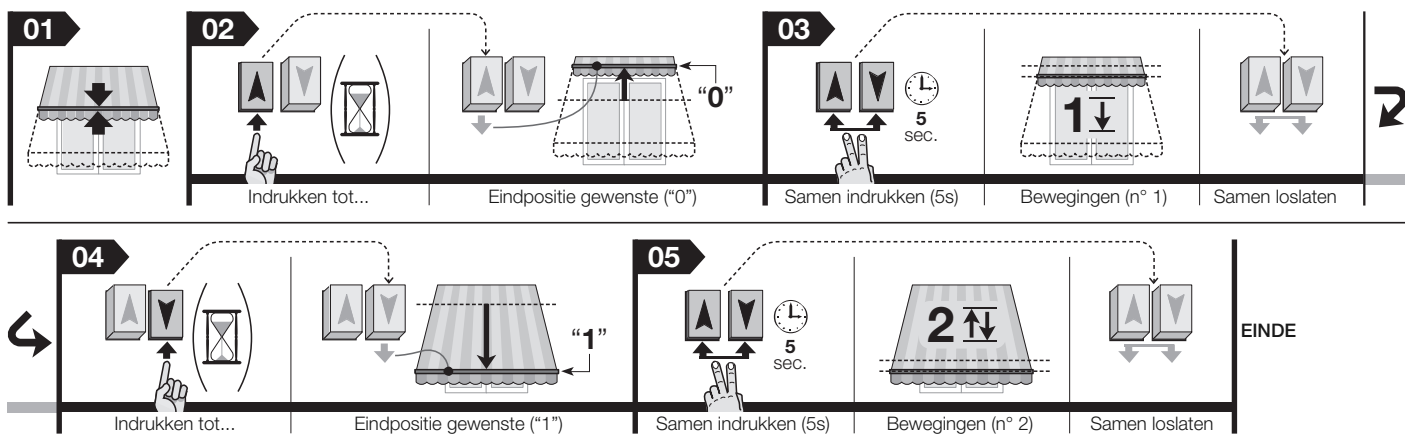
1 - Elektrische aansluitingen - ref. hoofdstuk 4



- 1 - Bruin: = Elektrische stijg-/daalfase.
- 2 - Zwart: = Elektrische daal-/stijgfase.
- 3 - Blauw: = Gemeenschappelijk (meestal verbonden met Neutraal).
- 4 - Geel-groen: = Aarde equipotentiaal-veiligheidsaansluiting – bestaat niet in de E Star ST motor).

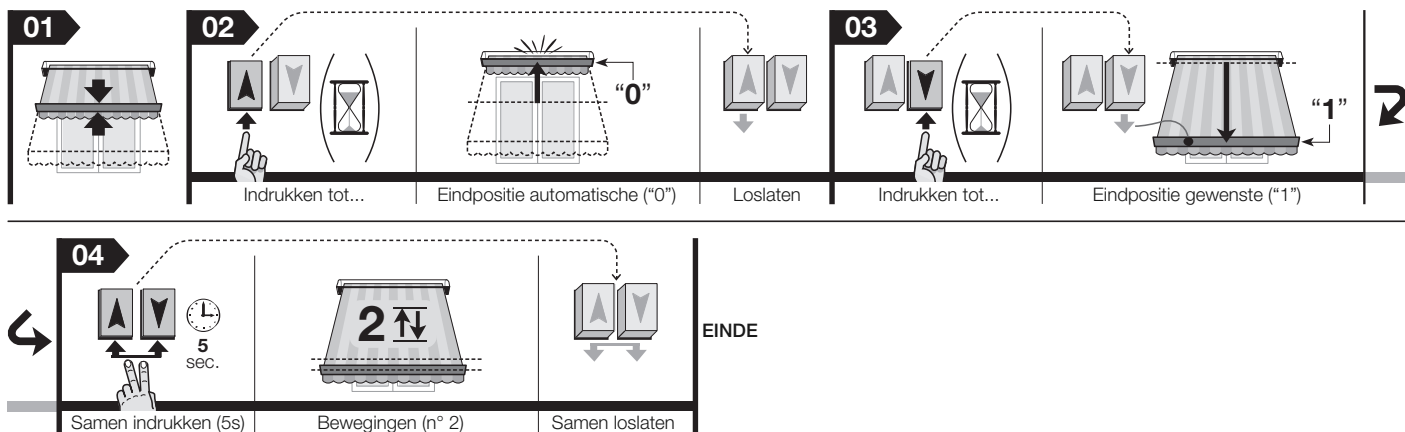
2 - Programmeren van de eindaanslagen "0" en "1" in HANDMATIGE modus - ref. paragraaf 5.3

Het is mogelijk aan het begin de bovenste eindaanslag (0) of de onderste eindaanslag (1) op te slaan, op willekeurige wijze, afhankelijk van uw vereisten.

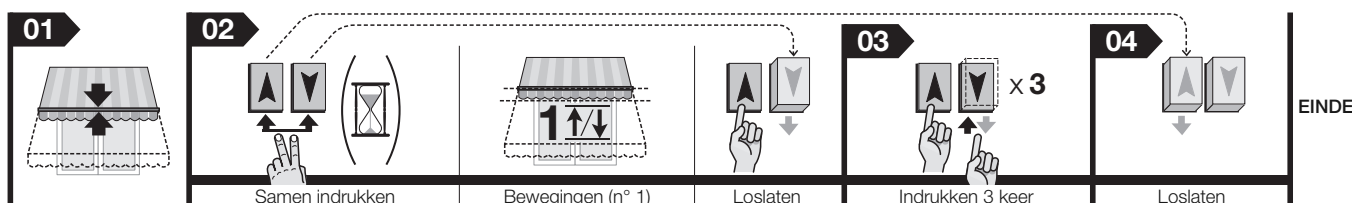


3 - Programmeren van de eindposities "0" en "1" in SEMI-AUTOMATISCHE modus - ref. paragraaf 5.4

(De functie "RDC" wordt actief gehouden)



4 - Volledig wissen van het geheugen - ref. paragraaf 5.9



Complete handleiding

Afbeeldingen waaraan in de tekst gerefereerd wordt – Sommige in de tekst genoemde afbeeldingen staan achterin de handleiding.

1 ALGEMENE AANBEVELINGEN EN VOORZORGSMAATREGELEN VOOR DE VEILIGHEID

1.1 - Aanbevelingen voor de veiligheid

- **LET OP!** - Belangrijke veiligheidsinstructies. Voor de veiligheid van de betrokken personen is het belangrijk deze aanwijzingen op te volgen. Een onjuiste installatie kan namelijk ernstig letsel veroorzaken. Lees de aanwijzingen aandachtig door alvorens met het werk te beginnen; neem in geval van twijfel contact op met de Klantenservice van Nice.
- **LET OP!** - Bewaar deze aanwijzingen voor eventuele toekomstige onderhoudswerkzaamheden en voor de verwerking als afval van het afgedankte product.
- **LET OP!** - Alle werkzaamheden in verband met de installatie, de aansluiting, de programmering en het onderhoud van het product mogen uitsluitend worden uitgevoerd door een gekwalificeerde en bekwame technicus, met inachtneming van de wetten, voorschriften en plaatselijke regels en volgens de in deze handleiding beschreven instructies.

1.2 - Aanbevelingen voor de installatie

- Voordat u met de installatie begint, dient u te controleren of dit product geschikt is voor het automatiseren van uw zonwering (lees paragraaf 3.1).
- Alle installatie- en onderhoudswerkzaamheden moeten plaatsvinden met van de elektrische voeding losgekoppelde automatisering. Bevestig, alvorens met de werkzaamheden te beginnen, op de uitschakelinrichting uit voorzorg een bord met het opschrift "LET OP! BEZIG MET ONDERHOUD".
- Alvorens met de installatie te beginnen dient u alle elektrische kabels die u niet nodig heeft uit de buurt te plaatsen en dient u alle mechanismen, die niet nodig zijn voor de motoraangedreven werking van de zonwering, te deactiveren.
- Indien het product op een hoogte van minder dan 2,5 m vanaf de vloer of een ander draagvlak wordt geïnstalleerd, is het noodzakelijk de bewegende delen ervan te beschermen met een afdekking, om te voorkomen dat men hier per ongeluk mee in aanraking kan komen. Zie voor de realisatie van de bescherming van de bewegende delen de instructiehandleiding van de zonwering, en zorg er in elk geval voor dat men wel bij het product kan voor onderhoudswerkzaamheden.
- Behandel het product gedurende de installatie voorzichtig: voorkom samendrukking, stoten, valpartijen of contact met vloeistoffen van welke soort dan ook; boor geen gaten en draai geen schroeven in de buitenkant van de motor; plaats het product niet in de buurt van warmtebronnen en stel het niet bloot aan open vuur (afb. 1). Een dergelijke handelswijze kan het product beschadigen en storingen of gevaarlijke situaties veroorzaken. In dergelijke gevallen dient u de installatie onmiddellijk te onderbreken en contact op te nemen met de klantenservice van Nice.
- Bij de installatie mogen in het gedeelte van de rol waar de buismotor in zit geen schroeven worden aangebracht. De motor kan hierdoor schade oplopen.
- Haal het product niet verder uit elkaar dan in deze handleiding is aangegeven.
- Voer geen wijzigingen aan welke delen van het product dan ook uit anders dan in deze handleiding aangegeven. Niet-toegestane handelingen zullen slechts storingen in de werking veroorzaken. De fabrikant aanvaardt geen aansprakelijkheid voor schade die het gevolg is van op willekeurige wijze gewijzigde inrichtingen.
- De voedingskabel van het product is van PVC en is daarom uitsluitend geschikt voor installatie binnenshuis. Als het product buiten wordt geïnstalleerd, dient de kabel in een beschermbuis te worden geïnstalleerd.
- Als de voedingskabel beschadigd is, kan het product niet langer gebruikt worden; de kabel kan namelijk niet vervangen worden. Neem in dit geval contact op met de klantenservice van Nice.
- Gedurende het aanleggen van de installatie dienen de personen uit de buurt van de zonwering worden gehouden wanneer deze in beweging is.
- De afvalverwerking van het verpakkingsmateriaal van het product moet volgens de plaatselijk geldende regels plaatsvinden.

1.3 - Aanbevelingen voor het gebruik

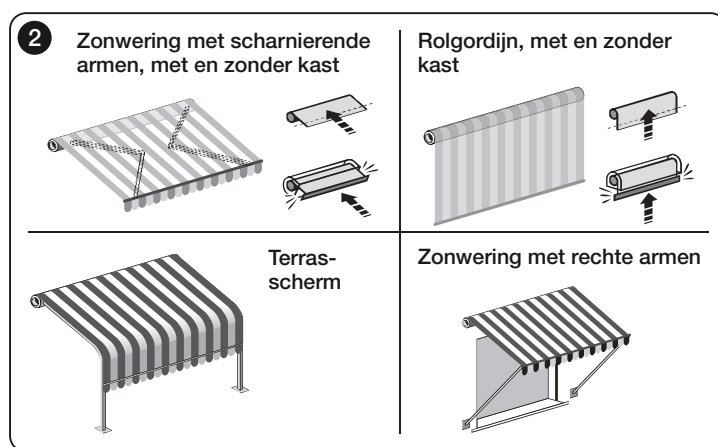
- Het product is niet bestemd om gebruikt te worden door personen (inclusief kinderen) wier fysieke, zintuiglijke of mentale vermogens beperkt zijn of die niet over genoeg ervaring of kennis beschikken, tenzij deze personen onder toezicht staan van een persoon die voor hun veiligheid verantwoordelijk is of instructies hebben ontvangen over het gebruik van het product.
- Kinderen dienen in het oog te worden gehouden om er zeker van te zijn dat ze niet met de automatisering spelen.
- Laat kinderen niet met de vaste bedieningsinrichtingen spelen. Houd de draagbare bedieningsinrichtingen (afstandsbedieningen) buiten bereik van kinderen.
- Houd de automatisering gedurende het uitvoeren van de manoeuvre in het oog en houd personen uit de buurt tot de beweging beëindigd is.
- Laat de zonwering niet bewegen wanneer er onderhoudswerkzaamheden aan de gang zijn (bijvoorbeeld wanneer de ramen worden gelapt). Indien de bedieningsinrichting van het automatische type is, dient u de zonwering van de elektrische voeding af te koppelen.
- Vergeet niet de balansveren en de slijtage van de kabels regelmatig te controleren (indien aanwezig). Gebruik de automatisering niet als deze afgesteld of gerepareerd moet worden; laat het verhelpen van dergelijke problemen uitsluitend over aan gespecialiseerd technisch personeel.

2 BESCHRIJVING VAN HET PRODUCT EN GEBRUIKSBESTEMMING

Era Star T is een familie van buismotoren die uitsluitend bestemd zijn voor het automatiseren van verschillende types zonwering (zie afb. 2). **Elk willekeurig ander gebruik is verboden! De fabrikant is niet aansprakelijk voor schade die voortvloeit uit een oneigenlijk gebruik van het product, dat wil zeggen een gebruik dat afwijkt van wat in deze handleiding is beschreven.**

Functionele kenmerken van het product:

- werkt op netspanning (zie de gegevens op het motorplaatje);
- het wordt geïnstalleerd in de rol waar de zonwering opgewikkeld wordt; het uitstekende vlak wordt vastgezet met schroeven en /of speciale draagbeugels van Nice (niet aanwezig in de verpakking);
- het kan de zonwering omhoog en omlaag laten bewegen;
- het heeft een ingebouwde besturingseenheid met encodertechnologie die garant staat voor de elektronische besturing van de beweging en de precisie van de eind-aanslagen;
- wordt geprogrammeerd met een aan de wand gemonteerd drukknoppenpaneel (drukknoppen niet vergrendeld) of met een TTU programmeereenheid (accessoire niet in de verpakking aanwezig);
- wordt bediend met een wanddrukknoppenpaneel: aangeraden wordt een stabiele of instabiele schakelaar te gebruiken, met vergrendelde drukknoppen;
- het is voorzien van een thermische beveiliging die, in geval van oververhitting als gevolg van te intensief gebruik van de automatisering, de elektrische stroomtoevoer automatisch onderbreekt en deze herstelt zo gauw de temperatuur weer binnen het normale bereik ligt.



3 IINSTALLATIE VAN HET PRODUCT

3.1 - Controles vooraf en gebruikslimieten

Alvorens de installatie uit te voeren, de volgende controles uitvoeren:

- Controleren of de onderdelen van het product die u zojuist uit de verpakking heeft gehaald intact zijn.
- Controleren of de gekozen motor geschikt is door de technische kenmerken ervan te vergelijken met de technische kenmerken van de zonwering; en de motor NIET installeren indien de kenmerken ervan (nominiaal koppel, draaisnelheid en werkingstijd) niet geschikt zijn voor uw zonwering. Het is met name belangrijk dat het motorkoppel NIET GROTER IS dan het koppel dat nodig is om de zonwering te bewegen. Verdere gebruikslimieten zijn beschreven in het hoofdstuk "Technische kenmerken".
- Controleer de diameter van de wikkelrol. Deze moet worden gekozen op basis van de motorkoppel, en wel op de volgende wijze:
 - voor motoren van maat "S" ($\varnothing = 35 \text{ mm}$) moet de binnendiameter van de wikkelrol minimaal 40 mm zijn;
 - voor motoren van maat "M" ($\varnothing = 45 \text{ mm}$) en koppel tot en met 35 Nm moet de binnendiameter van de wikkelrol minimaal 52 mm zijn;
 - voor motoren van maat "M" ($\varnothing = 45 \text{ mm}$) en koppel groter dan 35 Nm moet de binnendiameter van de wikkelrol minimaal 60 mm zijn;
 - voor motoren van maat "L" ($\varnothing = 58 \text{ mm}$) moet de binnendiameter van de wikkelrol minimaal 70 mm zijn.
- Voordat u een zonwering gaat automatiseren, dient u te controleren of er voor de zonwering voldoende vrije ruimte is om hem volledig te kunnen openen.
- In geval van installatie buitenshuis dient u ervoor te zorgen dat de motor afdoende beschermd is tegen de weersomstandigheden.

3.2 - Assemblage en installatie van de buismotor

Let op! - Alvorens de buismotor te assembleren en te installeren, dient u de aanbevelingen uit paragraaf 1.2 aandachtig door te lezen. Een verkeerde installatie kan ernstig letsel veroorzaken.

Zie voor het assembleren van de buismotor afb. 3. Raadpleeg de Nice productencatalogus of de site www.niceforyou.com voor de keuze van de kroon van de eind-aanslag (afb. 3-a), het aandrijfwieltje (afb. 3-b) en de bevestigingsbeugel (afb. 3-f) van de motor.

• Installeren van het drukknoppenpaneel aan de wand

Installeer op de wand een drukknoppenpaneel en neem hierbij de volgende aanbevelingen in acht:

- kies een drukknoppenpaneel met 2 drukknoppen (*Omhoog en Omlaag*).
- aangeraden wordt om een drukknoppenpaneel te gebruiken dat in de modus "persoon aanwezig" werkt, dat wil zeggen, waarbij de drukknop ingedrukt moet worden gehouden voor de gewenste duur van de manoeuvre.
- plaats het drukknoppenpaneel in het zicht van de zonwering, maar ver uit de buurt van de bewegende onderdelen.
- plaats het drukknoppenpaneel naast de zonwering, op het punt waar zich de van de buismotor afkomstige elektriciteitskabel en de netvoedingskabel bevinden.
- plaats het drukknoppenpaneel op een hoogte van meer dan 1,5 m vanaf de vloer.

4 ELEKTRISCHE AANSLUITINGEN

Let op!

- Een verkeerde aansluiting kan storingen of gevaarlijke situaties veroorzaken.
- De in deze handleiding aangegeven aansluitingen dienen nauwgezet te worden aangehouden.
- In het voedingsnet van het product moet een inrichting voor afkoppeling van het net worden geïnstalleerd die een dusdanige openingsafstand tussen de contacten heeft dat volledige afkoppeling in de condities van overspanningcategorie III mogelijk is, in overeenstemming met de installatievoorschriften (deze afkoppelinrichting wordt niet bij het product geleverd).

Baseer u voor de elektrische aansluitingen op het schakelschema van **afb. 4**. Het is mogelijk om meerdere motoren te bedienen met een enkel bedieningspaneel, door deze motoren "parallel" aan te sluiten. De kabel voor de elektrische aansluitingen van de buismotor heeft aan de binnenkant 4 geleiders:

- **Bruin**: = Elektrische stijg-/daalfase.
- **Zwart**: = Elektrische daal-/stijgfase.
- **Blauw**: = Gemeenschappelijk (meestal verbonden met Neutraal).
- **Geel-groen**: = Aarde equipotentiaal-veiligheidsaansluiting – bestaat niet in de E Star ST motor).

Let op! – De maximale lengte van de kabels waarmee een toetsenbord (wandmodel) of een bedieningspaneel wordt verbonden met het relais, bedraagt 100 m.

• Koppeling van de bewegingen *Omhoog en Omlaag* aan de respectievelijke bedieningsknoppen

Wanneer de afsluitingen tot stand zijn gebracht, een aantal manoeuvres laten uitvoeren(*) om te controleren of de bewegingen omhoog en omlaag correct aan de betreffende bedieningsknoppen zijn gekoppeld. Als dit niet zo is, dient u de aansluiting tussen de **Bruine** en **Zwarte** geleiders om te draaien.

(*) – Gedurende de uitvoering van de manoeuvre nagaan of de zonwering 2 korte bewegingen uitvoert (= automatisering correct aangesloten). De richting waarin de motor draait is niet van belang

5 PROGRAMMERING

5.1 - Aanbevelingen bij het programmeren

• Algemeen

- U dient zich strikt aan de in de procedure aangegeven tijdslijmeten te houden.
- De posities **0**, **1**, **2**, **S** van de zonwering, die in de tekst genoemd worden, komen overeen met de posities die getoond zijn op **afb. 6**.
- gedurende de installatie- en afstelwerkzaamheden, wanneer er nog geen definitieve elektrische aansluitingen zijn, kan de buismotor bestuurd worden met de hiervoor bestemde eenheid TTU van Nice (**afb. 7**).

• Door de motor afgegeven signaleringen

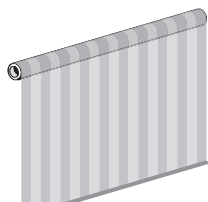
- De motor voert 1 zeer korte onderbreking uit aan het begin van de manoeuvre, om de beweging vervolgens te hervatten = er is slechts 1 eindaanslag in het geheugen opgeslagen.
- De motor voert 2 zeer korte onderbrekingen uit aan het begin van de manoeuvre, om de beweging vervolgens te hervatten = er is geen enkele eindaanslag in het geheugen opgeslagen.
- wanneer u de bedieningsknop ingedrukt houdt (modus "Persoon aanwezig"), start de beweging maar wordt na korte tijd onderbroken, zonder dat de manoeuvre wordt afgemaakt = wis alle gegevens en programmeer vervolgens de eindaanslagen.

5.2 - Programmering van de eindaanslagen

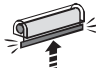
De eindaanslagen "0" en "1" (**afb. 6**) zijn de basisposities die de zonwering aanneemt aan het einde van de Beweging omhoog ("0") en aan het einde van de Beweging omlaag ("1").

Om de procedure te kiezen die het best geschikt is voor de kenmerken van de installatie, raadpleegt u **afb. 5**.

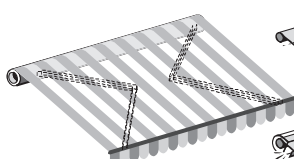
5



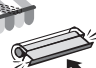
Handmatige procedure
paragraaf 5.3



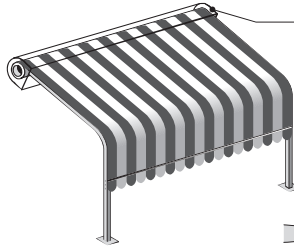
Semiautomatische procedure
paragraaf 5.4



Handmatige procedure
paragraaf 5.3



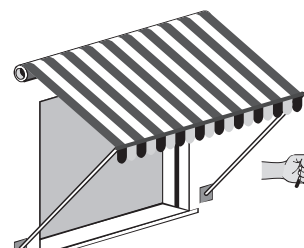
Semiautomatische procedure
paragraaf 5.4



Semiautomatische procedure
paragraaf 5.4

optie "FTC" (paragraaf 5.7)

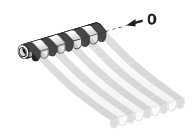
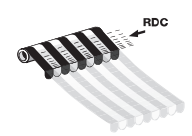
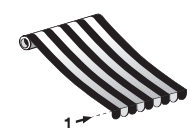
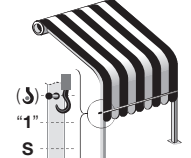
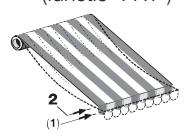
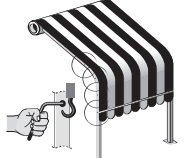
optie "FTA" (paragraaf 5.8)



Handmatige procedure
paragraaf 5.3

optie "FTA" (paragraaf 5.8)

6

<p>positie "0"</p>  <p>Vermindering van kracht in sluitbeweging (functie "RDC")</p> 	<p>positie "1"</p>  <p>positie "S" Automatisch vasthouden (functie "FTC")</p> 	<p>positie "2" Spannen van het doek (functie "FRT")</p>  <p>Handmatig vasthouden (functie "FTA")</p> 
--	--	---

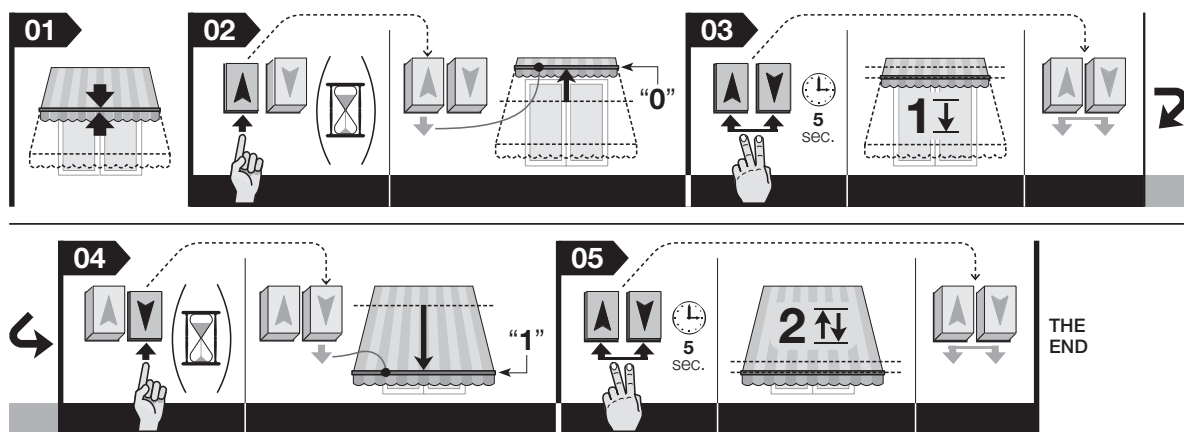
• Opmerking over de functie "RDC"

Dankzij de functie **RDC** wordt voorkomen dat het doek na afloop van de sluitmanoeuvre te strak gespannen blijft. De functie bestaat uit een automatische reductie van het trekkoppel van de motor gedurende de eindfase van de sluitmanoeuvre (zie voor het instellen van de gewenste koppelwaarde paragraaf 5.5). In de fabriek is deze functie als actief ingesteld, maar hij is niet toepasbaar wanneer de eindaanslagen met de handmatige procedure geprogrammeerd worden (paragraaf 5.3). De functie kan uitsluitend gedeactiveerd worden gedurende de programmering van de eindaanslagen, met de semiautomatische procedure (paragraaf 5.4).

5.3 - Programmeren van de eindaanslagen "0" en "1" in HANDMATIGE modus

Let op! • Deze programmering is geschikt voor zonwering zonder kast. • Het is mogelijk aan het begin de bovenste eindaanslag (0) of de onderste eindaanslag (1) op te slaan, op willekeurige wijze, afhankelijk van uw vereisten. • De functie RDC kan niet geactiveerd worden.

- Gebruik de drukknop **Omhoog** of **Omlaag** om de zonwering halverwege zijn traject te zetten. **Opmerking** - 2 korte onderbrekingen gedurende de beweging signaleren dat er geen enkele eindpositie in het geheugen is opgeslagen.
- Houd de toets **Omhoog** ingedrukt totdat de zonwering bij de gewenste eindpositie komt; laat de toets vervolgens weer los.
- Houd de twee drukknoppen **Omhoog** en **Omlaag** tegelijk ingedrukt en laat nadat de zonwering een korte manoeuvre naar boven heeft uitgevoerd de drukknoppen los.
- Houd de drukknop **Omlaag** ingedrukt tot de zonwering bij de gewenste eindpositie komt, laat de drukknop vervolgens weer los. **Opmerking** - 1 korte onderbreking gedurende de beweging signaleert dat er slechts één eindpositie in het geheugen is opgeslagen.
- Houd de twee drukknoppen **Omhoog** en **Omlaag** tegelijk ingedrukt en laat nadat de zonwering een korte manoeuvre naar boven en beneden heeft uitgevoerd de drukknoppen los.

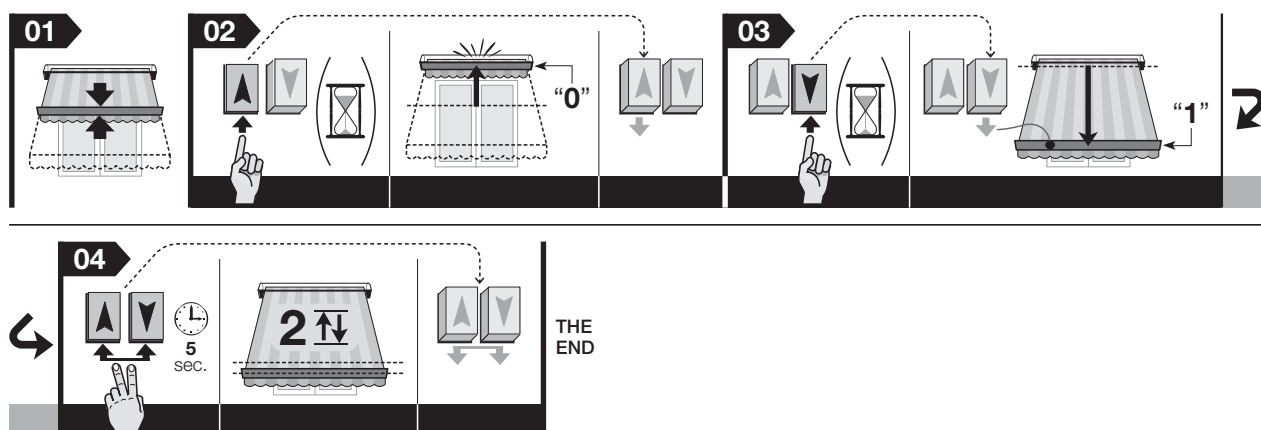


5.4 - Programmeren van de eindposities "0" en "1" in SEMI-AUTOMATISCHE modus

Let op! • Deze programmering is geschikt voor zonwering met kast. • Programmeer eerst de positie "0" en vervolgens de positie "1".

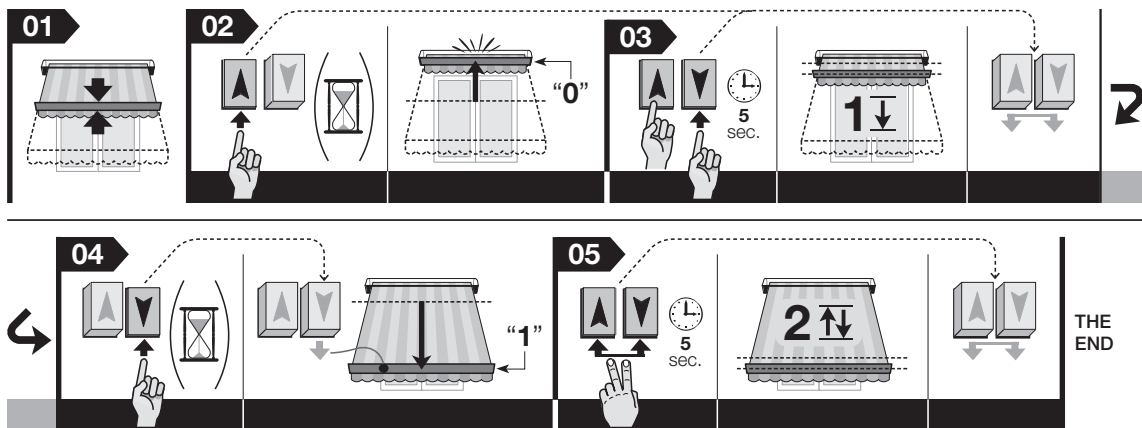
• (De functie "RDC" wordt actief gehouden)

- Gebruik de drukknop **Omhoog** of **Omlaag** om de zonwering halverwege zijn traject te zetten. **Opmerking** - 2 korte onderbrekingen gedurende de beweging signaleren dat er geen enkele eindpositie in het geheugen is opgeslagen.
- Houd de drukknop **Omhoog** ingedrukt totdat de zonwering stopt omdat hij tegen de eindaanslag "0" aan zit; laat de toets vervolgens weer los.
- Houd de drukknop **Omlaag** ingedrukt totdat de zonwering bij de gewenste eindpositie is gekomen ("1"); laat de drukknop vervolgens weer los.
- Houd de twee drukknoppen **Omhoog** en **Omlaag** tegelijkertijd ingedrukt; laat de knoppen weer los nadat de zonwering een korte beweging omhoog en een korte beweging omlaag heeft uitgevoerd.



• (Deactiveert tegelijkertijd ook de functie "RDC")

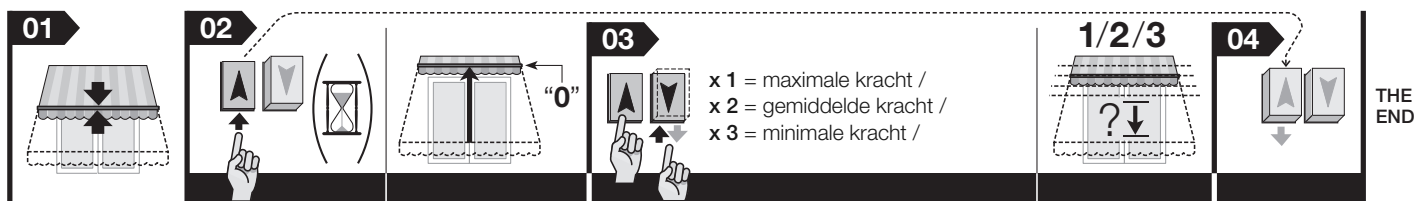
- Gebruik de drukknop **Omhoog** of **Omlaag** om de zonwering halverwege zijn traject te zetten. **Opmerking** - 2 korte onderbrekingen gedurende de beweging signaleren dat er geen enkele eindpositie in het geheugen is opgeslagen.
- Houd de drukknop **Omhoog** ingedrukt en wacht tot de zonwering stopt doordat hij tegen de eindaanslag "0" aanstoot (laat de drukknop niet los!).
- Houd, terwijl u de drukknop **Omhoog** nog steeds ingedrukt houdt, ook de drukknop **Omlaag** ingedrukt en wacht tot de zonwering een korte daalbeweging uitvoert, laat tot slot de twee drukknoppen weer los.
- Houd de drukknop **Omlaag** ingedrukt totdat de zonwering bij de gewenste eindpositie is gekomen ("1"); laat de drukknop vervolgens weer los.
- Houd de twee drukknoppen **Omhoog** en **Omlaag** tegelijkertijd ingedrukt; laat de knoppen weer los nadat de zonwering een korte beweging omhoog en een korte beweging omlaag heeft uitgevoerd.



5.5 - Regelen van de kracht in de sluitbeweging: functie "RDC"

Let op! - De persoonlijke aanpassing van het "RDC" niveau kan pas worden uitgevoerd nadat u de afstandswaarden van de eindaanslagen "0" en "1" heeft geprogrammeerd.

01. Gebruik de drukknop **Omhoog** of **Omlaag** om de zonwering halverwege zijn traject te zetten.
02. Houd de drukknop **Omhoog** ingedrukt totdat de zonwering de eindpositie "0" bereikt (laat de drukknop niet los).
03. Vervolgens met de drukknop **Omhoog** nog steeds ingedrukt, de drukknop **Omlaag** net zo vaak indrukken als het nummer van het niveau dat u wilt selecteren (de knop moet steeds 1 seconde worden ingedrukt, gevolgd door 1 seconde pauze). Wacht, met ingedrukte drukknop **Omhoog**, tot de zonwering een aantal korte bewegingen maakt (in de daalrichting) - net zoveel bewegingen als het nummer van het nieuw ingestelde niveau. De beschikbare niveaus zijn:
niveau 1 = maximale kracht (in de fabriek ingesteld niveau.) / **niveau 2** = gemiddelde kracht / **niveau 3** = minimale kracht
04. Laat de drukknop **Omhoog** tot slot los.



5.6 - Spannen van het doek: functie "FRT" (positie "2")

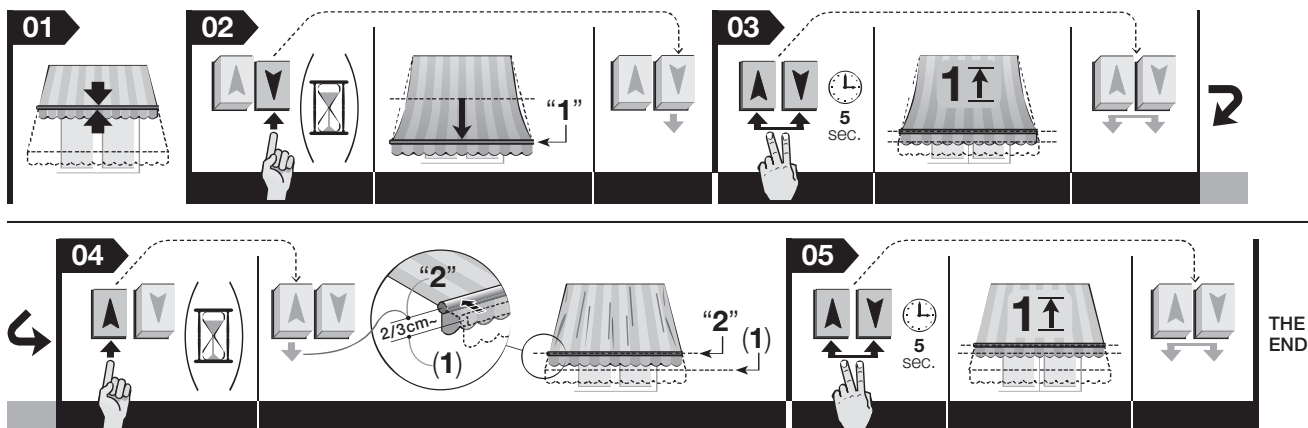
Deze functie dient om het doek van de zonwering te spannen wanneer deze geopend is. De functie wordt geactiveerd door in de ERA Star T de positie "2" te programmeren.

Gedurende het gebruik van de automatisering zal, wanneer de zonwering opengaat, de motor hem eerst in positie "1" zetten en meteen daarna het doek spannen door automatisch een korte stijgbeweging tot aan positie "2" aan te sturen.

Let op! - De functie "FRT" kan pas geprogrammeerd worden nadat u de afstandswaarden van de eindaanslagen "0" en "1" heeft geprogrammeerd.

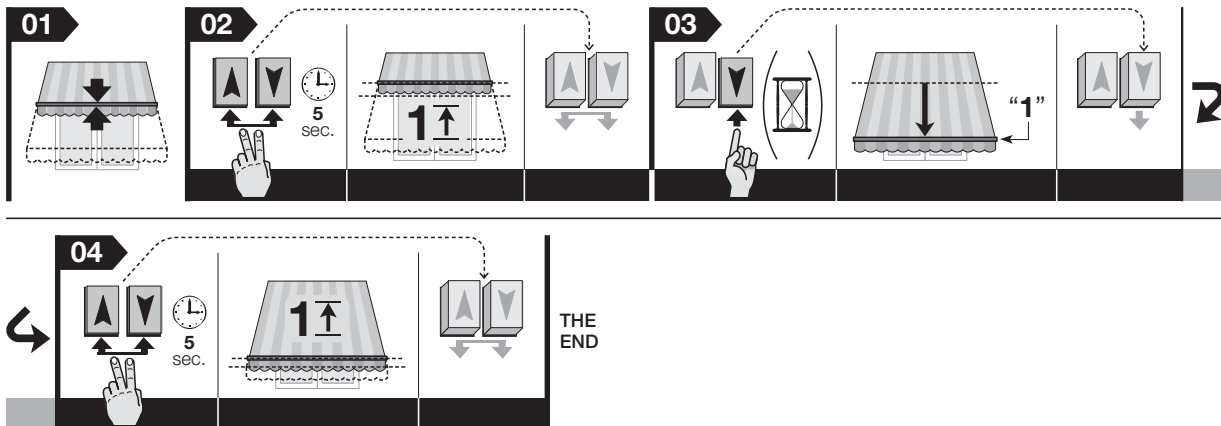
• Om de functie "FRT" te activeren

01. Gebruik de drukknop **Omhoog** of **Omlaag** om de zonwering halverwege zijn traject te zetten.
02. Gebruik de drukknop **Omlaag** om de zonwering in positie "1" te zetten.
03. Houd de drukknoppen **Omhoog** en **Omlaag** tegelijkertijd ingedrukt tot de zonwering een korte stijgbeweging uitvoert; laat de drukknoppen tot slot weer los.
04. Gebruik de drukknop **Omhoog** om de zonwering een paar centimeter te sluiten, totdat het doek goed gespannen is (dit zal positie "2" zijn).
05. Houd de drukknoppen **Omhoog** en **Omlaag** tegelijkertijd ingedrukt tot de zonwering een korte stijgbeweging uitvoert; laat de drukknoppen tot slot weer los.



• **Om de functie "FRT" te deactiveren**

01. Gebruik de drukknop **Omhoog** of **Omlaag** om de zonwering halverwege zijn traject te zetten.
 02. Houd de drukknoppen **Omhoog** en **Omlaag** tegelijkertijd ingedrukt tot de zonwering een korte stijgbeweging uitvoert; laat de drukknoppen tot slot weer los.
 03. Houd de drukknop **Omlaag** ingedrukt om de zonwering op eindpositie "1" te brengen en laat de knop exact op het moment, dat de zonwering automatisch op deze eindpositie stilhoudt, weer los.
 04. Houd de drukknoppen **Omhoog** en **Omlaag** ingedrukt totdat de zonwering een korte stijgbeweging uitvoert; laat de drukknoppen daarna weer los.
- Opmerking** – Nadat de positie "2" gewist is, zal de zonwering zich verplaatsen tussen de eindposities "0" en "1".



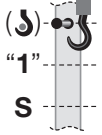
5.7 - Zonwering met AUTOMATISCH vasthaaksysteem van het doek in de openingsbeweging: functie "FTC"

Deze functie maakt het mogelijk de zonwering automatisch vast te zetten en los te maken. De functie "FTC" kan alleen geactiveerd worden als op de zonwering, in één enkele positie, het mechanisme voor automatisch vast/loshaken van het doek, ter hoogte van de openingsstand van de zonwering, aanwezig is. De motor laat opslag van slechts één vasthaakpositie toe.

Over het algemeen beschikt dit type mechanisme over een stop voor mechanische bevestiging van de zonwering en twee andere punten (die zich voorbij de stop bevinden) die de zonwering moet bereiken om het vastzetten (in positie "1") en het losmaken (in positie "S") van het doek mogelijk te maken.

Om het mechanisme correct te laten functioneren, moeten de twee posities "1" en "S" als volgt in het geheugen worden opgeslagen.

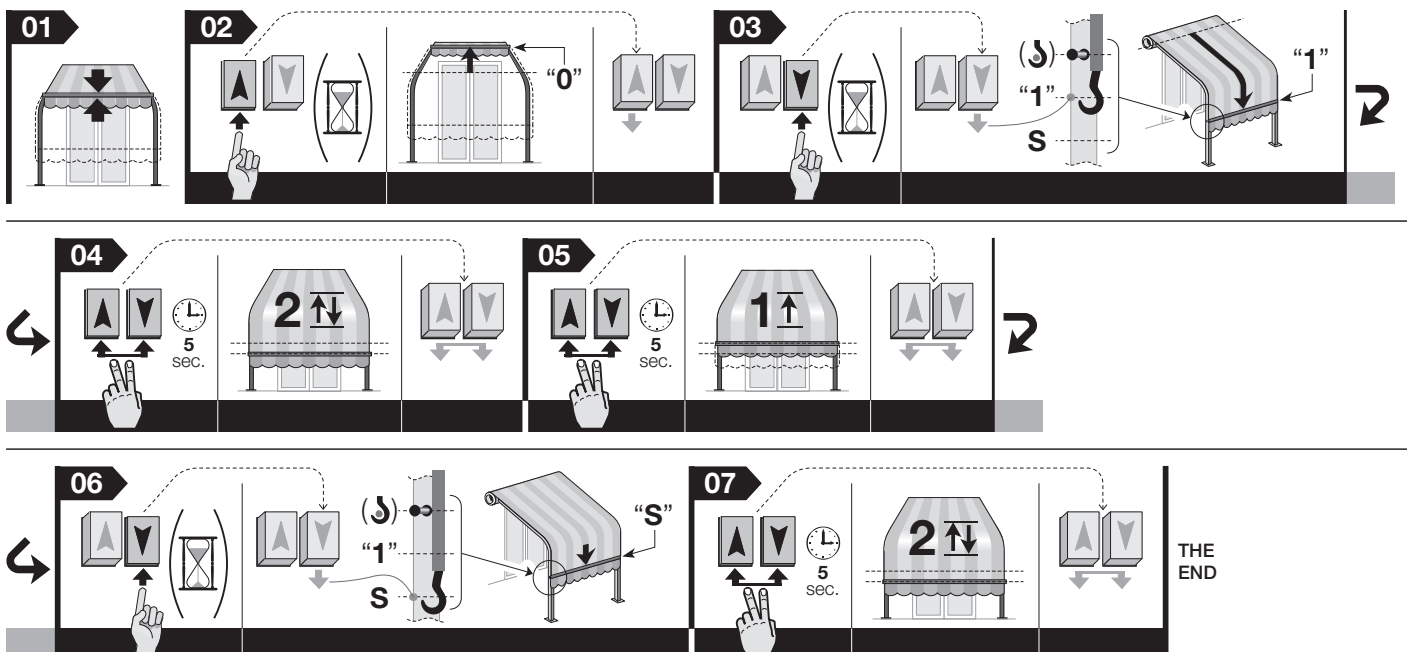
Let op!



- Voordat u de functie "FTC" programmeert dient u zich ervan te verzekeren dat de eindposities "0" en "1" niet zijn opgeslagen; wis de eindposities eventueel met de procedure 5.9.
- De positie "1" moet zich enige centimeters voorbij de mechanische stop voor het vastzetten bevinden. Op die manier zal het doek gedurende de openingsbeweging eerst de positie "1" bereiken en zich vervolgens gedurende de stijgbeweging vasthaken aan de mechanische stop.
- De positie "S" moet enige centimeters voorbij het losmaakpunt worden geplaatst. Op die manier zal het doek gedurende de sluitbeweging eerst de positie "S" bereiken, zich automatisch losmaken van de mechanische stop en vervolgens omhoog gaan naar de eindaanslag van de sluitbeweging "0".

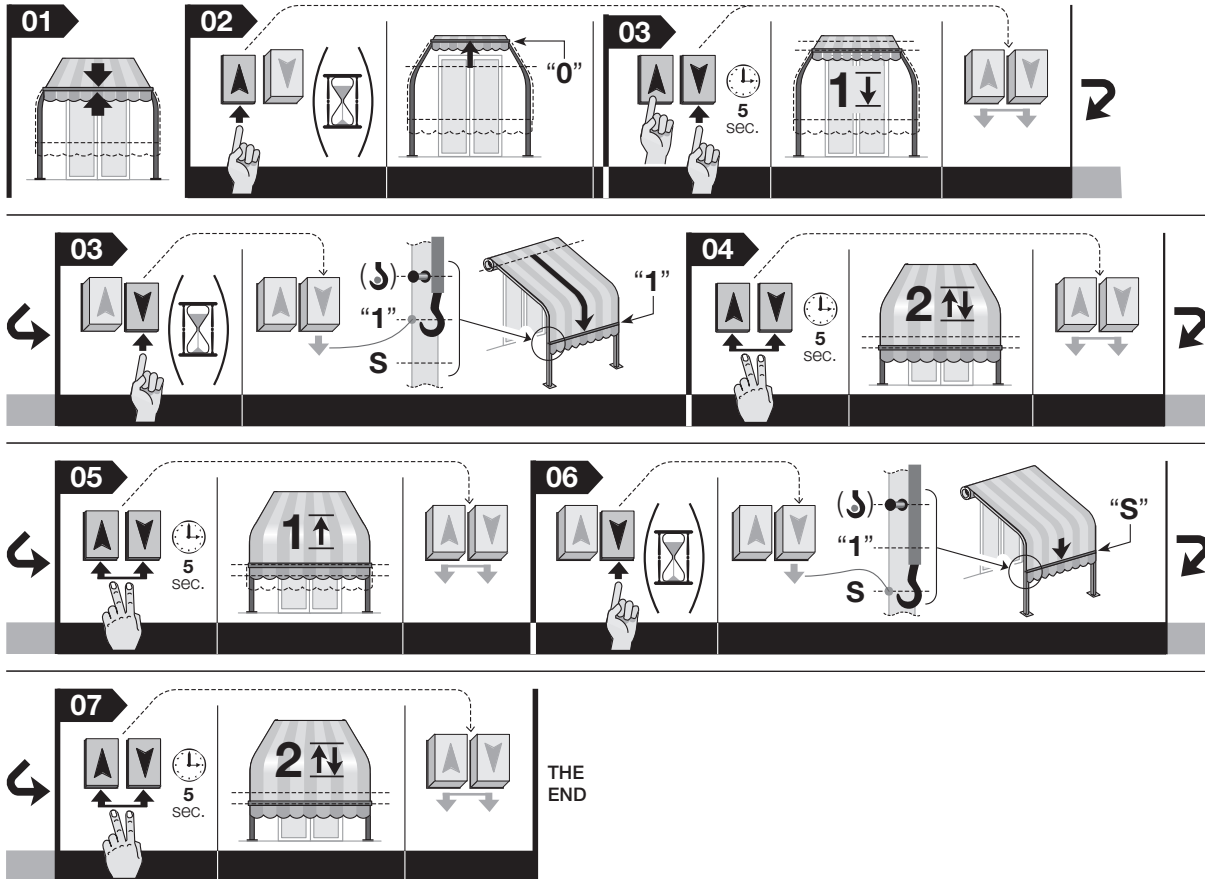
• **(De functie "RDC" wordt actief gehouden)**

01. Gebruik de drukknop **Omhoog** of **Omlaag** om de zonwering halverwege zijn traject te zetten.
02. Houd de drukknop **Omhoog** ingedrukt totdat de zonwering stopt omdat hij tegen de eindaanslag "0" aanstoot; laat de drukknop vervolgens weer los.
03. Houd de drukknop **Omlaag** ingedrukt en breng de zonwering tot voorbij het vasthaakpunt, en breng hem enkele centimeters verder tot stilstand (corrigeer de positie zonnodig met de twee drukknoppen).
04. Houd de drukknoppen **Omhoog** en **Omlaag** tegelijkertijd ingedrukt en wacht tot de zonwering twee korte bewegingen maakt: één omhoog en (na enkele seconden) één omlaag, totdat hij opnieuw stilhoudt op de zojuist geprogrammeerde positie. Laat de drukknoppen tot slot los.
05. Houd de drukknoppen **Omhoog** en **Omlaag** tegelijkertijd ingedrukt totdat de zonwering een korte stijgbeweging maakt. Laat de drukknoppen tot slot los.
06. Gebruik de drukknoppen **Omhoog** en **Omlaag** nogmaals om de zonwering in de losmaakpositie "S" te brengen.
07. Houd de drukknoppen **Omhoog** en **Omlaag** tegelijkertijd ingedrukt en wacht tot de zonwering twee korte bewegingen maakt: één omhoog en (na enkele seconden) één omlaag, totdat hij opnieuw stilhoudt op de zojuist geprogrammeerde positie. Laat de drukknoppen tot slot los.

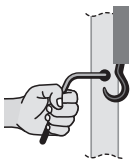


• (Deactiveert tegelijkertijd ook de functie "RDC")

01. Gebruik de drukknop **Omhoog** of **Omlaag** om de zonwering halverwege zijn traject te zetten.
02. Houd de drukknop **Omhoog** ingedrukt en wacht tot de zonwering automatisch tot stilstand komt bij de eindaanslag "0" (laat de drukknop niet los!).
03. Houd, terwijl u de drukknop **Omhoog** nog steeds ingedrukt houdt, ook de drukknop **Omlaag** ingedrukt en wacht tot de zonwering een korte daalbeweging uitvoert, laat tot slot de twee drukknoppen weer los.
04. Houd de drukknoppen **Omhoog** en **Omlaag** tegelijkertijd ingedrukt en wacht tot de zonwering twee korte bewegingen maakt: één omhoog en (na enkele seconden) één omlaag, totdat hij opnieuw stilhoudt op de zojuist geprogrammeerde positie. Laat de drukknoppen tot slot los.
05. Houd de drukknoppen **Omhoog** en **Omlaag** tegelijkertijd ingedrukt totdat de zonwering een korte stijgbeweging maakt. Laat de drukknoppen tot slot los.
06. Gebruik de drukknoppen **Omhoog** en **Omlaag** nogmaals om de zonwering in de losmaakpositie "S" te brengen.
07. Houd de drukknoppen **Omhoog** en **Omlaag** tegelijkertijd ingedrukt en wacht tot de zonwering twee korte bewegingen maakt: één omhoog en (na enkele seconden) één omlaag, totdat hij opnieuw stilhoudt op de zojuist geprogrammeerde positie. Laat de drukknoppen tot slot los.



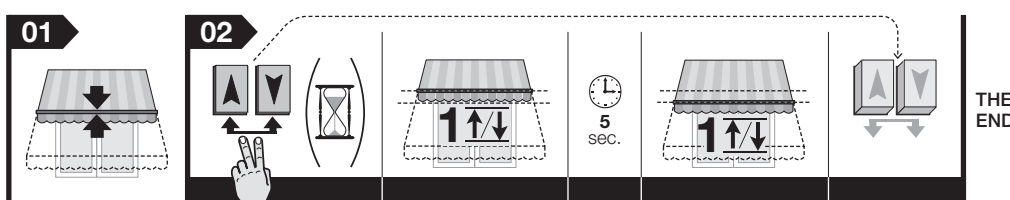
5.8 - Zonwering met **HANDMATIG** vasthaaksysteem van het doek in de openingsbeweging: functie "FTA"



De functie is uitsluitend bestemd voor zonweringen die zijn uitgerust met een handbediend mechanisme om de zonwering in de geopende stand te blokkeren (bijvoorbeeld, het mechanisme dat aanwezig is op zonwering met rechte arm, terrasschermen etc.). De motor laat opslag van meerdere vasthaakposities toe. Als de functie actief is, zal de motor gedurende de sluitmanoeuvre automatisch gestopt worden zo gauw de zonwering het blokkeermechanisme op zijn weg vindt. Om de zonwering vervolgens te deblokken, drukt u op de drukknop **Omlaag**, wacht u tot de zonwering de eindpositie "1" bereikt, deblokkeert u het mechanisme met de hand en sluit u de zonwering met de drukknop **Omhoog**.

Let op! - De functie "FTA" kan pas geprogrammeerd worden nadat u de afstandswaarden van de eindaanslagen "0" en "1" heeft geprogrammeerd. Met actieve "FTA" werkt de functie "RDC" over het hele bewegingstraject van de zonwering.

01. Gebruik de drukknop **Omhoog** of **Omlaag** om de zonwering halverwege zijn traject te zetten.
02. Houd de twee drukknoppen **Omhoog** en **Omlaag** tegelijkertijd ingedrukt en wacht tot de zonwering een korte beweging, een pauze, en een tweede korte beweging uitvoert; laat de drukknoppen tot slot weer los.

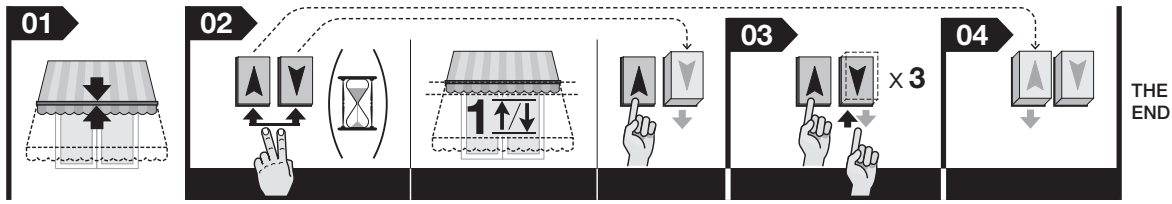


5.9 - Volledig wissen van het geheugen

Let op! – Met deze procedure wist u alle gegevens uit het geheugen van de besturingseenheid. met inbegrip van de posities “0” en “1”.

01. Gebruik de drukknop **Omhoog** of **Omlaag** om de zonwering halverwege zijn traject te zetten.
02. Houd de twee drukknoppen **Omhoog** en **Omlaag** tegelijkertijd ingedrukt en wacht tot de zonwering een kort beweging uitvoert; laat tot slot slechts één van de drukknoppen weer los
03. Druk binnen 3 seconden nadat de zonwering de korte beweging heeft uitgevoerd, 3 maal op de drukknop die eerder, bij punt 02 werd losgelaten.
04. Laat tenslotte ook de andere drukknop los.

Opmerking – Als het wissen correct is gebeurd, zal de zonwering bij aansturing van een beweging omhoog of omlaag **2 korte bewegingen maken** (= geen enkele eindaanslag geprogrammeerd).



6 AANBEVELINGEN VOOR HET DAGELIJKSE GEBRUIK VAN DE AUTOMATISERING

6.1 - Maximale continue bedrijfscyclus

Over het algemeen zijn de buismotoren uit de lijn “Max” ontworpen voor gebruik bij een woning en, ook al garanderen zij een continu gebruik van ten hoogste 4 minuten, voor een niet-voortdurend gebruik. Daarom treedt in geval van oververhitting (bijvoorbeeld tengevolge van een voortdurend en langdurig gebruik) automatisch een motorbeveiliging in werking die de elektrische stroomtoevoer onderbreekt en weer herstelt wanneer de temperatuur opnieuw een normale waarde heeft bereikt.

Wat te doen als... (leidraad bij het oplossen van de problemen)

- Wanneer een elektrische fase wordt gevoed, beweegt de motor niet:**
Sluit de mogelijkheid uit dat er een thermische beveiliging in werking is getreden (in dit geval is het voldoende te wachten tot de motor is afgekoeld), controleer of de netspanning overeenkomt met de gegevens die vermeld zijn in de paragraaf met technische gegevens van deze handleiding, door de energie tussen de “gemeenschappelijke” geleider en de gevoede elektrische fase te meten. Probeer tot slot de tegenovergestelde elektrische fase te voeden.
- Bij het geven van een instructie voor een stijgbeweging, start de motor niet:**
Als de zonwering reeds helemaal of bijna gesloten is, zal de motor de stijgnieuwe niet uitvoeren. In dit geval dient u de zonwering eerst iets omlaag te laten komen en vervolgens opnieuw een instructie voor een beweging omhoog te geven.
- Het systeem werkt in de noodconditie (“persoon aanwezig”):**
 - Controleer of de motor een sterke elektrische of mechanische schok heeft ondergaan.
 - Controleer of alle motoronderdelen nog intact zijn.
 - Voer de procedure voor het wissen van gegevens uit (paragraaf 5.9) en programmeer de eindaanslagen opnieuw.

Afvalverwerking van het product

Dit product is integrerend deel van de automatisering die het aanstuurt en moet dus samen daarmee worden naar de afvalverwerking gestuurd.

Wanneer de levensduur van dit product ten einde is, dienen, zoals dit ook bij de installatiewerkzaamheden het geval is, de ontmantelingswerkzaamheden door gekwalificeerde technici te worden uitgevoerd.

Dit product bestaat uit verschillende soorten materialen: sommige daarvan kunnen opnieuw gebruikt worden, terwijl andere als afval verwerkt dienen te worden. Win inlichtingen in over de methoden van hergebruik of afvalverwerking in en houd u aan de plaatselijk voor dit soort producten van kracht zijnde voorschriften.

Let op! - sommige onderdelen van het product kunnen vervuilde of gevaarlijke stoffen bevatten: indien die in het milieu zouden verdwijnen, zouden ze schadelijke gevolgen voor het milieu en de menselijke gezondheid kunnen opleveren.

Zoals dat door het symbool hiernaast is aangegeven, is het verboden dit product met het gewone huisafval weg te gooien. Scheid uw afval voor verwerking op een manier zoals die in de plaatselijke regelgeving is voorzien of lever het product bij uw leverancier in, wanneer u een nieuw gelijksoortig product koopt.

Let op! - de plaatselijke regelgeving kan in zware straffen voorzien in geval van illegale dumping van dit product.



Technische kenmerken

Voedingsspanning: 230 Vac - 50 Hz

Opgenomen vermogen in stand-by: 0,5 W

Resolutie van de encoder: 2,7°

Continue werkingstijd: 4 min

Lengte van de aansluitkabel: 2,5 m

Werkings temperatuur: -20°C

Beschermingsklasse IP: IP 44

N.B.:

– Alle technische gegevens hebben betrekking op een omgevingstemperatuur van 20°C (± 5°C).

– Nice S.p.a. behoudt zich het recht voor op elk gewenst moment en zonder voorbericht wijzigingen in haar producten aan te brengen, waarbij gebruiksbestemming en functionaliteit echter gehandhaafd blijven.

EG-verklaring van overeenstemming

Hierbij verklaart Nice S.p.A. dat de producten: **E Star ST 324, E Star ST 524, E Star ST 611, E Star ST 1011, E Star ST 430, E Star MT 1030, E Star MT 817, E Star MT 1517, E Star MT 3017, E Star MT 4012, E Star MT 5012, E Star LT** voldoen aan de fundamentele vereisten en aan de andere van toepassing zijnde bepalingen die zijn vastgelegd met de richtlijnen **2006/95/EG, 2004/108/EG**. De EG-verklaring van overeenstemming kan worden ingezien en afgedrukt via de site www.nice-service.it of kan worden aangevraagd bij Nice S.p.A.

lr. Luigi Paro
(Gedelegeerd Bestuurder)

EN - Appendix

IT - Appendice

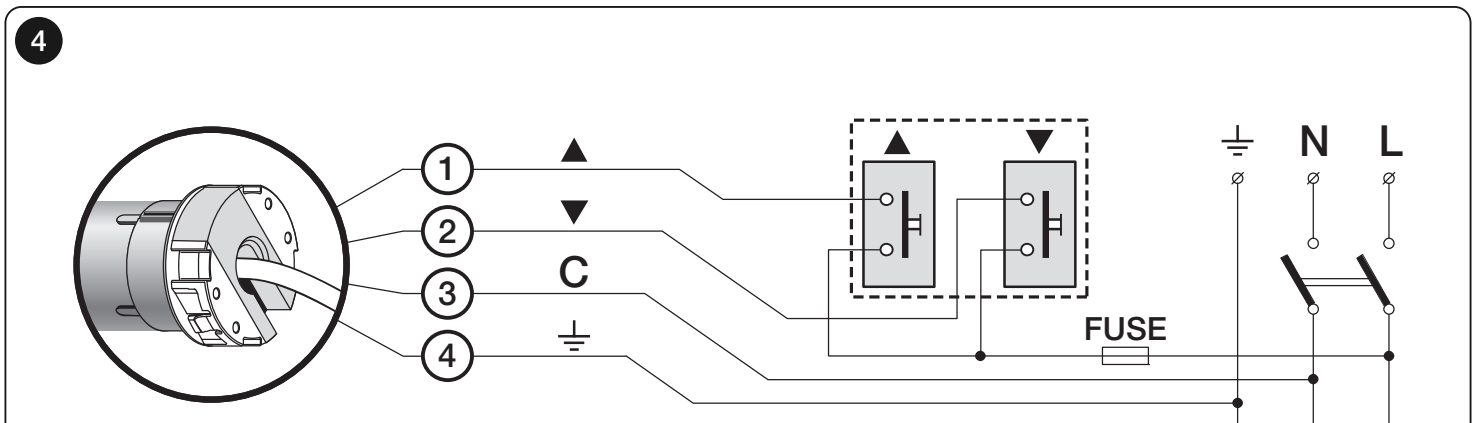
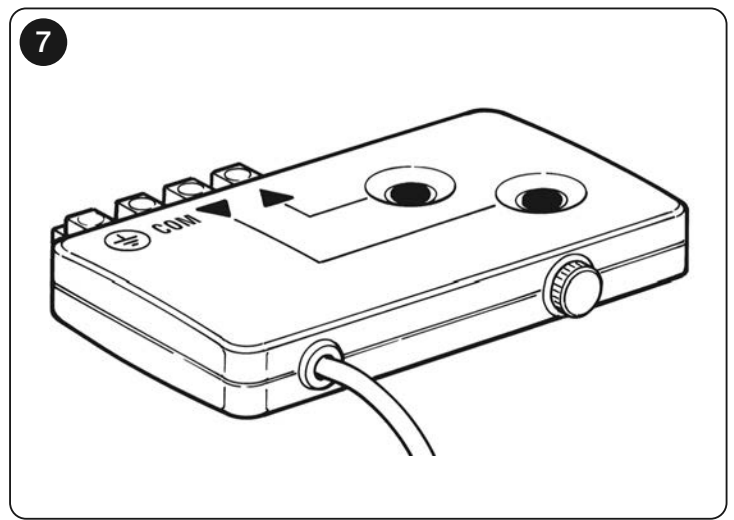
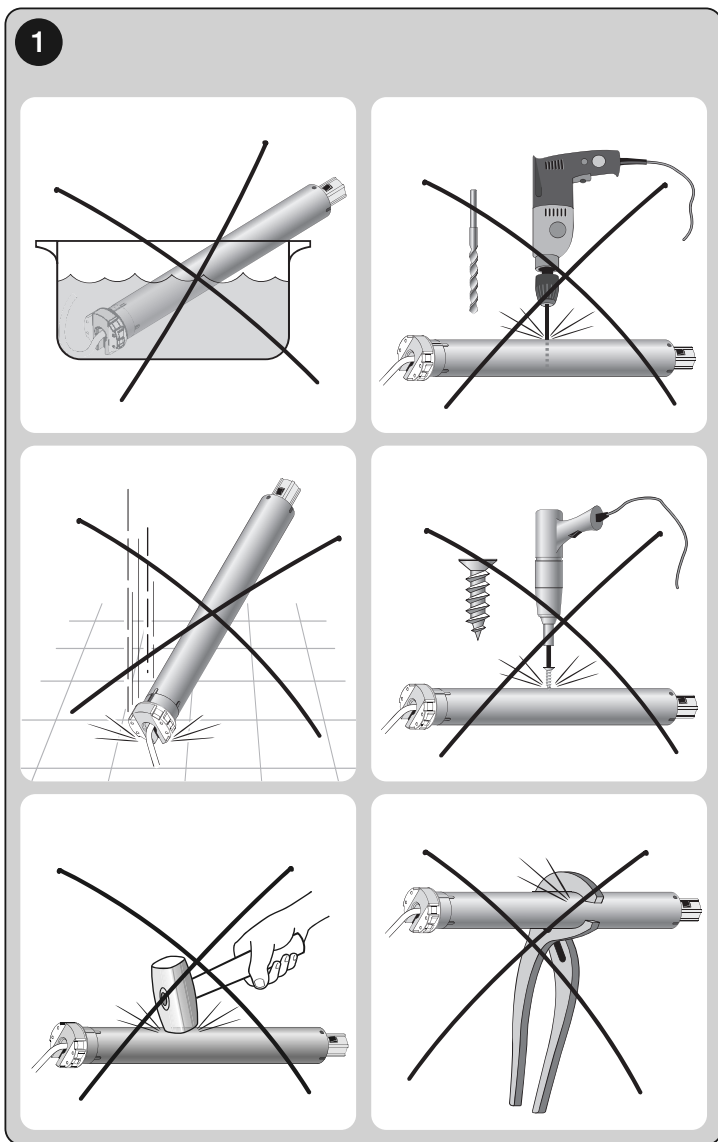
FR - Appendice

ES - Apéndice

DE - Anhang

PL - Załącznik

NL - Bijlage

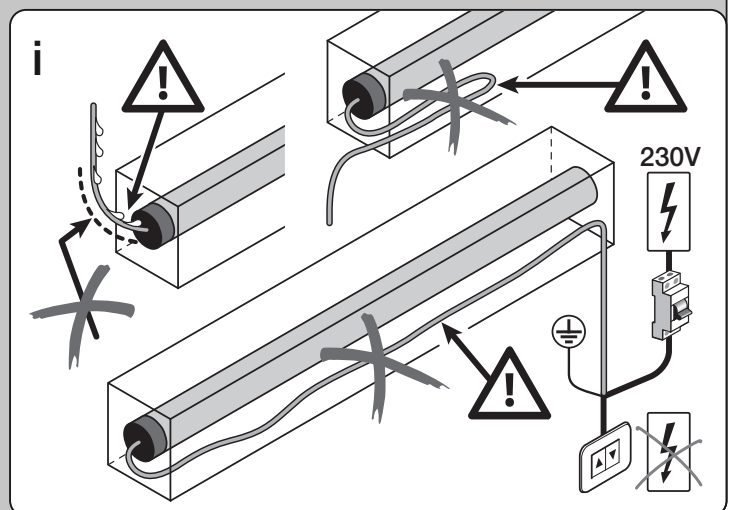
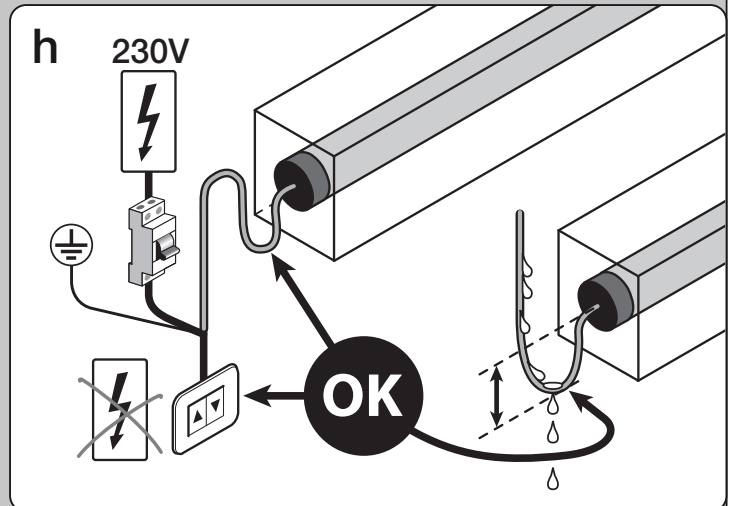
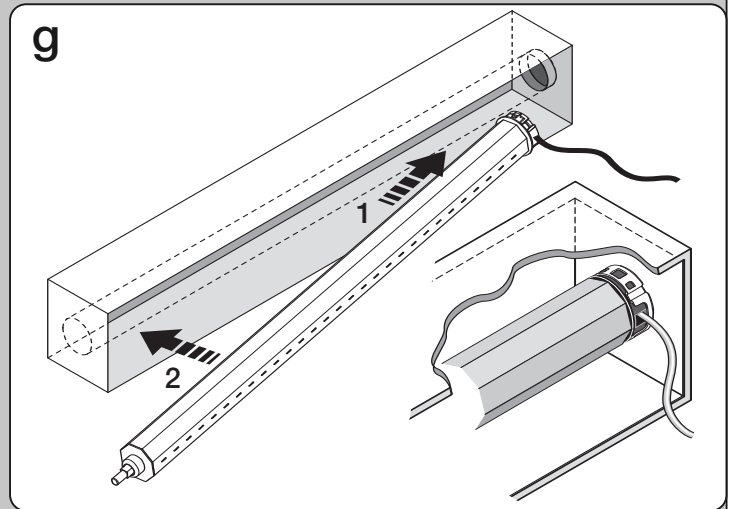
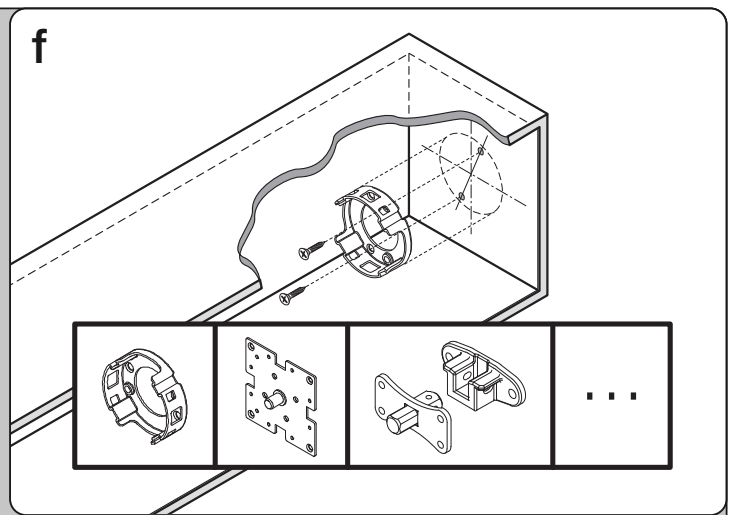
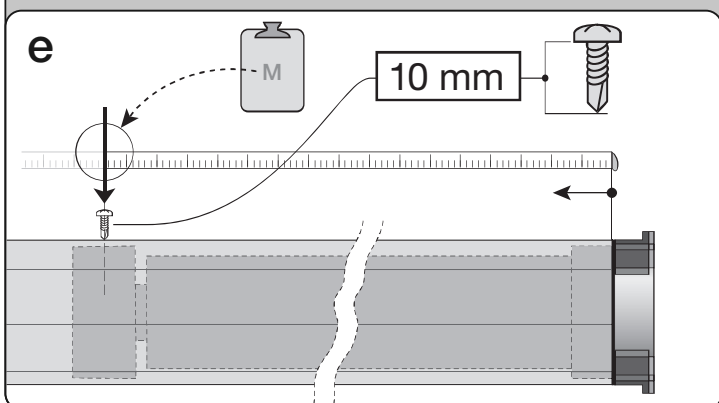
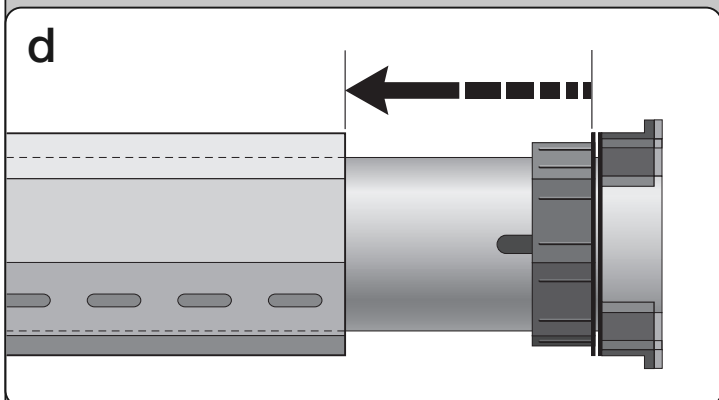
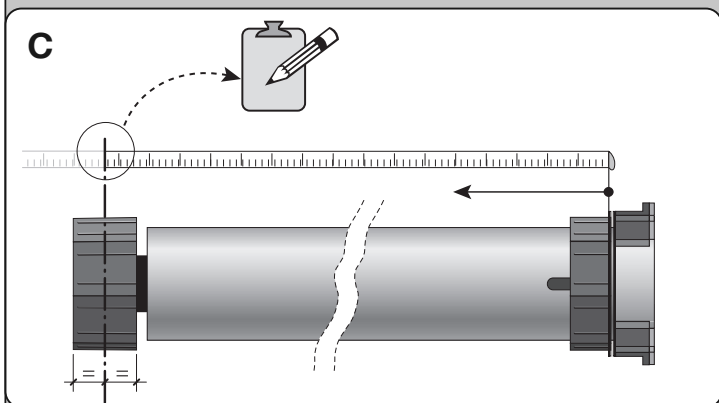
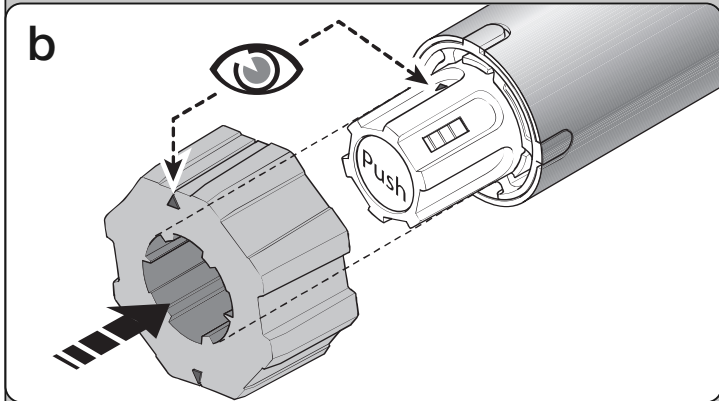
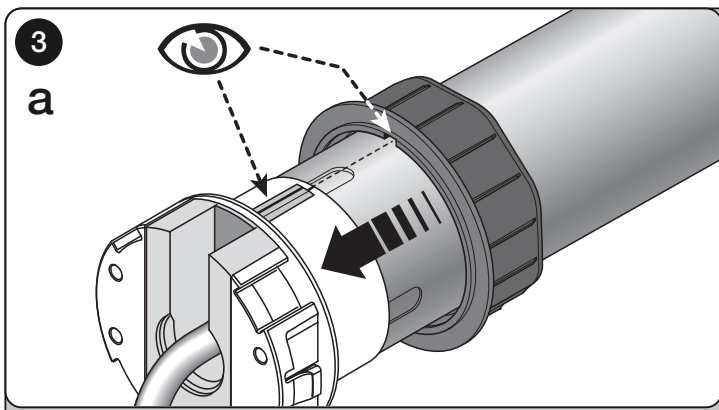


1 - • Brown • Marrone • Marron • Marrón • Braun • Brązowy • Bruin

2 - • Black • Nero • Noir • Negro • Schwarz • Czarny • Zwart

3 - • Blue • Blu • Bleu • Azul • Blau • Niebieski • Blauw

4 - • Yellow-green (does not exist in the E Star ST engine) • Giallo-verde (non esiste nel motore E Star ST) • Jaune-vert (ne existe pas dans le moteur E Star ST) • Amarillo-verde (no existe en el motor E Star ST) • Gelb-grün (nicht im Motor E Star ST existieren) • Żółto-zielony (nie istnieje w E Star ST silnika) • Geel-groen (bestaat niet in de E Star ST motor)





Nice SpA
Oderzo TV Italia
info@niceforyou.com

www.niceforyou.com